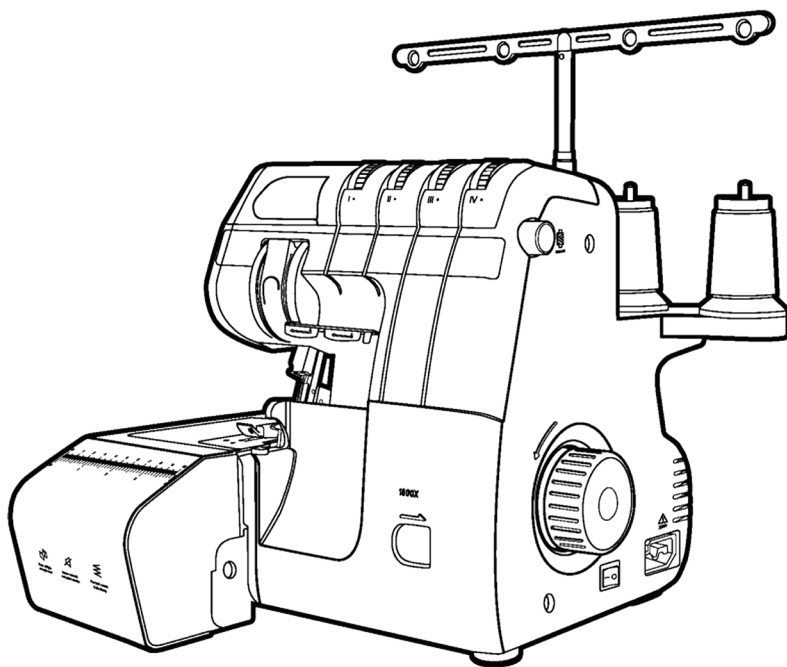




# TRIUMPHATOR 1700X / 1800X

DOMESTIC OVERLOCK MACHINE



**EN** USER MANUAL

**RU** РУКОВОДСТВО ПОЛЬЗОВАТЕЛЯ

**ES** MANUAL DE USUARIO

**FR** MANUEL DE L'UTILISATEUR

**DE** BENUTZERHANDBUCH

**IT** MANUALE D'USO

**EN**
**CONTENTS**

1. Principal parts (names) .....	6
2. Accessories that come with the overlock .....	8
3. Needle .....	9
4. How to remove the frontal lid .....	9
5. Beginning to sew .....	10
6. Foot pedal .....	10
7. Using the free arm .....	11
8. Stitch length regulator.....	11
9. Stitch width regulator .....	11
10. Differential feed .....	13
11. Assembling the thread stand.....	15
12. Thread spool conservers .....	15
13. Spool of thread net.....	15
14. Thread tension release button.....	16
15. Threading the upper looper.....	16
16. Threading the lower looper.....	17
17. Using the automatic lower looper threading mechanism.....	17
18. Threading the left needle .....	18
19. Threading the right needle.....	19
20. Chart with combinations of fabrics, threads and needles .....	20
21. Thread tension adjustment .....	21
22. Tension adjustment chart (two-needle overlocks).....	22
23. Beginning to sew .....	23
24. Chain stitching .....	24
25. Thread breakage during sewing .....	24
26. Adjusting the pressure of the presser foot on the fabric .....	25
27. Malfunctions and troubleshooting.....	26
28. Rolled and narrow hem .....	27
29. Rolled and narrow hem sample chart.....	29
30. Using different presser feet .....	30
31. Removing the upper knife.....	32
32. Switching the knife.....	32
32. Convert upper looper to 2 thread serging.....	33
33. Cleaning and lubrication .....	34
34. Changing the backlight lamp .....	35
35. Machine specifications .....	36

**RU**
**ОГЛАВЛЕНИЕ**

1. Наименование основных частей .....	40
2. Аксессуары, поставляемые в комплекте с оверлоком .....	42
3. Игла .....	43
4. Как снять переднюю крышку .....	43
5. Начало шитья.....	44
6. Ножная педаль.....	44
7. Использование рукавной платформы.....	45
8. Регулировка длины стежка.....	45
9. Регулировка длины строчки.....	45
10. Дифференциальная подача ткани .....	46
11. Установка стойки нитенаправителя.....	49
12. Ограничители для катушки ниток .....	49
13. Сетка для катушки ниток .....	49
14. Кнопка ослабления натяжения нити.....	50
15. Заправка верхнего петлителя.....	50
16. Заправка нижнего петлителя.....	51
17. Использование механизма автоматической заправки нити нижнего петлителя.....	51
18. Заправка левой иглы .....	52
19. Заправка правой иглы.....	53
20. Таблица комбинаций тканей, нитей и игл.....	54
21. Регулировка напряжения нити .....	55
22. Таблица регулировки натяжения (двухгольные оверлоки).....	55
23. Пробное шитье.....	57
24. Выполнение цепного стежка .....	58
25. Обрыв нити в процессе шитья.....	58
26. Регулировка давления прижимной лапки на ткань .....	59
27. Неисправности и методы их устранения.....	60
28. Ролевой и узкий подрубочный шов.....	61
29. Использование различных прижимных лапок .....	64
30. Снятие верхнего ножа .....	66
31. Замена ножа .....	66
32. Конвертер верхнего петлителя для проведения 2-ниточной обметки ткани.....	67
33. Чистка и смазка .....	68
34. Замена лампы подсветки.....	69
35. Спецификация машины .....	70

**ES**
**TABLA DE CONTENIDO**

1. Nombre de las partes principales .....	74
2. Accesorios suministrados en el set.....	76
3. Aguja .....	77
4. Cómo quitar la cubierta frontal .....	77
5. Empezar a coser .....	78
6. Pedal .....	78
7. Usando la plataforma de mangas.....	79
8. Ajuste de la longitud de la puntada.....	79
9. Ajuste de la longitud de la puntada.....	79
10. Alimentación diferencial de tejidos.....	80
11. Instalación del bastidor de guía de hilo.....	83
12. Guías de hilo .....	83
13. Red de hilo .....	83
14. Botón de liberación de tensión del hilo .....	84
15. Enhebrado del áncora superior.....	84
16. Enhebrado del áncora inferior.....	85
17. Utilizar el mecanismo automático Enhebrado de bucle inferior.....	85
18. Enhebrado de la aguja izquierda .....	86
19. Enhebrar la aguja derecha.....	87
20. Tabla de combinaciones de tejidos, hilos y agujas .....	88
21. Ajuste de la tensión del hilo.....	89
22. Tabla de ajuste de tensión (overlock de doble cabeza).....	89
23. Costura de prueba.....	91
24. Costura de cadena .....	92
25. Rotura del hilo durante el proceso de.....	92
26. Regulación de presión del prensatelas sobre tela.....	93
27. Fallas y solución de problemas.....	94
28. Costuras de dobladillo enrolladas y estrechas.....	95
29. Utilizar diferentes tipos de prensatelas.....	98
30. Extracción de la cuchilla superior .....	100
31. Reemplazo de la cuchilla .....	100
32. Para convertir el corchete superior de 2 hilos.....	101
33. Limpieza y lubricación.....	102
34. Sustitución de la bombilla .....	103
35. Información técnica .....	104

**FR**
**TABLA DE CONTENIDO**

1. Nom des parties principales .....	108
2. Accessoires fournis avec la surjeteuse.....	110
3. Aiguille .....	111
4. Comment retirer le capot avant .....	111
5. Début de la couture.....	112
6. Pédale rheostat.....	112
7. Utilisation de la plateforme pour manche.....	113
8. Réglage de la longueur de point.....	113
9. Réglage de la largeur de point .....	113
10. Alimentation différentielle.....	114
11. Installation de l'antenne du guide-fil.....	117
12. Bloque-bobines.....	117
13. Filet de protection pour bobine de fil.....	117
14. Molette de relâchement de la tension du fil.....	118
15. Enfilage du boucleur supérieur.....	118
16. Enfilage du boucleur inférieur.....	119
17. Utilisation du mécanisme automatique d'enfilage du boucleur inférieur.....	119
18. Enfilage de l'aiguille gauche .....	120
19. Enfilage de l'aiguille droite .....	121
20. Tableau de comparaison des tissus, fils et aiguilles.....	122
21. Réglage de la tension du fil.....	123
22. Tableau de réglage de la tension du fil (surjeteuse à deux aiguilles).....	123
23. Test de couture .....	125
24. Réalisation d'un point de chaînette .....	126
25. Au cas où le fil se casserait pendant la.....	126
26. Réglage de la pression du pied presseur sur le tissu.....	127
27. Dysfonctionnements et moyens de.....	128
28. Point d'ourlet roulé / de surjet étroit.....	129
29. Utilisation de différents pieds presseurs .....	132
30. Retrait du couteau supérieur.....	134
31. Changement du couteau .....	134
32. Convertir l'enrouleur supérieur pour surjet 2 fils.....	135
33. Nettoyage et graissage .....	136
34. Changement de la lampe d'éclairage.....	137
35. Caractéristiques techniques .....	138

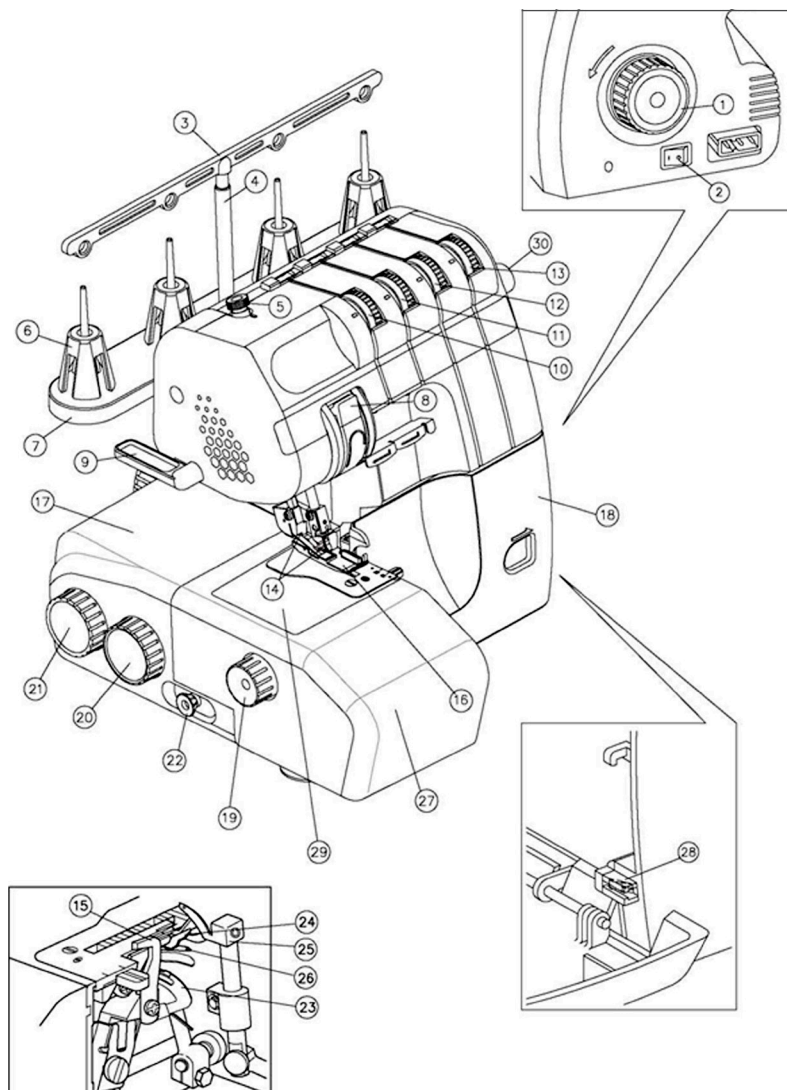
**DE** TABLA DE CONTENIDO

1. Nom des parties principales .....	142
2. Mitgeliefertes zubehör für die overlock.....	144
3. Nadel.....	145
4. Wie sie die frontabdeckung entfernen .....	145
5. Beginn des nähens.....	146
6. Fußedal.....	146
7. Verwendung des freiarmes.....	147
8. Stichlänge einstellen:.....	147
9. Nahtlänge einstellen .....	147
10. Differenzialer stofftransport.....	148
11. Einstellen der fadenführungstragstange.....	151
12. Stopper für die fadenrolle .....	151
13. Gitter für fadenrolle .....	151
14. Fadenspannungs-löseknopfl.....	152
15. Bestücken des oberen schleifengänge rs.....	152
16. Bestücken des unteren schleifengänge rs.....	153
17. Benutzung des automatischen bestückungssystems des unteren schleifenfängers .....	153
18. Einfädeln der linken nadel.....	154
19. Einfädeln der rechten nadel.....	155
20. Tabelle der stoff-, faden- und nadelkombinationen .....	156
21. Einstellen der fadenspannung .....	157
22. Spannungseinstelltabelle (doppelnadel- overlock-maschinen).....	157
23. Versuchs nähén .....	159
24. Nähen eines kettenstichs .....	160
25. Fadenbruch beim nähén .....	160
26. Einstellen des andrucks der stoffstange .	161
27. Störungen und fehlersuche.....	162
28. Roll- und schmale saumnaht.....	163
29. Verwendung unterschiedlicher Stoffstangen .....	166
30. Entfernen des obermessers .....	168
31. Messerersatz.....	168
32. Oberer schleifengängerkonverter für 2-faden säumen des stoffes.....	169
33. Reinigung und schmierung .....	170
34. Auswechseln der beleuchtungslampe.....	171
35. Maschinenspezifikation .....	172

**IT** TABLA DE CONTENIDO

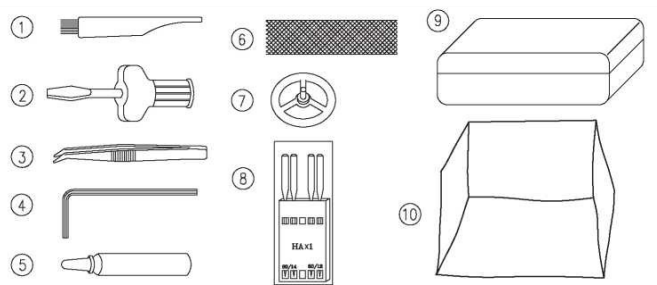
1. I nomi delle parti principale .....	176
2. Accessori in dotazione con overlock .....	178
3. Ago .....	179
4. Come togliere il coperchio anteriore .....	179
5. L'inizio di cucitura .....	180
6. Interruttore a pedale .....	180
7. L'uso della piattaforma.....	181
8. Regolazione della lunghezza del punto ...	181
9. Regolazione della lunghezza del.....	181
10. Differenziale di avanzamento del tessu to.....	182
11. L'installazione di banchi al guidafile con..... .....	185
12. Limitatori per bobine di filo.....	185
13. Maglia per bobine di filo.....	185
14. Pulsante di allentamento della tension.....	186
15. Ricarica superiore looper.....	186
16. Ericarica bobina inferiore .....	187
17. L'uso di un meccanismo automatico di rifornimento filo bobina inferiore.....	187
18. Ericarica dell'ago sinistro.....	188
19. Ricarica dell' ago destro.....	189
20. Tabella combinazioni di tessuti, fili e aghi..... .....	190
21. Regolazione della tensione del filo.....	191
22. Tabella di regolazione della tensione (due aghi zig zag) .....	191
23. Prova cucito.....	193
24. Rl'esecuzione di catenella.....	194
25. Rottura del filo durante la cucitura .....	194
26. Regolazione della pressione del piedino premistoffa .....	195
27. Malfunzionamenti e tecniche per la loro risoluzione.....	196
28. Cucitura di ruolo e a taglio.....	197
29. L'utilizzo di diversi tipi di pressione Del piedino .....	200
30. Rimozione del coltello superiore .....	202
31. Sostituzione del coltello .....	202
32. Il convertitore del crochet superiore per eseguire il sopraggitto a 2 fili.....	203
33. Pulizia e lubrificazione.....	204
34. Sostituzione della lampadina.....	205
35. Informazioni tecniche .....	206

## PRINCIPAL PARTS (NAMES)

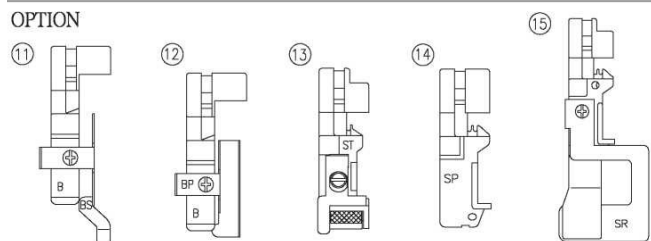


1. Handwheel
2. Power/backlight switch
3. Thread guide
4. Thread guide support rod
5. Presser foot adjusting screw
6. Spool retainer
7. Spool holder
8. Thread guide lid
9. Pressure foot lifter
10. Left needle thread tension regulator
11. Right needle thread tension regulator
12. Upper looper thread tension regulator
13. Lower looper thread tension regulator
14. Needles
15. Upper knife
16. Presser foot
17. Fabric placement platform
18. Front lid
19. Stitch width regulator
20. Stitch length regulator
21. Differential feed regulator
22. Upper knife regulating knob
23. Lower looper thread guide
24. Feed dog rack gear
25. Upper looper
26. Lower looper
27. Sleeve platform
28. Microfuse
29. Sleeve platform lid
30. Instant thread tension release button

## ACCESSORIES THAT COME WITH THE OVERLOCK



### OPTION



The numbers in the illustrations correspond to the numbers of the sewing accessories:

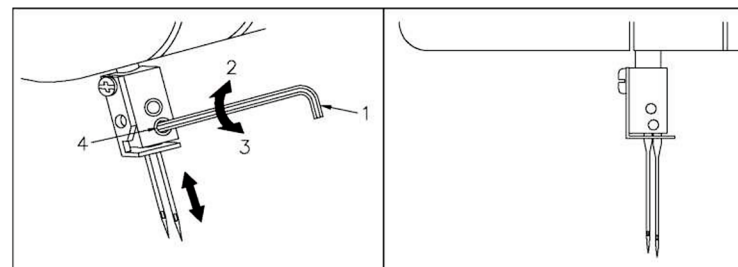
- |  |   |
|--|---|
| 1. Brush   | 10. Overlock case:<br>Optional (is not included, sold separately) |
| 2. Screwdriver   | 11. Blindstitch foot  |
| 3. Tweezers  | 12. Bead/sequin sewing foot                                       |
| 4. Hex-key   | 13. Stretch stitch foot   |
| 5. Oiler   | 14. Bias binding foot   |
| 6. Nets (4)  | 15. Gathering foot  |
| 7. Spool of thread saver (4)                           |   |
| 8. Set of needles: Hax1.80 / 12: 2 pcs. 90/14: 2 pcs.. |   |
| 9. Sewing box  |   |

## NEEDLE

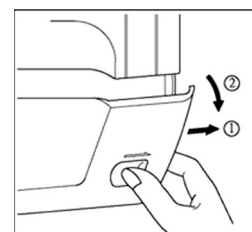
This overlock is designed to work with standard needles. Use needles type: HAx1 (130/70SH)

### SWITCHING THE NEEDLE

1. Turn the handwheel towards you to bring the needle to its highest position.
2. Loosen the needle clamp screw with the supplied hex-key.
3. Insert a new needle into the needle holder (flat side facing away from you) as far as it will go.
4. Tighten the needle clamp screw.



## HOW TO REMOVE THE FRONT LID



To remove the front lid, slide it as far to the right as possible, as shown in fig. 1.

Pull the lid towards you, as shown in fig. 2

**△ ATTENTION!**

Before you begin to work make sure the front lid is in place!

**BEGINNING TO SEW**

Connect the overlock to the mains. Pull the power switch to the "1" position. When the overlock is turned on, the indicator light will switch on.

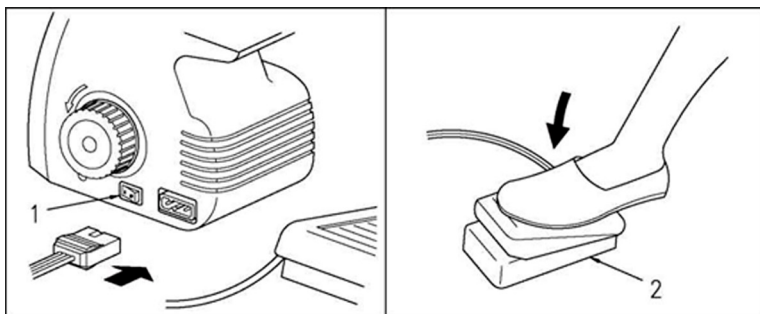
To turn off the overlock, pull the power switch to the "0" position. In this case, the indicator light will switch off.

The motor of the unit cannot perform its work if the front lid of the overlock is removed.

**FOOT PEDAL**

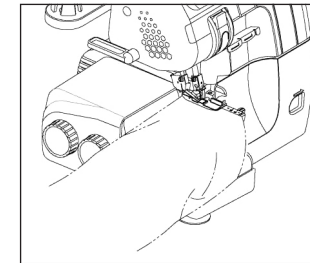
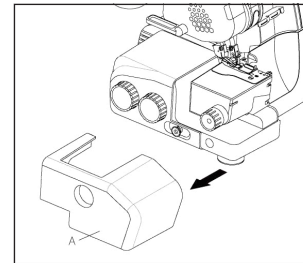
Meant to regulate sewing speed.

1. Power switch
2. Foot pedal

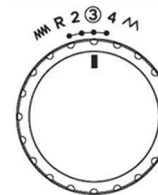


**USING THE FREE ARM**

1. Slide lid A to the left.
2. Place the sleeve or cuff over the narrow free arm to begin work.



**STITCH LENGTH REGULATOR:**



1. For most of the sewing, the stitch length adjustment knob should be set to the 3 mm (7/64 inch) mark.
2. When working with thicker fabrics, set the stitch length knob to the 4 mm (5/32 inch) mark.

**STITCH WIDTH REGULATOR**

**Two-needle overlocks**

- (1) To narrow the stitch width, turn up the stitch width regulator next to the removable cover. To increase the stitch width, turn this knob down.

The stitch width can be adjusted from R 4.5 mm (11/64 ") to 7 mm (9/32").

The standard stitch width for normal overlock stitching is 5 mm (13/64 inches).

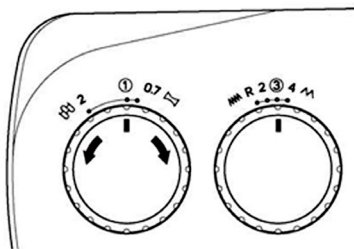


## DIFFERENTIAL FEED ADJUSTMENT

To achieve the desired feed speed, adjust the differential feed regulator as shown in the illustration below.

The differential feed can be adjusted from 0.7 to 2.0.

The default is 1.0.



PURPOSE AND ACHIEVED EFFECT	FEED TYPE	MAIN FABRIC FEEDER (BACK RAIL)	DIFFERENTIAL FEEDING MECHANISM (FRONT RAIL)	CONFIGURATION
Prevention of wavy stitching. Gathering fabric	Differential feed with a positive value			1,0 - 2,0
No differential feed	Neutral feed			1,0
Preventing tissue jams	Differential feed with a negative value			0,7 - 1,0

## DIFFERENTIAL FEED

The differential feed mechanism is used to prevent wavy stitching and fabric jams.

Also, this mechanism allows you to gather fabrics.

### JAMMED FABRICS

Jams are common with woven or lightweight fabrics. For even seams, set the differential feed regulator below Level 1.

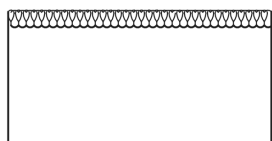
### WAVE STITCHES

Wavy stitches may occur when sewing knitted or elastic fabrics. To prevent wavy stitches, set the differential feed regulator below Level 1.

### GATHERING FABRIC

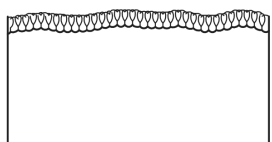
The differential feed mechanism makes it easier to gather lightweight fabrics. Use it to sew waist seams, seam sleeves, hem sleeves and cuffs, etc.

For best results when gathering fabrics, set the differential feed control between the 1.5 and 2 marks.



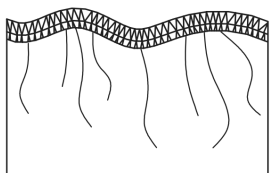
#### FLAT SEAM

Clothing without wavy lines



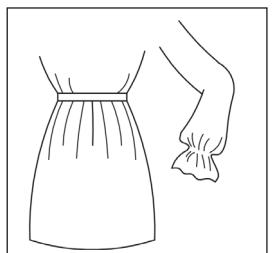
#### UNEVEN SEAM

Fabric Jam (No Gathering)



#### WAVY SEAM

Wavy edge fabrics (without jamming)

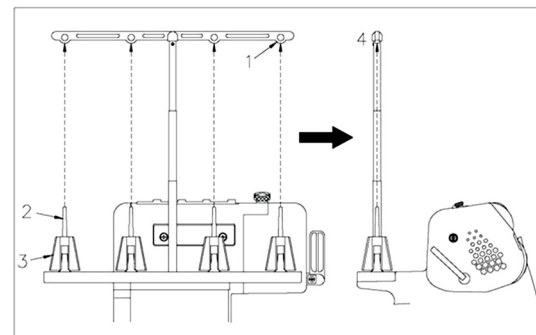


#### GATHER

Gathering fabrics

### ASSEMBLING THE THREAD STAND

The overlock comes with the thread guide stand in the lowest position. Raise the thread guide stand to the highest position. Then adjust the position of the thread guide.



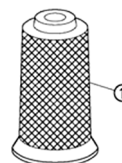
### THREAD SPOOL CONSERVERS



The conserver is used to fix the thread spool on the overlock rod.

1. Thread spool conserver.

### THREAD SPOOL NET



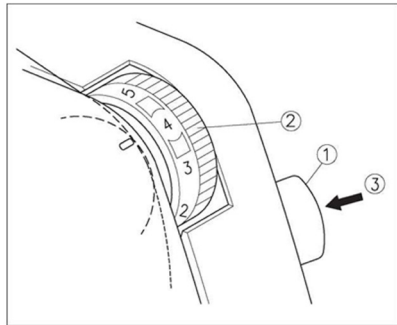
Loosely wound polyester or nylon threads will loosen when they come off the spool. To maintain a constant feed rate of such threads, put a net over the spool.

1. Net.



## THREAD TENSION RELEASE BUTTON

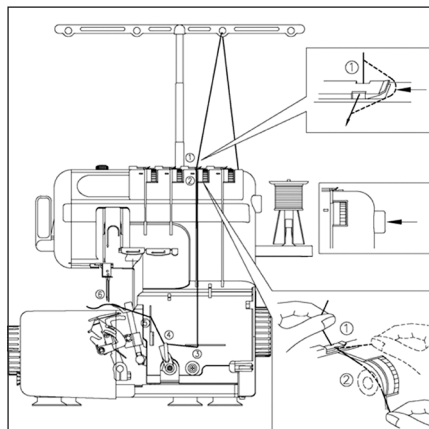
The overlock is equipped with a button to instantly release the thread tension. When rethreading the threads, follow these steps:



1. Press the thread tension release key located to the right of the tension adjustment knob.
2. Pass the thread through the tension control dial located in the groove behind the tension adjustment knob.
3. Press the button.

## THREADING THE UPPER LOOPER

Thread the upper looper as shown in the diagram (positions 1-6).

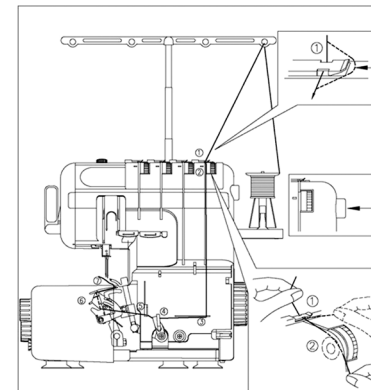


1. Draw the thread from the spool and pull it towards you through the thread guide hole on the stand.
2. Pass the thread through the thread guide (position 1).
3. Then thread the thread into the slit and guide it through the tension control wheel, next to the tension regulating knob (position 2).

4. Pull the thread towards the upper looper through the thread guides 3-5 marked green on the overlock casing.
5. Pass the thread through the hole in the upper looper away from you (see position 6).

## THREADING THE LOWER LOOPER

Thread the lower looper as shown in the diagram (positions 1-7).

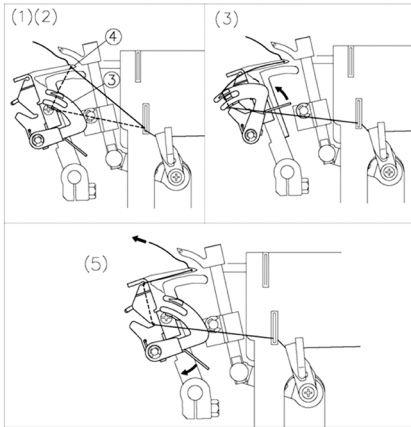


1. Draw the thread from the spool and pass it towards you through the thread guide hole on the stand.
2. Pass the thread through the thread guide (position 1).
3. Then thread the thread into the slit and guide it through the tension control wheel, next to the tension regulating knob (position 2).

4. Pull the thread towards the lower looper through the thread guides 3-7 marked in blue on the overlock body.
6. Pass the thread through the hole in the lower looper away from you (see position 6).

## USING THE AUTOMATIC LOWER LOOPER THREADING MECHANISM

1. Pass the thread through the hole of the lower looper (position 1-2).
2. Pass the thread by the needle threading knob (position 3).



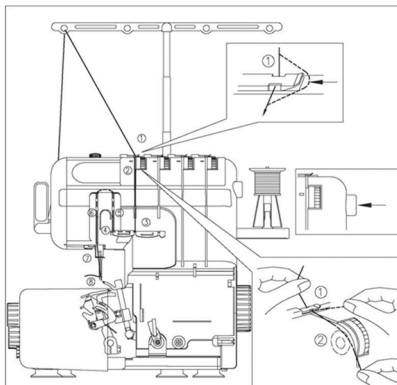
3. Pull the lower looper threading knob (position 5) to its highest position so that it's parallel to the blue mark.
4. Release the lower looper threading knob (position 5) and then pull the thread out from the backside of the foot.

**BE CAREFULL NOT TO MIX UP THE THREADS!**

Pull the threads so that the lower looper thread is under the upper looper thread.

**THREADING THE LEFT NEEDLE**

Thread the left needle as shown in the diagram (positions 1-8).

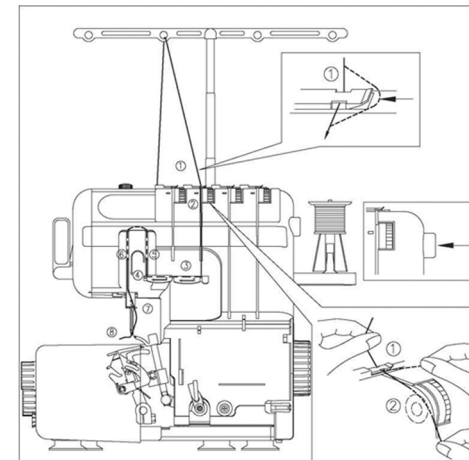


1. Draw the thread from the spool and pass it towards you through the thread guide hole on the stand.
2. Pass the thread through the thread guide (position 1).
3. Then thread the thread into the slit and guide it through the tension control wheel next to the tension adjustment knob (position 2).

4. Pass the thread as in positions 3-5.
5. When passing the thread through position 6, guide it down so that it passes through the thread guide (position 7), then thread the thread through the left needle (position 8).

**THREADING THE RIGHT NEEDLE**

Thread the left needle as shown in the diagram (positions 1-8).



1. Draw the thread from the spool and pass it towards you through the thread guide hole on the stand.
2. Pass the thread through the thread guide (position 1).
3. Then thread the thread into the slit and guide it through the tension control wheel next to the tension adjustment knob (position 2).
4. Pass the thread as in positions 3-5.
5. When passing the thread through position 6, guide it down so that it passes through the thread guide (position 7), then thread the thread through the right needle (position 8).

## CHART WITH COMBINATIONS OF FABRICS, THREADS AND NEEDLES

FABRIC		STITCH TYPE	STITCH LENGTH (MM)	THREAD	NEEDLE
Light weight fabrics	Crepe de chine, Georgette, linen, Organza, Jersey	Overlock stitching	2,0 - 3,0	Synthetic fiber: №80 cotton: №80, 100 silk: №80, 100	HAx1 №70 №80
Light weight fabrics	Crepe de chine, Georgette, Batiste, Organza	Narrow/rolled hem	Less than 2,0	Needle thread: polyester: №80 nylon: №80 Looper thread: polyester: №80 nylon: №80 Combined threads from wool and nylon	HAx1 №70 №80
Mid weight fabrics	Poplin, Guiném, Seersucker, Gabardine, Twill, Jersey	Overlock stitching	2,5 - 3,5	Synthetic fiber: №60, 80 cotton: №60, 80 silk: №50, 80 nylon: №50, 80 polyester: №50, 80	HAx1 №80 №90
Thick fabrics	Cashemere, Tweed denim	Overlock stitching	3,0 - 4,0	Cotton: №40, 60 silk: №40, 60 nylon: №30, 60	HAx1 №90

**△ NOTE:**

For decorative sewing, it is recommended to thread decorative threads into the upper looper.

## THREAD TENSION ADJUSTMENT

As the tension regulator is turned towards the higher numbers the tension will increase accordingly.

As the tension regulator is turned towards the lower numbers the tension will decrease accordingly.

Check the tension of each thread on a sample of the fabric you are going to work with.



For most of the work the regulator can be set at «4».

**△ NOTE:**

If you cannot choose the proper thread tension, refer to the following illustrations.

## TENSION ADJUSTMENT CHART (TWO-NEEDLE OVERLOCKS)

A Back(wrong) side

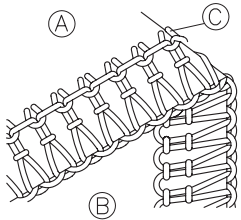
B Front(right) side

C Left needle thread

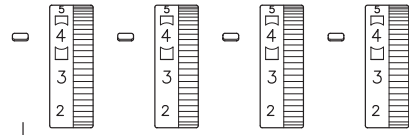
D Right needle thread

E Upper looper thread

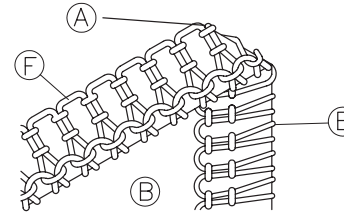
F Lower looper thread



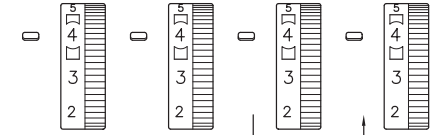
Insufficient tension of the left needle thread



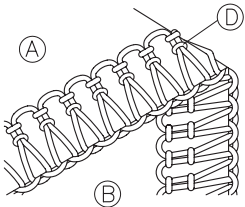
Increase the left needle thread tension



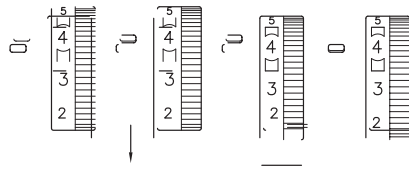
Upper looper thread tension is not sufficient. Excessive lower looper thread tension



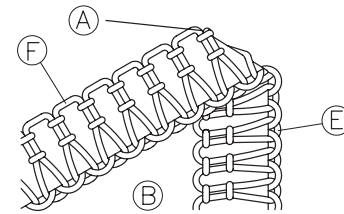
Increase the upper looper thread tension



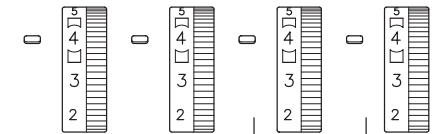
Insufficient tension of the right needle thread



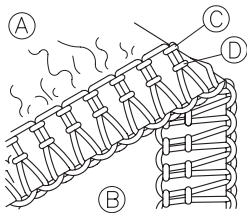
Increase the right needle thread tension



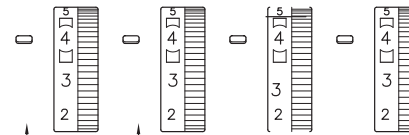
Insufficient upper looper thread tension.



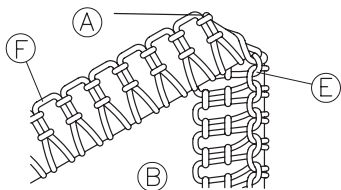
Increase the lower looper thread tension



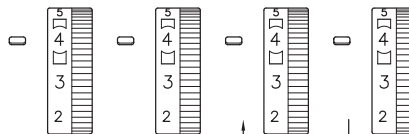
Excessive tension of the left needle thread



Loosen the tension of the left needle thread

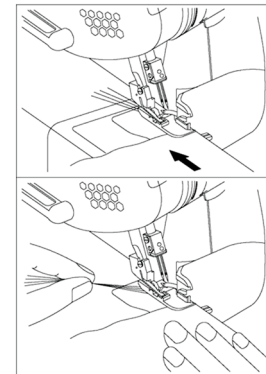


Upper looper thread is too tight. Insufficient tension of the lower looper



Loosen the upper looper thread tension

## BEGINNING TO SEW



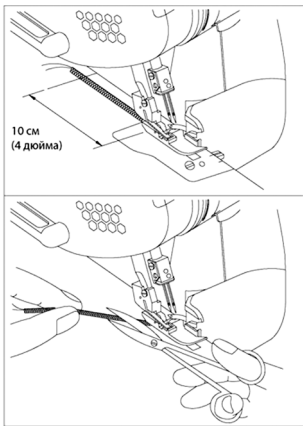
After threading the threads correctly, you can begin your trial sew.

1. Raise the presser foot and place the fabric sample underneath. Lower the presser foot and start sewing. Do not raise the presser foot while the overlock is in operation, as the stitching will be uneven.
2. Before pressing the foot pedal, with your right hand, turn the handwheel counter clockwise while holding the end of the thread with your left hand.

At the same time check the operating mode of the overlock.

3. Gently press the foot pedal.

## CHAIN STITCHING



When you have completed your trial sew, keep pressing the foot control to continue sewing over the edge of the fabric by about 10 cm (4 inches).

The overlock will automatically perform a chain stitch.

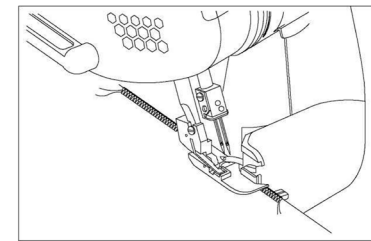
- Uneven thread tension will result in an uneven chain stitch.

In this case, while holding the end of the thread with your hand, check that the thread is threaded correctly and adjust the tension. The chain stitch will run smoothly after the adjustment.

## THREAD BREAKAGE WHILE SEWING

- If the thread breaks during your work, remove the fabric from under the presser foot and then thread in the correct order:

1. Thread the upper looper, lower looper and right needle.
2. Then thread the left needle, after which place the fabric under the presser foot so that there is 3-5cm of thread left up to the break point.
3. Proceed with your work.



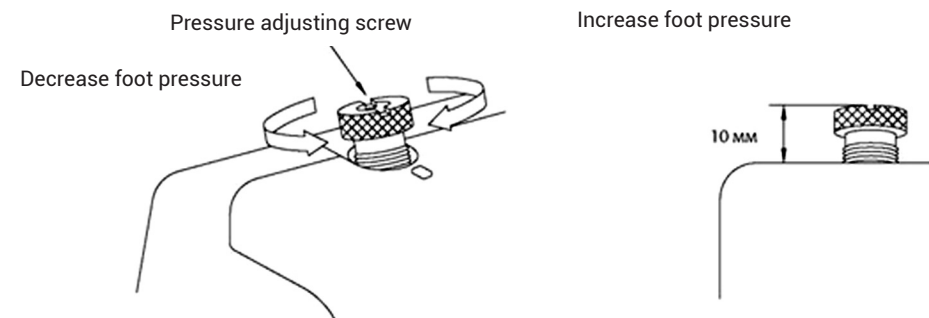
**△ NOTE:**  
Do not pull the fabric out from under the presser foot while sewing, as this will cause the needle to bend or break.

## ADJUSTING THE PRESSURE OF THE PRESSER FOOT ON THE FABRIC

- The pressure of the presser foot on the fabric is initially set for sewing mid-weight fabrics.
- Depending on the type of fabric you can change the presser foot pressure with the adjusting screw.

Decrease the presser foot pressure for sewing lightweight fabrics.

Increase the presser foot pressure for sewing thick fabrics.

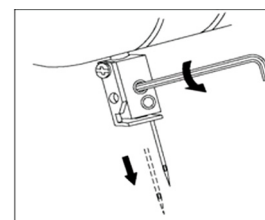


## MALFUNCTIONS AND TROUBLESHOOTING

MALFUNCTION	CAUSE	SOLUTION
The machine doesn't feed fabric.	Low pressure from the presser foot on the fabric	Increase the pressure of the presser foot on the fabric by turning the adjusting screw
Needles break	<ol style="list-style-type: none"> <li>The needle is bent or the needlepoint is dull</li> <li>The needle is placed incorrectly</li> <li>Forcefully pulling the fabric while sewing</li> </ol>	<ol style="list-style-type: none"> <li>Change the needle</li> <li>Correctly insert the needle into the clamp</li> <li>While sewing, carefully guide the fabric with both hands.</li> </ol>
Thread break	<ol style="list-style-type: none"> <li>Thread incorrectly threaded</li> <li>Thread is tangled</li> <li>Thread tension is too tight</li> <li>Needle placed incorrectly</li> <li>Poorly chosen needle</li> </ol>	<ol style="list-style-type: none"> <li>Feed the machine properly</li> <li>Check the spool of thread, thread guide stand, etc. and remove the tangled threads.</li> <li>Adjust the thread tension</li> <li>Correctly insert the needle into the clamp</li> <li>Use the recommended needles</li> </ol>

Stitch skips	<ol style="list-style-type: none"> <li>The needle is bent or the point of the needle is dull</li> <li>Incorrectly placed needle</li> <li>Poorly chosen needle</li> <li>Thread is not threaded correctly</li> <li>Low pressure of the presser foot on the fabric</li> </ol>	<ol style="list-style-type: none"> <li>Change needle</li> <li>Properly insert the needle into the clamp</li> <li>Use the recommended needles</li> <li>Feed the machine properly</li> <li>Turn the adjusting screw clockwise to increase the presser foot pressure on the fabric.</li> </ol>
Uneven(poor) stitches	Poor thread tension	Adjust the thread tension
Jammed fabric	<ol style="list-style-type: none"> <li>Thread tension is too tight</li> <li>The thread is not threaded correctly or is tangled</li> </ol>	<ol style="list-style-type: none"> <li>Decrease the thread tension when sewing light and fine fabrics.</li> <li>Remove any tangled threads and thread the machine correctly</li> </ol>

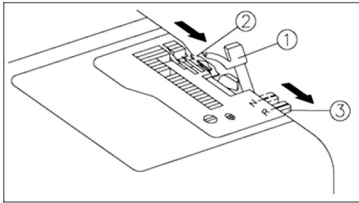
## ROLLED AND NARROW HEM



Rolled and narrow hemming seams are ideal for sewing delicate fabrics such as Crepe Georgette, Crepe de Chine, silk, etc.

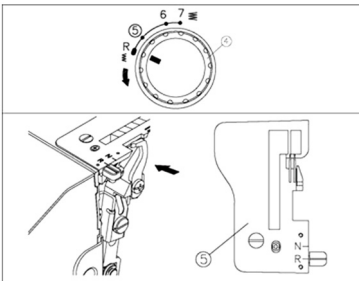
1. Raise the presser foot.
2. Remove the left needle.

- Thread the right needle to sew a 3-thread overlock stitch. Afterwards, turn the feed dog rack lever to the "R" position.

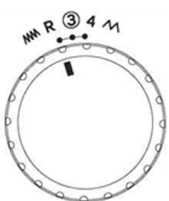


**△ NOTE:**  
Before performing a standard overlock stitch, make sure the feed dog rack is in place.

- Upper looper.
  - Feed dog rack part of the fabric advancing mechanism.
  - Feed dog lever.
- (4) Set the stitch width required for the rolled hem. Turn the stitch width regulating knob, located next to the front lid of the overlock, to the "R" position.



- Stitch width regulator.
- Needle plate with feed dog retracted.



- (5) Set the stitch length dial to the "R" mark as shown in the illustration.

## NARROW HEM

Adjust the thread tension according to the guidelines below:

- Upper looper thread tension - 4-6
- Lower looper thread tension - 4-6
- Right needle thread tension - 4-6

The settings may vary slightly depending on the type of fabric and thread used

## ROLLED HEM

Adjust the thread tension according to the guidelines below:

- Upper looper thread tension - 4-6
- Lower looper thread tension - 5-7
- Right needle thread tension - 4-6

The tension may vary slightly depending on the type of fabric and thread used.

## SAMPLE CHART FOR ROLLED AND NARROW HEM

	NARROW OVERLOCK HEM	ROLLED HEM
Stitch type	Wrong side of the fabric	Wrong side of the fabric

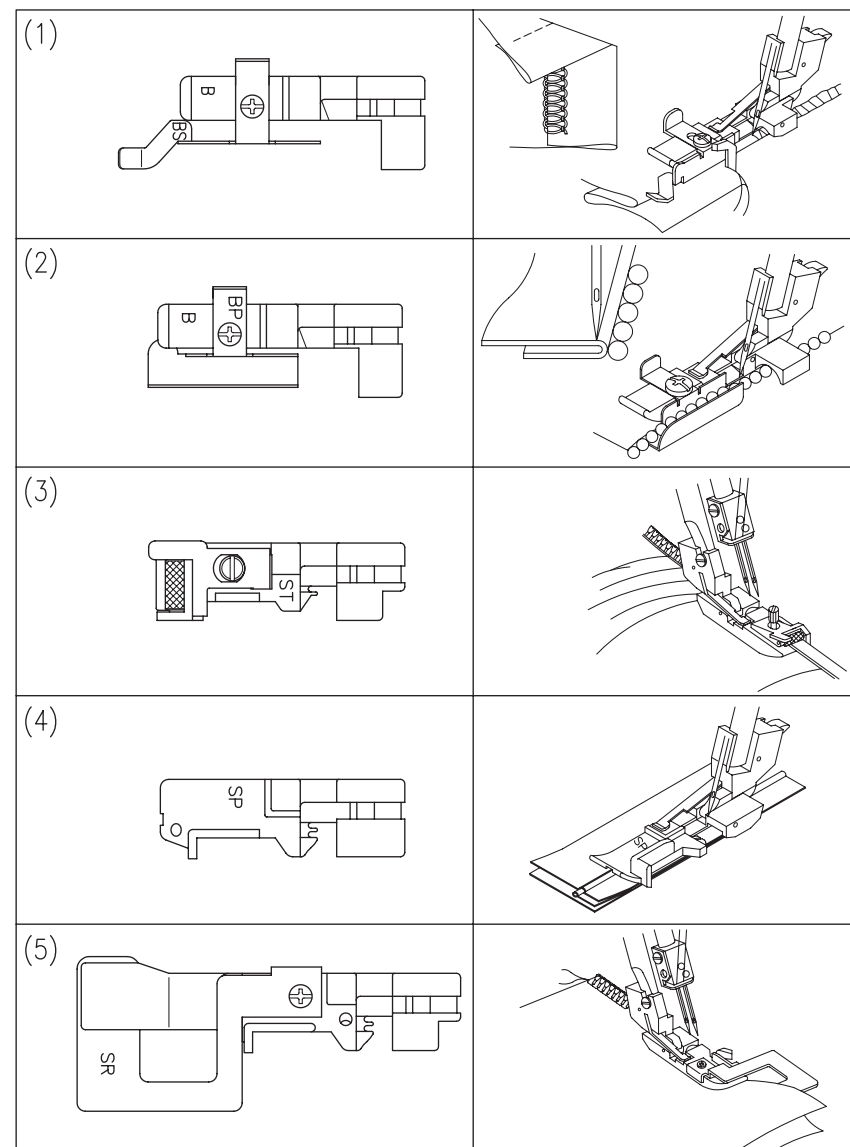
Fabric type	Lightweight: Crepe de Chine, Georgette, linen, Organza	Lightweight: Crepe de Chine, Georgette, linen, Organza
Needle thread	Nylon threads №50 - №100 Polyester threads №50 - №100	Nylon threads №100 Polyester threads №100
Upper looper thread	Combined wool and nylon threads Nylon threads №100 Polyester threads №100	Combined wool and nylon threads Decorative threads
Lower looper thread	Nylon threads №50 - №100 Polyester threads №50- №100	Nylon threads №100 Polyester threads №100
Stitch length	R	R
Stitch width	R.5 (two-needle overlock)	R.5 (two-needle overlock)
Thread tension	4(4-6)	4 (4-6)
Needle thread	5(4-6)	4 (4-6)
Upper looper thread	4 (4-6)	6 (5-7)
Lower looper thread		

### USING DIFFERENT KINDS OF PRESSER FEET

1. Blind stitch / butt-seam foot
2. Bead / sequin foot
3. Stretch stitch foot

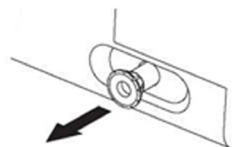
### 4. Binding foot

### 5. Gathering foot





## REMOVING THE UPPER KNIFE



To work on the overlock without cutting the fabric, switch the upper knife adjustment lever from 1 to 2 and the knife will cease operating.

## SWITCHING THE KNIFE

A dull knife must be replaced.

### △ NOTE:

Before replacing the blade, turn off the overlock by unplugging the power cord.

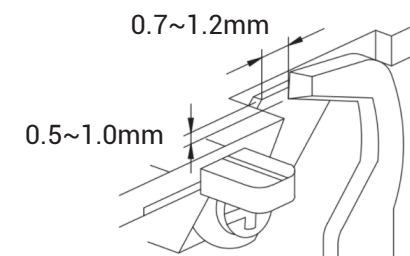
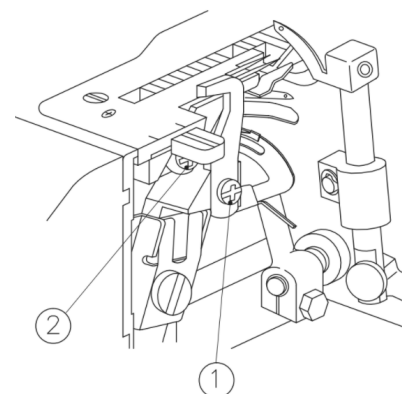
## SWITCHING THE UPPER KNIFE

- Remove the top cover and raise the upper knife to the highest position.
- Loosen the screw securing the upper knife and remove the knife.
- Place a new knife in the holder.
- Tighten the screw that secures the upper knife.

**ADJUST THE POSITION OF THE UPPER KNIFE SO THAT THE EDGE OF THE UPPER BLADE IS 0.5-1.0 MM OUTSIDE THE EDGE OF THE LOWER KNIFE.**

## SWITCHING THE LOWER KNIFE

- Loosen the screw and remove the knife.
  - Place a new knife in the holder.
  - The lower knife must be set so that the edge of its blade is even with the needle plate.
  - Tighten the screw that secures the lower knife.
1. Upper knife fixing screw.
  2. Lower knife fixing screw.



## TO CONVERT UPPER LOOPER TO 2 THREAD SERGING

### △ CAUTION:

Be sure to turn off the power switch when removing or replacing the converter.

### TO USE THE CONVERTER:

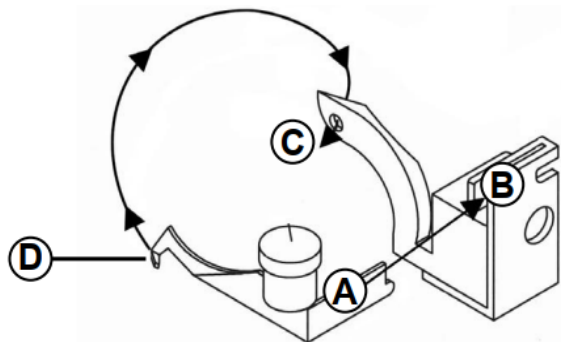
- 1) Open the front cover and turn the hand wheel to raise the needle to its highest position.
- 2) Slide plate (A) of the converter into slot (B) and bring the upper looper converter (D) up and over into the eyelet (C).

**TO RESTORE THE UPPEL LOOPER:**

Push end (D) of the converter out from eyelet (C) of upper looper and remove converter (A) from looperslot (B).

**NOTE:** Place converter in accessory box when not using.

The converter is only available in the EFFEKTIV Triumphator 1800X.



**CLEANING AND LUBRICATION**

To guarantee an optimum performance from the machine, it's necessary that you clean and lubricate it from once in a while.

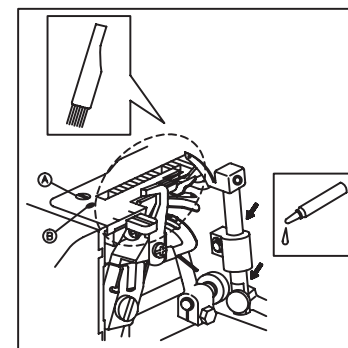
**BEFORE CARRYING OUT MAINTENANCE MAKE SURE THE MACHINE IS UNPLUGGED FROM THE MAINS!**

1. Remove the front lid.
2. Apply a drop of sewing machine oil to the spots indicated by the arrows.

**ALWAYS USE QUALITY SEWING MACHINE OIL. WHEN USING THE OVERLOCK FREQUENTLY, LUBRICATE IT AT LEAST ONCE A WEEK!**

**CLEANING**

1. Clean the needle plate with a brush.
2. Loosen the screw A. Remove the needle plate.

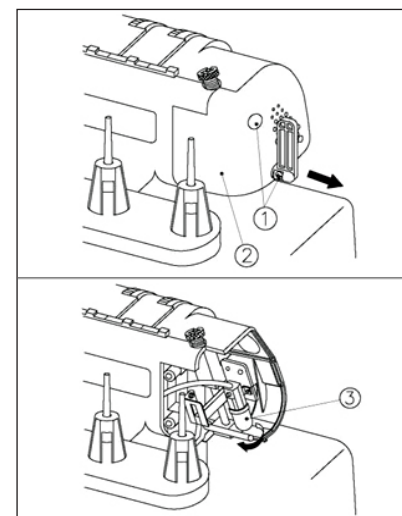


- Screw B. For repairing and adjusting only. Do not loosen or remove this screw.

**CHANGING THE BACKLIGHT LAMP**

Before removing the protective lamp cover, unplug the device from the mains socket.

- Loosen the presser foot lifter attachment screw, raise the presser foot lift lever and remove it from the device.
- Loosen the screw securing the protective lamp cover and remove the cover as shown in the figure below.



- Loosen the screw that secures the lamp cap, pull the cap up and remove it..
  - Remove the backlight bulb and install a new one.
1. Presser foot lifter screw.
  2. Protective lamp cover.
  3. Lamp cap screw.

## TECHNICAL INFORMATION

Designed to work	With fabrics ranging from light to thick
Working speed	1200 stitches per minute
Stitch length (step)	1,1 - 4 mm (3/64 - 5/32 inch)
Stitch width (step)	2,3 - 7,0 mm (5/64 - 9/32 inch)
Presser foot	Replacable presser foot
Presser foot lifter	5 - 6 mm (3/16 - 15/64 inch)
Needle bar stroke	25 mm (1 inch)
Needle	HAx1
Needle and stich count	Adjustment to 3- or 4-thread stitch. Works with two needles or one.
Net weight	7,0 кг.
Set of needles HAx1	№80 (2), №90 (2)
Model	<b>TRIUMPHATOR 1700X / 1800 X</b>

## TABLE OF SETTING OF SEAM VARIETIES

### OTHER INFORMATION:

#### DISPOSAL

To dispose of this product, we recommend that you do not throw it away with normal household waste. To prevent potential negative effects on the environment, please follow our procedures for the treatment, disposal and recycling of used electronic products.

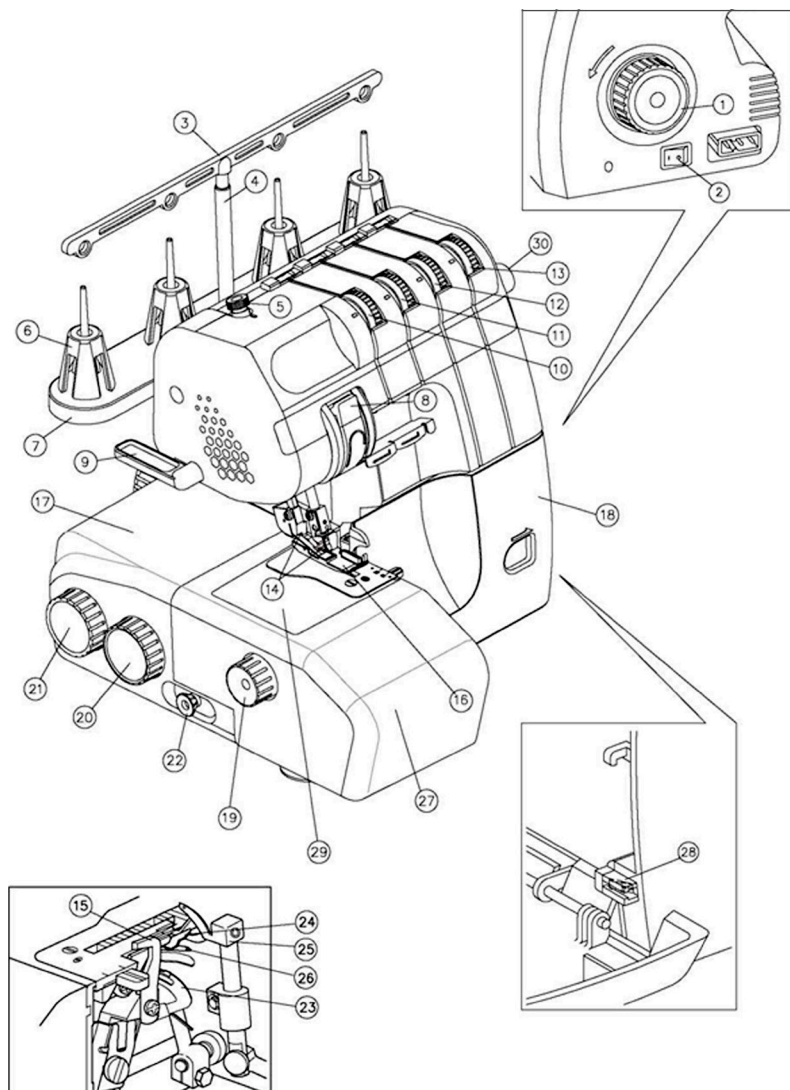
In the event of warranty claims - contact the recommended service centers.

№	Seam(hem) name	Tension			
		I	II	III	IV
1•	2-needles 3-threads Flatlock	1	1	-	8
2•	2-threads rolled	-	4	-	4
3•	2-threads narrow	-	4	-	4
4•	2-threads wide Flatlock	1	-	-	8
5•	2-threads wide with gathering	4	-	-	4
6•	2-threads wide	4	-	-	4
7•	3-threads 2-needles with gathering	4	4	-	4
8•	3-threads 2-needle	4	4	-	4
9	3-needles rolled	-	4	4	4
10	3-threads narrow Flatlock	-	0	1	8
11	3-threads narrow dense	-	4	4	4
12	3-threads narrow with gathering	-	4	4	4
13	3-threads narrow	-	4	4	4
14	3-threads wide Flatlock	0	-	1	8
15	3-threads wide dense	4	-	4	4
16	3-threads wide with gathering	4	-	4	4
17	3-threads wide	4	-	4	4
18	4-threads dense	4	4	4	4
19	4-threads with gathering	4	4	4	4
20	4-threads	4	4	4	4

Length	Width	Diferferential reel	Spreader	Converter
2-4	5-7	1	N	+
R	R	1	R	+
2-4	5-7	1	N	+
2-4	5-7	1	N	+
2-4	5-7	2	N	+
2-4	5-7	1	N	+
2-4	5-7	2	N	+
2-4	5-7	1	N	+
R	R	1	R	-
2-4	5-7	1	N	-
R	5-7	1	N	-
2-4	5-7	2	N	-
2-4	5-7	1	N	-
2-4	5-7	1	N	-
R	5-7	1	N	-
2-4	5-7	2	N	-
2-4	5-7	1	N	-
2-4	5-7	2	N	-
2-4	5-7	1	N	-

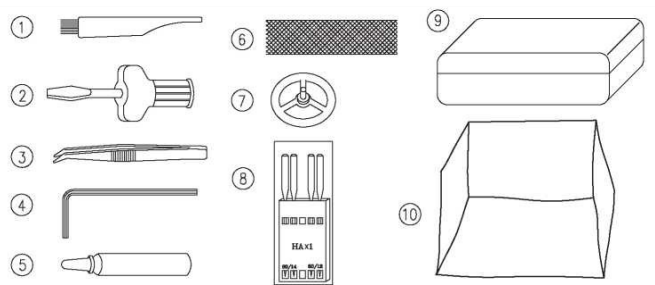
• Stitch numbers 1 to 8 are only available for the model Triumphator 1800X

## НАИМЕНОВАНИЕ ОСНОВНЫХ ЧАСТЕЙ

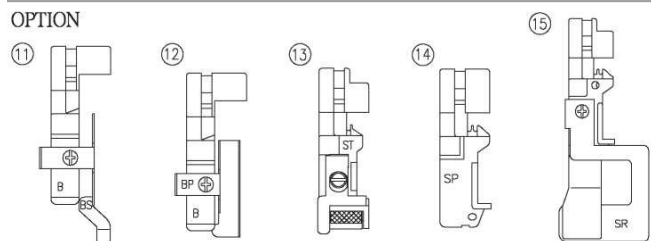


1. Маховое колесо
2. Выключатель питания и подсветки
3. Нитенаправитель
4. Стойка нитенаправителя
5. Винт регулировки давления лапки на ткань
6. Держатель катушки
7. Подставка для катушек
8. Крышка нитепритягивателя
9. Рычаг подъема прижимной лапки
10. Регулятор натяжения нити левой иглы
11. Регулятор натяжения нити правой иглы
12. Регулятор натяжения нити верхнего петлителя
13. Регулятор натяжения нити нижнего петлителя
14. Иглы
15. Верхний нож
16. Прижимная лапка
17. Платформа для размещения ткани
18. Передняя крышка
19. Регулятор ширины строчки
20. Ручка регулировки длины стежка
21. Регулятор дифференциальной подачи
22. Рычаг регулировки верхнего ножа
23. Нитенаправитель для нижнего петлителя
24. Зубчатая рейка механизма продвижения ткани
25. Верхний петлитель
26. Нижний петлитель
27. Рукавная платформа
28. Микропредохранитель
29. Крышка рукавной платформы
30. Кнопка мгновенного ослабления натяжения нити

## АКСЕССУАРЫ, ПОСТАВЛЯЕМЫЕ В КОМПЛЕКТЕ С ОВЕРЛОКОМ



OPTION



Номера на рисунках соответствуют номерам швейных принадлежностей:

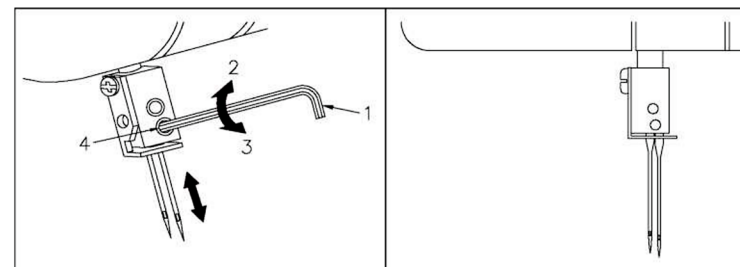
- |   |   |
|---|---|
| 1. Щеточка  | 10. Чехол для оверлока:<br>Опционально (не входит в комплект, приобретается отдельно) |
| 2. Отвертка                                       |   |
| 3. Пинцет   |   |
| 4. Ключ-шестигранник                              |   |
| 5. Масло  |   |
| 6. Сетка (4)                                      |   |
| 7. Ограничитель катушки ниток (4)                 | 11. Лапка для потайного стежка  |
| 8. Набор игл: НАх1.80/12 : 2 шт.<br>90/14 : 2 шт. | 12. Лапка для пришивания бусин/блесток  |
| 9. Коробка для швейных принадлежностей            | 13. Лапка для эластичной строчки  |
|   | 14. Лапка для окантовки косой бейки   |
|   | 15. Лапка для выполнения сборок   |

## ИГЛА

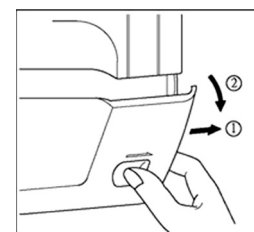
Этот оверлок предназначен для работы со стандартными иглами. Используйте иглы НАх1 (130/70SH)

Замена иглы

1. Вращайте маховое колесо на себя, чтобы привести иглу в крайнее верхнее положение.
2. Ослабьте винт иглодержателя при помощи прилагаемого ключа-шестигранника.
3. Вставьте в иглодержатель новую иглу (плоской стороной от себя) до упора.
4. Затяните винт иглодержателя.



## КАК СНЯТЬ ПЕРЕДНЮЮ КРЫШКУ



Чтобы снять переднюю крышку, максимально сдвиньте ее вправо, как это показано на рис. 1.

Потяните крышку на себя, как это показано на рис. 2

**△ ВНИМАНИЕ!**

Перед началом работы убедитесь, что передняя крышка установлена на место!

## НАЧАЛО ШИТЬЯ

Подключите оверлок к электросети. Переведите переключатель питания устройства в положение "1". При включении оверлока загорится лампочка-индикатор.

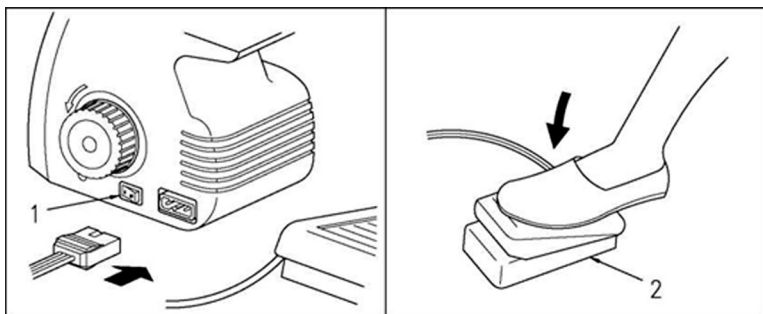
Для выключения оверлока переведите переключатель питания в положение "0". При этом лампочка-индикатор погаснет.

Двигатель устройства не может осуществлять свою работу, если снята передняя крышка оверлока.

## НОЖНАЯ ПЕДАЛЬ

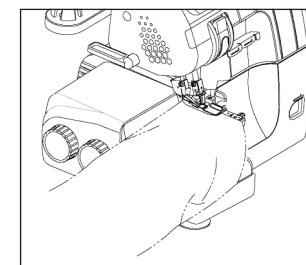
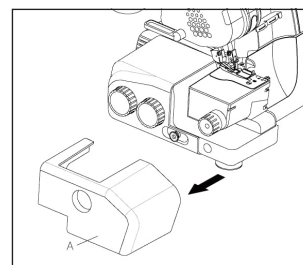
Предназначена для регулирования скорости шитья.

1. Переключатель питания
2. Ножная педаль



## ИСПОЛЬЗОВАНИЕ РУКАВНОЙ ПЛАТФОРМЫ

1. Сдвиньте крышку А влево.
2. Для начала работы наденьте рукав или манжету на узкую рукавную платформу.



## РЕГУЛИРОВКА ДЛИНЫ СТЕЖКА:



1. Для выполнения большинства швейных операций ручка регулировки длины стежка должна быть установлена на отметку 3 мм (7/64 дюйма).
2. При работе с плотными тканями установите ручку регулировки длины стежка на отметку 4 мм (5/32 дюйма).

## РЕГУЛИРОВКА ДЛИНЫ СТРОЧКИ

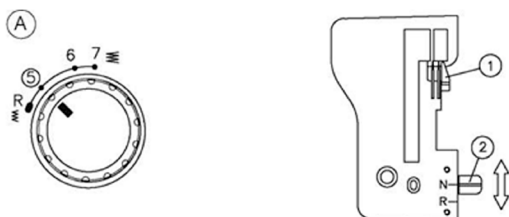
### Двухигольные оверлоки

- (1) Для уменьшения ширины строчки поверните вверх регулятор ширины строчки, расположенный рядом со съемной крышкой.

Чтобы увеличить ширину строчки, поверните данный регулятор вниз.

Ширину строчки можно регулировать в диапазоне от R 4,5 мм (11/64 дюйма) до 7 мм (9/32 дюйма).

Стандартная ширина стежка для выполнения обычной оверлочной строчки составляет 5 мм (13/64 дюйма).

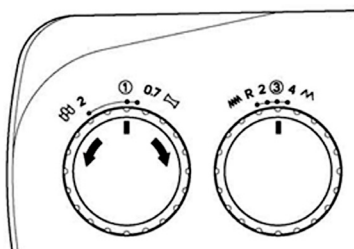


## ДИФФЕРЕНЦИАЛЬНАЯ ПОДАЧА ТКАНИ

Для достижения необходимой скорости продвижения ткани установите регулятор дифференциальной подачи так, как это показано на рисунке ниже.

Дифференциальную подачу ткани можно регулировать в диапазоне от 0,7 до 2,0.

Стандартно используется значение 1,0.



НАЗНАЧЕНИЕ И ДОСТИГАЕМЫЙ ЭФФЕКТ	ТИП ПОДАЧИ	ОСНОВНОЙ МЕХАНИЗМ ПОДАЧИ ТКАНИ (ЗАДНЯЯ РЕЙКА)	МЕХАНИЗМ ДИФФЕРЕНЦИАЛЬНОЙ ПОДАЧИ ТКАНИ (ПЕРЕДНЯЯ РЕЙКА)	НАСТРОЙКА
Предотвращение образования волнистой строчки. Присборивание ткани	Дифференциальная подача с положительным значением			1,0 - 2,0
Без дифференциальной подачи	Нейтральная подача			1,0
Предотвращение замятия ткани	Дифференциальная подача с отрицательным значением			0,7 - 1,0

## ДИФФЕРЕНЦИАЛЬНАЯ ПОДАЧА ТКАНИ

Механизм дифференциальной подачи используется для предотвращения образования волнистой строчки и замятия ткани. Также этот механизм позволяет присборивать ткань.

### ЗАМЯТИЕ ТКАНИ

Замятие характерно при работе с тканями изделиями или легковесными тканями. Для получения ровных швов установите регулятор дифференциальной подачи на отметку ниже уровня 1.

### ВОЛНИСТЫЕ СТРОЧКИ

Волнистые строчки могут образовываться при работе с



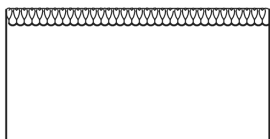
трикотажными или эластичными тканями.

Для предотвращения образования волнистых строчек установите регулятор дифференциальной подачи на отметку ниже уровня 1.

### ПРИСБОРИВАНИЕ ТКАНИ

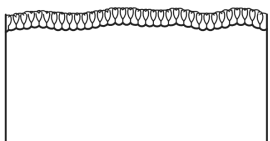
Механизм дифференциальной подачи облегчает присборивание легковесных тканей. Используйте эту возможность для выполнения швов в области талии, втачивания рукавов, обработки низа рукавов и манжет и т.д.

Для достижения оптимального результата при выполнении сборок на ткани установите регулятор дифференциальной подачи между отметками 1,5 и 2.



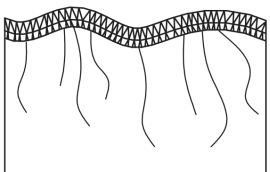
#### РОВНЫЙ ШОВ

Одежда без волнистых строчек



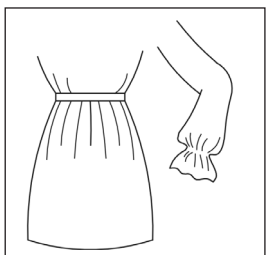
#### НЕРОВНЫЙ ШОВ

Замятие ткани (без сборок)



#### ВОЛНИСТЫЙ ШОВ

Волнистый край ткани (без замятия)

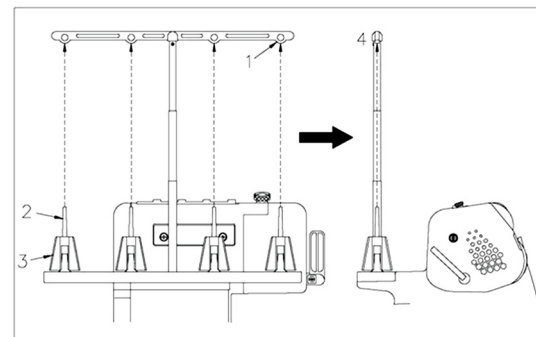


#### СБОРКИ

Присборивание ткани

## УСТАНОВКА СТОЙКИ НИТЕНАПРАВИТЕЛЯ

Оверлок поставляется со стойкой нитенаправителя в нижнем положении. Поднимите стойку нитенаправителя в крайнее верхнее положение. Затем отрегулируйте положение нитенаправителя.



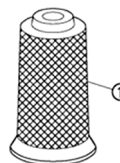
## ОГРАНИЧИТЕЛИ ДЛЯ КАТУШКИ НИТОК



Ограничитель служит для фиксации катушки ниток на стержне оверлока.

1. Ограничитель для катушки ниток.

## СЕТКА ДЛЯ КАТУШКИ НИТОК

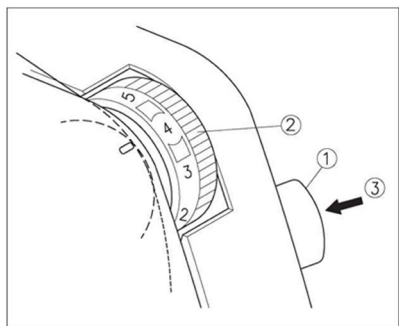


При сходе с катушки полиэстеровые или нейлоновые нитки с неплотной намоткой теряют натяжение. Для поддержания постоянной скорости подачи таких ниток служит сетка, надеваемая поверх катушки.

1. Сетка.

## КНОПКА ОСЛАБЛЕНИЯ НАТЯЖЕНИЯ НИТИ

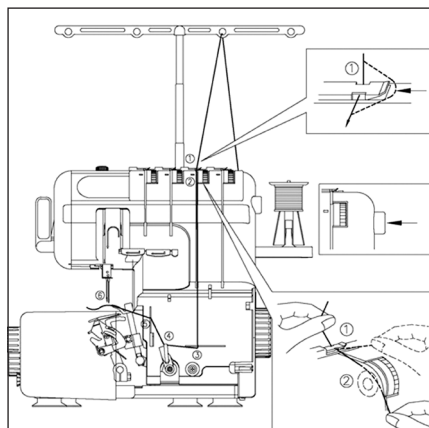
Оверлок оснащен кнопкой мгновенного ослабления натяжения нити. При заправке нитей необходимо выполнить следующие действия:



1. Нажмите клавишу ослабления натяжения нити, расположенную справа от ручки регулировки натяжения.
2. Пропустите нить через диск контроля натяжения, находящийся в пазу за ручкой регулировки натяжения.
3. Нажмите кнопку.

## ЗАПРАВКА ВЕРХНЕГО ПЕТЛИТЕЛЯ

Заправьте нить верхнего петлителя так, как это показано на схеме (позиции 1-6).

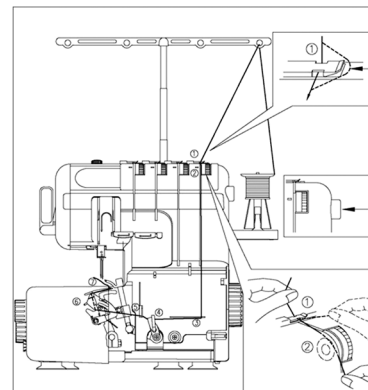


1. Протяните нить с катушки и пропустите по направлению к себе через отверстие нитенаправителя на стойке.
2. Пропустите нить через нитенаправитель (позиция 1).
3. Затем заведите нить в паз и проведите через диск контроля натяжения, расположенный рядом с ручкой регулировки натяжения (позиция 2).

4. Проведите нить в направлении к верхнему петлителю, пропустив ее через нитенаправители 3-5, отмеченные зеленым цветом на корпусе оверлока.
5. Проведите нить через отверстие верхнего петлителя в направлении от себя (см. позицию 6).

## ЗАПРАВКА НИЖНЕГО ПЕТЛИТЕЛЯ

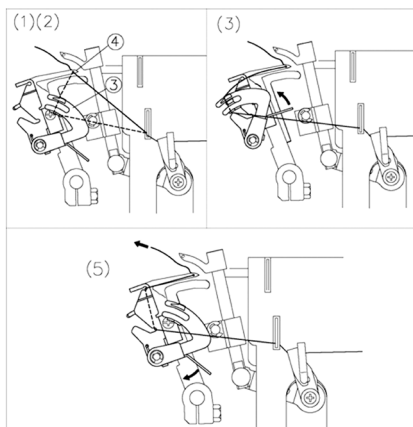
Заправьте нить нижнего петлителя так, как это показано на схеме (позиции 1-7).



1. Протяните нить с катушки и пропустите по направлению к себе через отверстие нитенаправителя на стойке.
2. Пропустите нить через нитенаправитель (позиция 1).
3. Затем заведите нить в паз и проведите через диск контроля натяжения, расположенный рядом с ручкой регулировки натяжения (позиция 2).
4. Проведите нить в направлении к нижнему петлителю, пропустив ее через нитенаправители 3-7, отмеченные синим цветом на корпусе оверлока.

## ИСПОЛЬЗОВАНИЕ МЕХАНИЗМА АВТОМАТИЧЕСКОЙ ЗАПРАВКИ НИТИ НИЖНЕГО ПЕТЛИТЕЛЯ

1. Пропустите нить через отверстие нижнего петлителя (позиция 1,2).
2. Проведите нить за рычажок нитевдевателя (позиция 3).



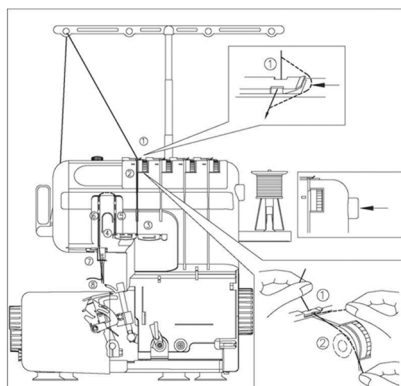
3. Переведите рычаг заправки нижнего петлителя (позиция 5) в крайнее верхнее положение так, чтобы конец рычажка находился на одном уровне с голубой отметкой.
4. Отпустите рычаг заправки нижнего петлителя (позиция 5) и затем вытяните нить с задней стороны лапки.

### СЛЕДИТЕ ЗА ТЕМ, ЧТОБЫ НИТИ НЕ ПУТАЛИСЬ!

Вытяните нити таким образом, чтобы нить нижнего петлителя располагалась под нитью верхнего петлителя.

## ЗАПРАВКА ЛЕВОЙ ИГЛЫ

Заправьте левую иглу так, как это показано на схеме (позиции 1-8).

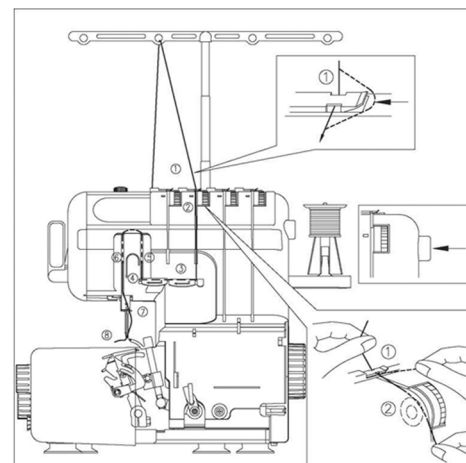


1. Протяните нить с катушки и пропустите по направлению к себе через отверстие нитенаправителя на стойке.
2. Пропустите нить через нитенаправитель (позиция 1).
3. Затем заведите нить в паз и проведите через диск контроля натяжения, расположенный рядом с ручкой регулировки натяжения (позиция 2).

4. Проведите нить в соответствии с позициями 3-5.
5. При прохождении нити через позицию 6 направьте ее вниз, чтобы нить прошла через нитенаправитель (позиция 7), затем проденьте нить через левую иглу (позиция 8).

## ЗАПРАВКА ПРАВОЙ ИГЛЫ

Заправьте правую иглу так, как это показано на схеме (позиции 1-8).



1. Протяните нить с катушки и пропустите по направлению к себе через отверстие нитенаправителя на стойке.
2. Пропустите нить через нитенаправитель (позиция 1).
3. Затем заведите нить в паз и проведите через диск контроля натяжения, расположенный рядом с ручкой регулировки натяжения (позиция 2).
4. Проведите нить в соответствии с позициями 3-5.
5. При прохождении нити через позицию 6 направьте ее вниз, чтобы нить прошла через нитенаправитель (позиция 7), затем проденьте нить через левую иглу (позиция 8).

## ТАБЛИЦА КОМБИНАЦИЙ ТКАНЕЙ, НИТЕЙ И ИГЛ

ТКАНИ		ТИП СТРОЧКИ	ДЛИНА СТЕЖКА (ММ)	НИТКИ	ИГЛЫ
Легкие ткани	Крепдешин жоржет лен органза трикотаж	Оверлочная строчка	2,0 - 3,0	Синтетика из волокон: №80 хлопок: №80, 100 шелк: №80, 100	HAx1 №70 №80
Легкие ткани	Крепдешин жоржет батист органза	Узкий / ролевой подрубочный шов	Менее 2,0	Игольная нить: полиэстер: №80 нейлон: №80 Нить петлителя: полиэстер: N280 нейлон: №80 комбинированные нитки из шерсти и нейлона	HAx1 №70 №80
Ткани среднего типа	Поплин гинем сирсакер габардин саржа трикотаж	Оверлочная строчка	2,5 - 3,5	Синтетика из волокон: №60, 80 хлопок: №60, 80 шелк: №50, 80 нейлон: №50, 80 полиэстер: №50, 80	HAx1 №80 №90
Плотные ткани	Кашемир твид джинсовая ткань джерси	Оверлочная строчка	3,0 - 4,0	Хлопок: №40, 60 шелк: №40, 60 нейлон: №30, 60 полиэстер: №30, 60	HAx1 №90

### △ ПРИМЕЧАНИЕ:

Для декоративного шитья в верхний петлитель рекомендуется заправлять декоративные нити.

## РЕГУЛИРОВКА НАТЯЖЕНИЯ НИТИ

При вращении регулятора натяжения в сторону возрастания значений отметок натяжение нити будет увеличиваться.

При вращении регулятора натяжения в сторону убывания значений отметок натяжение нити будет ослабевать.

Проверьте натяжение каждой нити на образце ткани, с которой вы собираетесь работать.



Для выполнения большинства операций регулятор может быть установлен на отметку «4».

### △ ПРИМЕЧАНИЕ:

Если вы не можете правильно подобрать натяжение нити, обратитесь к дальнейшим иллюстрациям, отображающих порядок действий «в таком случае».

## ТАБЛИЦА РЕГУЛИРОВКИ НАТЯЖЕНИЯ (ДУХ ИГОЛЬНЫЕ ОВЕРЛОКИ)

A Изнаночная сторона

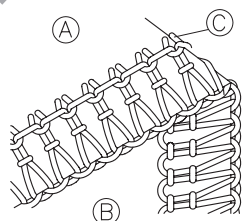
B Лицевая сторона

C Нить левой иглы

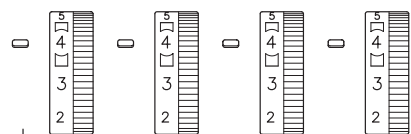
D Нить правой иглы

E Нить верхнего петлителя

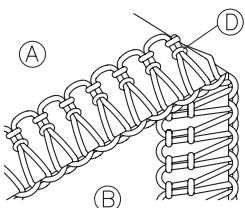
F Нить нижнего петлителя



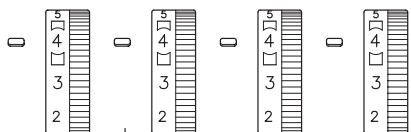
Недостаточное натяжение нити  
левой иглы



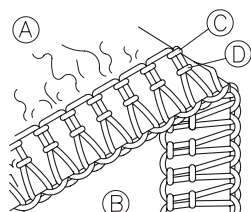
Увеличьте натяжение нити левой иглы



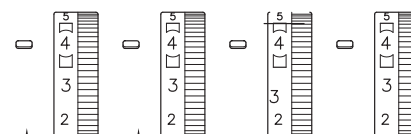
Недостаточное натяжение нити  
правой иглы



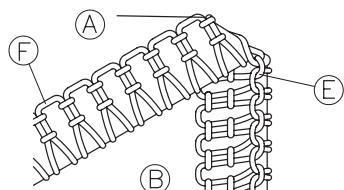
Увеличьте натяжение нити правой иглы



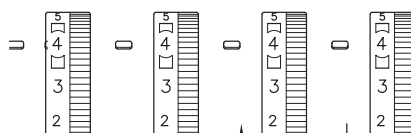
Чрезмерное натяжение нити левой иглы



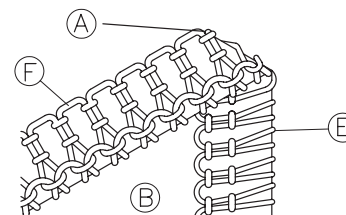
Ослабьте натяжение нити левой иглы



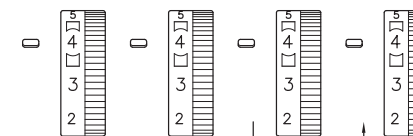
Чрезмерное натяжение нити верхнего  
петлителя. Недостаточное натяжение  
нижнего петлителя



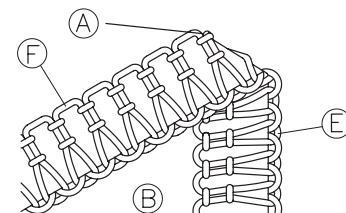
Ослабьте натяжение нити верхнего  
петлителя



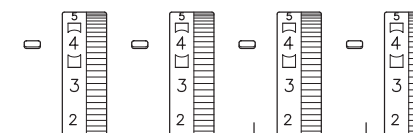
Недостаточное натяжение нити  
верхнего петлителя. Чрезмерное  
натяжение нити петлителя



Увеличьте натяжение нити  
верхнего петлителя

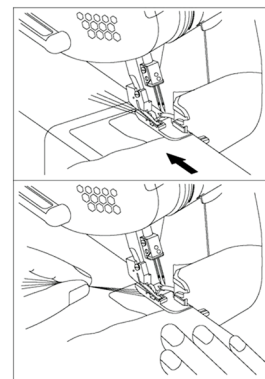


Недостаточное натяжение нити  
верхнего петлителя



Увеличьте натяжение нити  
нижнего петлителя

## ПРОБНОЕ ШИТЬЕ



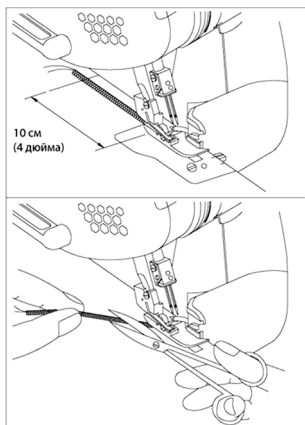
После правильной заправки нитей можно приступить к пробному шитью.

1. Поднимите прижимную лапку и поместите под нее образец ткани. Опустите прижимную лапку и начинайте работу. Не поднимайте прижимную лапку в процессе работы оверлока, так как выполняемая строчка будет неровной.
2. Перед нажатием на ножную педаль правой рукой поверните маховое колесо против часовой стрелки, при этом удерживайте

конец нити левой рукой. Одновременно проверьте режим работы оверлока.

3. Плавно нажмите на ножную педаль.

## ВЫПОЛНЕНИЕ ЦЕПНОГО СТЕЖКА

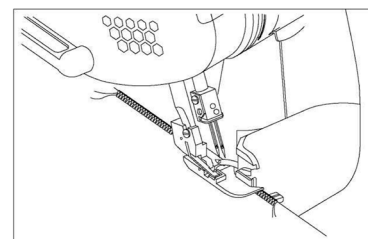


Завершив пробное шитье, удерживайте ножную педаль в нажатом положении, чтобы строчка продолжилась за край ткани примерно на 10 см (4 дюйма). Оверлок автоматически выполнит цепную строчку.

- При неравномерном натяжении нитей цепная строчка получится неровной. В таком случае, удерживая конец нити рукой, проверьте правильность заправки нити и отрегулируйте натяжение. После регулировки цепная строчка будет выполняться ровно.

## ОБРЫВ НИТИ В ПРОЦЕССЕ ШИТЬЯ

- В случае обрыва нити в процессе работы следует извлечь ткань из - под прижимной лапки, после чего выполнить заправку нити в правильном порядке:
1. Заправьте верхний петлитель, нижний петлитель и правую иглу.
  2. Затем заправьте левую иглу, после чего поместите ткань под прижимную лапку так, чтобы до места обрыва нити оставалось 3-5 см.
  3. Продолжайте работу.



### △ ПРИМЕЧАНИЕ:

Не вытягивайте ткань из - под прижимной лапки в процессе шитья, так как в результате подобных действий игла согнется, либо сломается.

## РЕГУЛИРОВКА ДАВЛЕНИЯ ПРИЖИМНОЙ ЛАПКИ НА ТКАНЬ

- Давление прижимной лапки на ткань первоначально отрегулировано для работы с тканями среднего типа.
- В зависимости от типа ткани Вы можете менять давление прижимной лапки с помощью регулировочного винта.

Для работы с легкими тканями давление лапки необходимо уменьшать.

Для работы с плотными тканями давление лапки необходимо увеличивать..

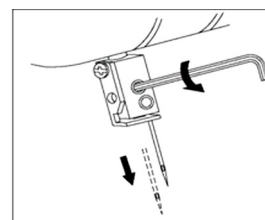


## НЕИСПРАВНОСТИ И МЕТОДЫ ИХ УСТРАНЕНИЯ

НЕИСПРАВНОСТЬ	ПРИЧИНА	СПОСОБ УСТРАНЕНИЯ
Машина не продвигает ткань	Слабое давление прижимной лапки на ткань	Увеличьте давление лапки на ткань, вращая регулировочный винт
Поломка иглы	<ol style="list-style-type: none"> <li>Игла погнута, или острие иглы затупилось</li> <li>Игла установлена неправильно</li> <li>Принудительное вытягивание ткани в процессе шитья</li> </ol>	<ol style="list-style-type: none"> <li>Замените иглу</li> <li>Правильно установите иглу в зажим</li> <li>В процессе шитья осторожно направляйте ткань обеими руками</li> </ol>
Обрыв нити	<ol style="list-style-type: none"> <li>Неправильно заправлена нить</li> <li>Нить запуталась</li> <li>Слишком сильное натяжение нити</li> <li>Игла установлена неправильно</li> <li>Неправильно подобрана игла</li> </ol>	<ol style="list-style-type: none"> <li>Заправьте машину правильно</li> <li>Проверьте стержень с катушкой ниток, стойку нитенаправителя и т.д. и удалите спутанные нитки.</li> <li>Отрегулируйте натяжение нити</li> <li>Правильно установите иглу в зажим</li> <li>Используйте рекомендованные иглы</li> </ol>

Пропуск стежков	<ol style="list-style-type: none"> <li>Игла погнута, или острие иглы затупилось</li> <li>Игла установлена неправильно</li> <li>Неправильно подобрана игла</li> <li>Неправильно заправлена нить</li> <li>Слабое давление прижимной лапки на ткань</li> </ol>	<ol style="list-style-type: none"> <li>Замените иглу</li> <li>Правильно установите иглу в зажим</li> <li>Используйте рекомендованные иглы</li> <li>Заправьте машину правильно</li> <li>Вращайте регулировочный винт по часовой стрелке для увеличения давления лапки на ткань</li> </ol>
Неравномерные стежки	Неправильное натяжение нитей	Отрегулируйте натяжение нитей
Замятие ткани	<ol style="list-style-type: none"> <li>Слишком сильное натяжение нити</li> <li>Нить неправильно заправлена в иглу или запуталась</li> </ol>	<ol style="list-style-type: none"> <li>Уменьшите натяжение нити при работе с легкими и тонкими тканями</li> <li>Удалите все спутанные нитки и заправьте машину правильно</li> </ol>

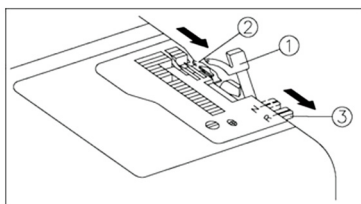
## РОЛЕВЫЙ И УЗКИЙ ПОДРУБОЧНЫЕ ШВЫ



Ролевый и узкий подрубочные швы идеально подходят для работы с тонкими материалами, такими как креп-жоржет, крепдешин, шелк и т.д.

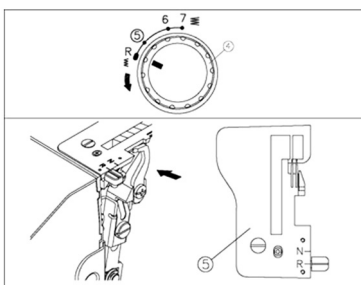
1. Поднимите прижимную лапку.

2. Снимите левую иглу.
3. Заправьте нить в правую иглу для выполнения трехниточного оверлочного стежка. После этого переведите рычажок зубчатой рейки механизма продвижения ткани в положение "R".

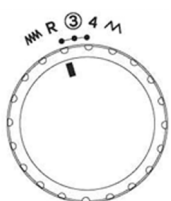


**△ ПРИМЕЧАНИЕ:**  
Перед выполнением стандартной оверлочной строчки убедитесь, что зубчатая рейка установлена на место.

1. Верхний петлитель.
  2. Зубчатая рейка механизма продвижения ткани.
  3. Рычажок зубчатой рейки.
- (4) Установите ширину строчки, необходимую для выполнения ролевого подрубочного шва. Переведите ручку регулятора ширины строчки, расположенную рядом с передней крышкой оверлока, в положение "R".



4. Регулятор ширины строчки.
5. Игольная пластина с убранной зубчатой рейкой.



- (5) Установите регулятор длины стежка на отметку "R", как показано на иллюстрации.

## УЗКИЙ ПОДРУБОЧНЫЙ ШОВ

Отрегулируйте натяжение нити в соответствии с приведенными ниже рекомендациями:

- Натяжение нити верхнего петлителя - 4-6
- Натяжение нити нижнего петлителя - 4-6
- Натяжение нити правой иглы - 4-6

Настройки могут слегка изменяться в зависимости от типа ткани и используемых ниток.

## РОЛЕВЫЙ ПОДРУБОЧНЫЙ ШОВ

Отрегулируйте натяжение нити в соответствии с приведенными ниже рекомендациями:

- Натяжение нити верхнего петлителя - 4-6
- Натяжение нити нижнего петлителя - 5-7
- Натяжение нити правой иглы - 4-6

Натяжение может слегка изменяться в зависимости от типа ткани и используемых ниток.

## ТАБЛИЦА ОБРАЗЦОВ РОЛЕВОГО И УЗКОГО ПОДРУБОЧНЫХ ШВОВ

	УЗКИЙ ОВЕРЛОЧНЫЙ ПОДРУБОЧНЫЙ ШОВ	РОЛЕВЫЙ ПОДРУБОЧНЫЙ ШОВ
Тип строчки	Изнаночная сторона ткани	Изнаночная сторона ткани



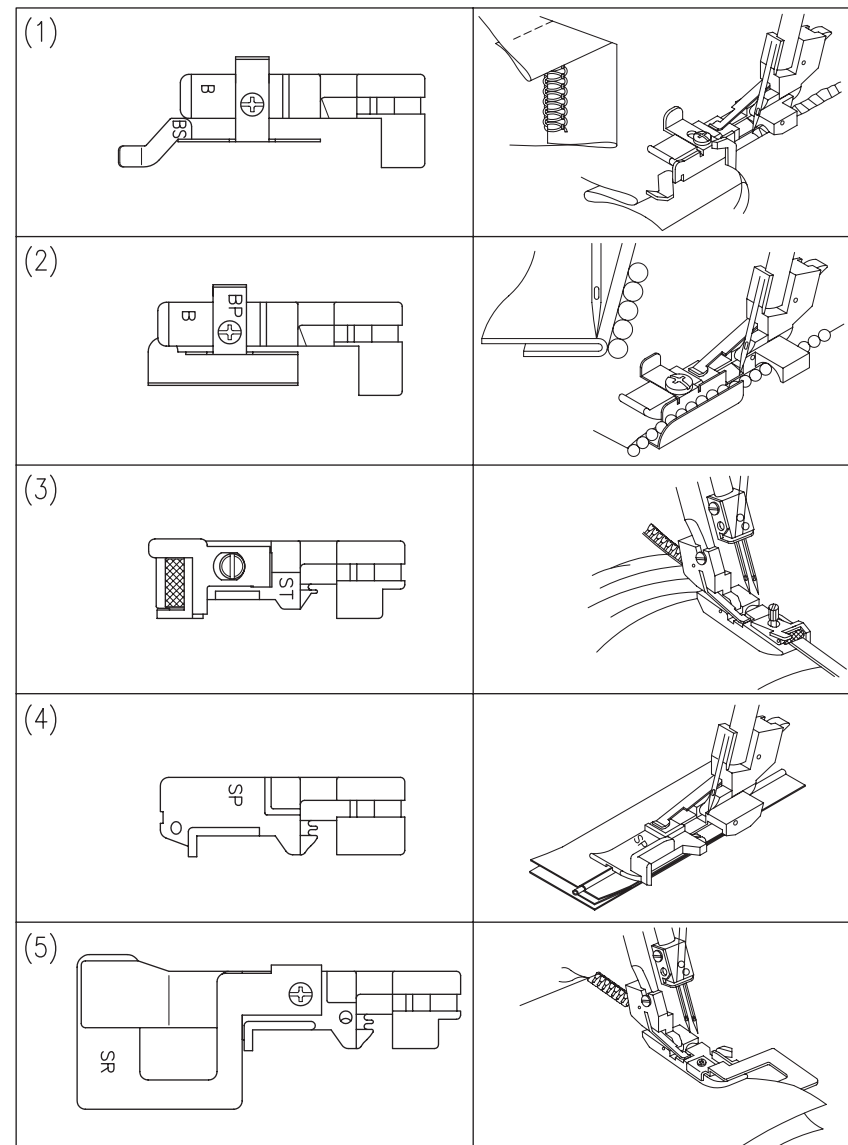
Тип ткани	Легкие ткани крепдешин жоржет лен органза	Легкие ткани крепдешин жоржет лен органза
Игольная нить	Нейлоновые нитки №50 - №100 Полиэстеровые нитки №50 - №100	Нейлоновые нитки №100 Полиэстеровые нитки №100
Нить верхнего петлителя	Комбинированные нитки из шерсти и нейлона Нейлоновые нитки №100 Полиэстеровые нитки №100	Комбинированные нитки из шерсти и нейлона Декоративные нитки
Нить нижнего петлителя	Нейлоновые нитки №50 - №100 Полиэстеровые нитки №50- №100	Нейлоновые нитки №100 Полиэстеровые нитки №100
Длина стежка	R	R
Ширина строчки	R.5 (двухигольные оверлоки)	R.5 (двухигольные оверлоки)
Натяжение нити	4(4-6)	4 (4-6)
Игольная нить	5(4-6)	4 (4-6)
Нить верхнего петлителя	4 (4-6)	6 (5-7)
Нить нижнего петлителя		

## ИСПОЛЬЗОВАНИЕ РАЗЛИЧНЫХ ВИДОВ ПРИЖИМ- НЫХ ЛАПОК

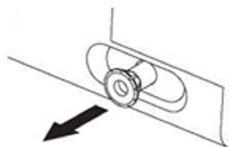
1. Лапка для потайного стежка / стачивания деталей встык
2. Лапка для вшивания бусин / блесток
3. Лапка для эластичного стежка

### 4. Лапка для окантовки косой бейкой

### 5. Лапка для приборивания ткани



## СНЯТИЕ ВЕРХНЕГО НОЖА



Чтобы работать на оверлоке без подрезания ткани, переведите рычажок, регулирующий положение верхнего ножа, с отметки 1 на отметку 2, и верхний нож не будет использоваться в работе.

## ЗАМЕНА НОЖА

Затупившийся нож необходимо заменить.

### △ ОСТОРОЖНО:

Прежде чем начать замену ножа, отключите оверлок от электросети, вынув вилку шнура питания из розетки.

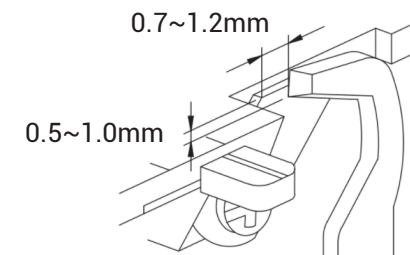
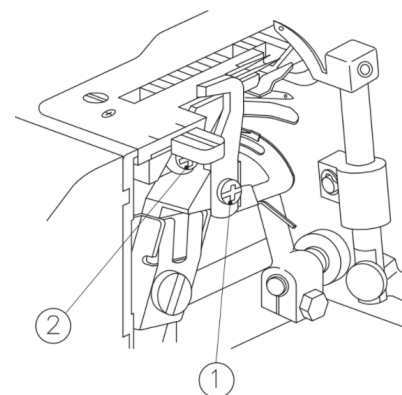
## ЗАМЕНА ВЕРХНЕГО НОЖА

- Снимите верхнюю крышку и поднимите верхний нож в крайнее верхнее положение.
- Ослабьте винт крепления верхнего ножа и снимите нож.
- Установите в держатель новый нож.
- Затяните винт крепления верхнего ножа.

**ОТРЕГУЛИРУЙТЕ ПОЛОЖЕНИЕ ВЕРХНЕГО НОЖА ТАК, ЧТОБЫ КРАЙ ВЕРХНЕГО ЛЕЗВИЯ НА 0,5-1,0 ММ ВЫСТУПАЛ ЗА КРАЙ НИЖНЕГО НОЖА.**

## ЗАМЕНА НИЖНЕГО НОЖА

- Ослабьте винт крепления нижнего ножа и снимите нож.
  - Установите в держатель новый нож.
  - Нижний нож должен быть установлен таким образом, чтобы край его лезвия находился на одном уровне с игольной пластиной.
  - Затяните винт крепления нижнего ножа.
1. Винт крепления верхнего ножа.
  2. Винт крепления нижнего ножа.



## КОНВЕРТЕР ВЕРХНЕГО ПЕТЛИТЕЛЯ ДЛЯ ПРОВЕДЕНИЯ 2-НИТОЧНОЙ ОБМЕТКИ ТКАНИ

### △ ОСТОРОЖНО:

При извлечении или замене конвертера обязательно отключайте устройство от сети питания.

### ИСПОЛЬЗОВАНИЕ КОНВЕРТЕРА:

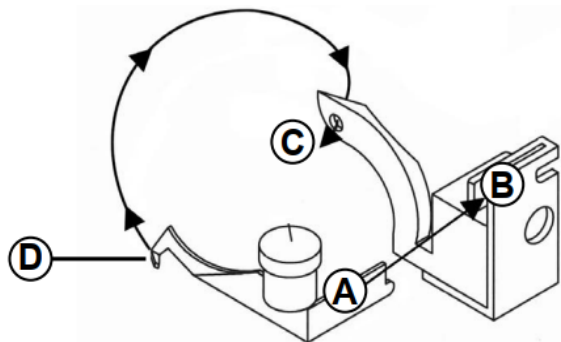
- 1) Откройте переднюю крышку и поднимите иглу в самое верхнее положение..
- 2) Сдвиньте пластину (А) конвертера в паз (В) и вставьте конец конвертера (D) в отверстие верхнего петлителя (С).

### СНЯТИЕ КОНВЕРТЕРА:

Вытяните конец конвертера (D) из отверстия верхнего петлителя (C) и извлеките конвертер из паза (B).

**Примечание:** Если конвертер не используется, храните его в коробке вместе с принадлежностями.

Конвертер предусмотрен только в модели EFFEKTIV Triumphator 1800X.



### ЧИСТКА И СМАЗКА

Для обеспечения оптимальной работы машины необходимо периодически производить чистку и смазку.

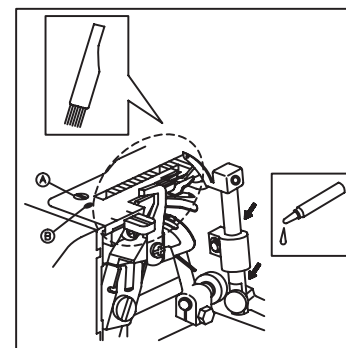
**ПЕРЕД ВЫПОЛНЕНИЕМ РАБОТ ПО УХОДУ ЗА МАШИНОЙ ВСЕГДА ОТКЛЮЧАЙТЕ ЕЕ ОТ ЭЛЕКТРОСЕТИ, ВЫНУВ ВИЛКУ ШНУРА ПИТАНИЯ ИЗ РОЗЕТКИ!**

1. Снимите переднюю крышку.
2. Нанесите каплю масла для швейных машин в точки, указанные стрелками.

**ВСЕГДА ИСПОЛЬЗУЙТЕ МАСЛО ДЛЯ ШВЕЙНЫХ МАШИН ТОЛЬКО ХОРОШЕГО КАЧЕСТВА. ПРИ ЧАСТОМ ИСПОЛЬЗОВАНИИ ОВЕРЛОКА СМАЗКУ НЕОБХОДИМО ВЫПОЛНЯТЬ РАЗ В НЕДЕЛЮ!**

#### ЧИСТКА

1. Щеточкой очистите игольную пластину.
2. Ослабьте винт А. Снимите игольную пластину.

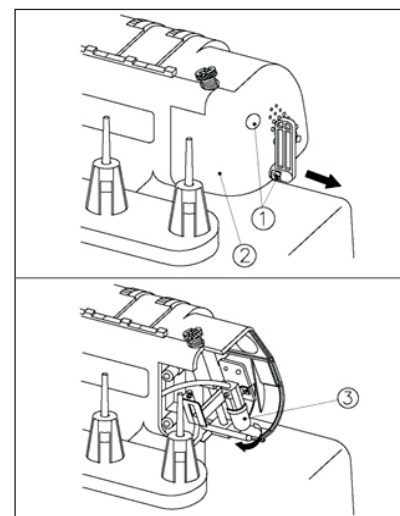


- Винт В. Только для ремонта и настройки оверлока. Не ослабляйте и не вынимайте этот винт.

### ЗАМЕНА ЛАМПЫ ПОДСВЕТКИ

Прежде чем снять защитную крышку лампы, отключите устройство от сети, вынув вилку шнура питания из розетки.

- Ослабьте винт крепления рычага прижимной лапки, поднимите рычаг подъема прижимной лапки и снимите его с устройства.
- Ослабьте винт крепления защитной крышки лампы и снимите крышку так, как это показано на рисунке ниже.



- Ослабьте винт крепления колпачка лампы, потяните колпачок вверх и снимите его.
  - Извлеките лампу подсветки и вкрутите новую.
1. Винт крепления рычага прижимной лапки.
  2. Защитная крышка лампы.
  3. Винт крепления колпачка лампы.

## ТЕХНИЧЕСКАЯ ИНФОРМАЦИЯ

Предназначен для работы	С тканями в диапазоне от легких до плотных
Рабочая скорость	1200 стежков в минуту
Длина стежка (шаг)	1,1 - 4 мм (3/64 - 5/32 дюйма)
Ширина стежка (шаг)	2,3 - 7,0 мм (5/64 - 9/32 дюйма)
Прижимная лапка	Сменная прижимная лапка
Подъем прижимной лапки	5 - 6 мм (3/16 - 15/64 дюйма)
Ход игловодителя	25 мм (1 дюйм)
Игла	HAx1
Количество игл и нитей	Перестройка на трех - или четырех-ниточной стежок. Работа с двумя иглами или одной иглой
Вес машины нетто	7,0 кг.
Набор игл HAx1	№80 (2), №90 (2)
Модель	<b>TRIUMPHATOR 1700X / 1800 X</b>

## ТАБЛИЦА НАСТРОЙКИ РАЗНОВИДНОСТЕЙ ШВОВ

### ПРОЧАЯ ИНФОРМАЦИЯ:

#### УТИЛИЗАЦИЯ

Для утилизации данного изделия рекомендуем не выбрасывать его вместе с обычным бытовым мусором. Для предотвращения потенциально негативного воздействия на окружающую среду соблюдайте процедуры по обработке, утилизации и вторичной переработке использованных электронных изделий.

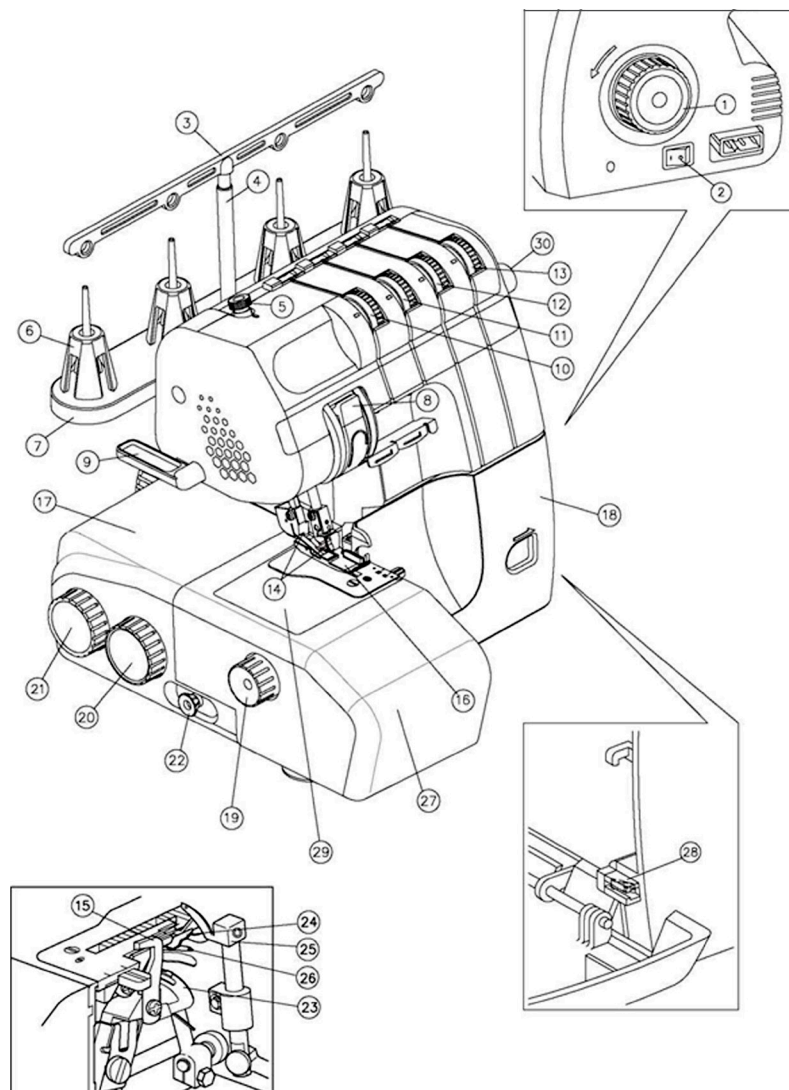
При возникновении гарантийных случаев - обращайтесь в рекомендованные сервисные центры.

№	Название шва	Натяжение			
		I	II	III	IV
1•	2-х игольный 3-х ниточный Flatlock	1	1	-	8
2•	2-х ниточный ролевой	-	4	-	4
3•	2-х ниточный узкий	-	4	-	4
4•	2-х ниточный широкий Flatlock	1	-	-	8
5•	2-х ниточный широкий со сборкой	4	-	-	4
6•	2-х ниточный широкий	4	-	-	4
7•	3-х ниточный 2-х игольный со сборкой	4	4	-	4
8•	3-х ниточный 2-х игольный	4	4	-	4
9	3-х ниточный ролевой	-	4	4	4
10	3-х ниточный узкий Flatlock	-	0	1	8
11	3-х ниточный узкий плотный	-	4	4	4
12	3-х ниточный узкий со сборкой	-	4	4	4
13	3-х ниточный узкий	-	4	4	4
14	3-х ниточный широкий Flatlock	0	-	1	8
15	3-х ниточный широкий плотный	4	-	4	4
16	3-х ниточный широкий со сборкой	4	-	4	4
17	3-х ниточный широкий	4	-	4	4
18	4-х ниточный плотный	4	4	4	4
19	4-х ниточный с присбариванием	4	4	4	4
20	4-х ниточный	4	4	4	4

Длина	Ширина	Дифференциальная подача	Ширитель	Конвектор
2-4	5-7	1	N	+
R	R	1	R	+
2-4	5-7	1	N	+
2-4	5-7	1	N	+
2-4	5-7	2	N	+
2-4	5-7	1	N	+
2-4	5-7	2	N	+
2-4	5-7	1	N	+
R	R	1	R	-
2-4	5-7	1	N	-
R	5-7	1	N	-
2-4	5-7	2	N	-
2-4	5-7	1	N	-
2-4	5-7	1	N	-
R	5-7	1	N	-
2-4	5-7	2	N	-
2-4	5-7	1	N	-
R	5-7	1	N	-
2-4	5-7	2	N	-
2-4	5-7	1	N	-

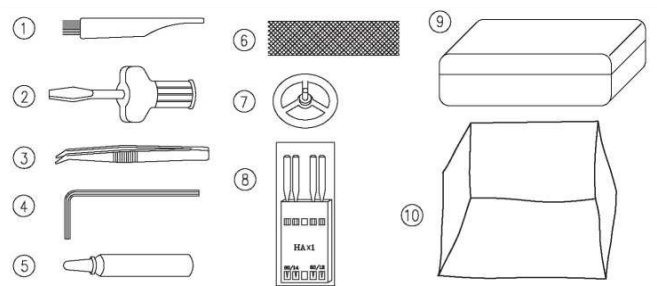
• Номера швов с 1 по 8 доступны только для модели Triumphator 1800X

## NOMBRE DE LAS PARTES PRINCIPALES

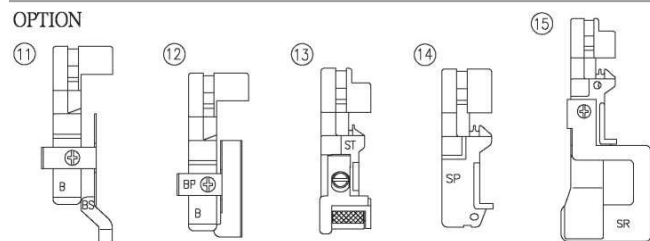


1. Volante
2. Interruptor de encendido y luz de fondo
3. Guía del hilo
4. Soporte de la guía del hilo
5. Perilla para regular la presión del pie sobre la tela
6. Portaconos
7. Soporte de carretes
8. Tapa del tirahilos
9. Palanca de elevación del prénsatelas
10. Ajuste de la tensión del hilo de la aguja izquierda
11. Selector de tensión del hilo de la aguja derecha
12. Ajustador de tensión del hilo del áncora superior
13. Ajustador de tensión del hilo del áncora inferior
14. Agujas
15. Cuchilla superior
16. Prénsatelas
17. Plataforma para colocar tela
18. Tapa frontal
19. Ajustador de ancho de puntada
20. Ajustador para ajustar la longitud de la puntada
21. Regulador de alimentación diferencial
22. Palanca de ajuste de la cuchilla superior
23. Guía del hilo del áncora inferior
24. Arrastradera del mecanismo de avance de la tela
25. Garfio superior
26. Garfio inferior
27. Plataforma de mangas
28. Micro fusible
29. Cubre brazo
30. Botón para liberar instantáneamente la tensión del hilo

## ACCESORIOS SUMINISTRADOS EN EL SET



### OPTION



Los números de las ilustraciones corresponden a los números de los accesorios de costura:

- |   |   |
|---|---|
| 1. Cepillo  | 10. Estuche overlock                                    |
| 2. Destornillador   | Opcional (no incluido en kit, comprado por separado)    |
| 3. Pinzas   | 11. Prensateclas para puntada invisible                 |
| 4. Llave Allen  | 12. Prensateclas para costura de abalorios/ lentejuelas |
| 5. Aceite   | 13. Prensateclas para puntadas elásticas                |
| 6. Malla (4)  | 14. Prensateclas hornea                                 |
| 7. Tope de la bobina hilo (4)                               | 15. Pie de montaje                                      |
| 8. Un juego de agujas: Hax1.80 /12: 2 uds.<br>90/14: 2 uds. |   |
| 9. Caja de costura  |   |

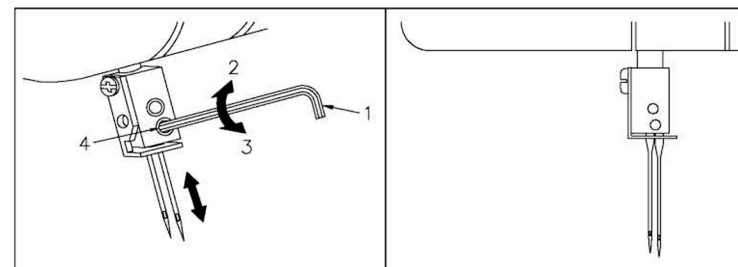
## AGUJA

Este overlock está diseñado para trabajar con agujas estándar.

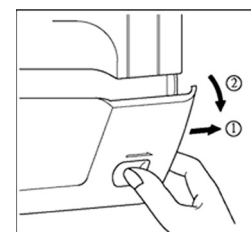
Utilice agujas Hax1 (130 / 70SH)

Reemplazo de la aguja

1. Gire el volante hacia usted para llevar la aguja su posición máxima.
2. Afloje el tornillo de la abrazadera de la aguja con la llave hexagonal suministrada.
3. Inserte una nueva aguja en el porta agujas (con el lado plano hacia usted) hasta el tope.
4. Apriete el tornillo de la presilla de la aguja.



## CÓMO QUITAR LA CUBIERTA FRONTAL



Para quitar la cubierta frontal, deslícela hacia la derecha al máximo, como se muestra en la fig. 1. Tire de la tapa hacia usted como se muestra en la Fig. 2

**⚠ ¡ATENCIÓN!**

Antes de comenzar a usar, asegúrese de que la cubierta frontal esté instalada en su lugar!

**EMPEZAR A COSER**

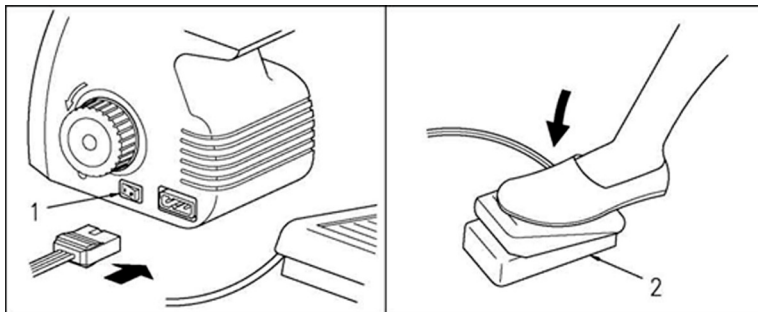
Conecte el overlock. Accione el interruptor de la fuente de alimentación a la posición "1". Cuando el overlock enciende la luz indicadora se prenderá. Para apagar el overlock, deslice el interruptor de encendido a posición "0". En este caso, la luz indicadora se apagará.

El motor del dispositivo no puede realizar su trabajo si se quita cubierta frontal.

**PEDAL**

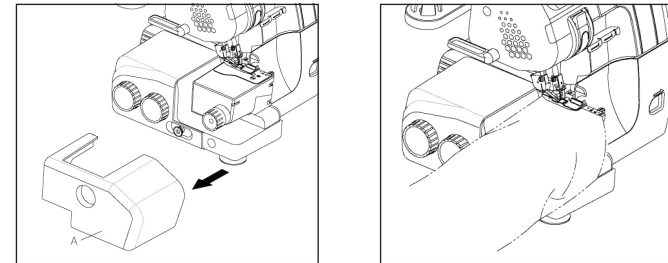
Diseñado para regular la velocidad de costura.

1. Interruptor de encendido
2. Pedal



**USANDO LA PLATAFORMA DE MANGAS**

1. Deslice la cubierta "A" hacia la izquierda.
2. Para comenzar a trabajar, deslice la manga o el puño sobre el estrecho de la plataforma.



**AJUSTE DE LA LONGITUD DE LA PUNTADA:**



1. Para la mayoría de las operaciones de costura la perilla de ajuste de la longitud de la puntada debe estar ajustada a la marca de 3 mm (7/64 pulg.).
2. Para tejidos gruesos, coloque el asa ajustando la longitud de la puntada a la marca de 4 mm (5/32 pulgadas).

**AJUSTE DE LA ANCHURA DE LA PUNTADA**

**Overlocks de dos agujas**

- (1) Gire el dial hacia arriba para reducir el ancho de la puntada.

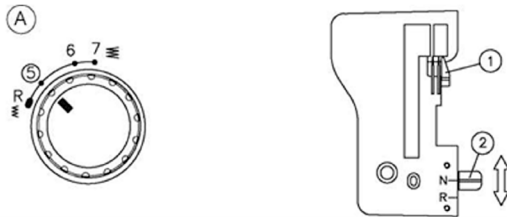


El ancho de puntada, ubicado junto a la funda extraíble.

Para aumentar el ancho de la puntada, gire esta perilla hacia abajo.

El ancho de la puntada se puede ajustar desde R 4.5 mm (11/64 ") a 7 mm (9/32").

El ancho de una puntada estándar para costura overlock normal es de 5 mm (13/64 pulgadas).

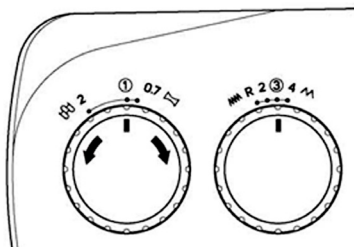


## ALIMENTACIÓN DIFERENCIAL DE TEJIDOS

Para lograr la tasa de avance de tejido requerida, ajuste el regulador de alimentación diferencial como se muestra en la siguiente figura.

La alimentación diferencial de la tela se puede ajustar en el rango de 0,7 a 2,0.

El valor predeterminado es 1.0



FINALIDAD Y LOGRADO DEL EFECTO	TIPO DE SERVICIO	ALIMENTADOR PRINCIPAL DE TELA (REJILLA TRASERA)	MECANISMO DE ALIMENTACIÓN DIFERENCIAL (CARRIL DELANTERO)	CONFIGURACIÓN
Prevención de costuras onduladas.	Avance diferencial con valor positivo			1,0 - 2,0
Sin alimentación diferencial	Alimentación neutra			1,0
Prevención de atascos de tejidos	Avance diferencial con valor negativo			0,7 - 1,0

## ALIMENTACIÓN DIFERENCIAL DE TEJIDOS

El mecanismo de alimentación diferencial se utiliza para evitar costuras onduladas y arrugas en la tela.

Además, este mecanismo te permite juntar tela.

### ATASCO DE LA TELA

Los atascos son comunes cuando se trabaja con artículos tejidos o tejidos ligeros. Para costuras uniformes, coloque el ajustador de alimentación diferencial hasta una marca por debajo del nivel 1.

### PUNTADAS ONDULADAS

Pueden aparecer puntadas onduladas al coser tejidos de punto o tejidos

elásticos.

Para evitar costuras onduladas, coloque el ajustador de alimentación diferencial hasta una marca por debajo del nivel 1.

**RECOGER TELA**

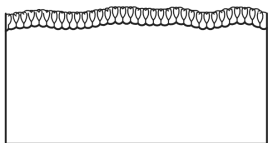
El mecanismo de alimentación diferencial es para una fácil recolección de tejidos ligeros. Aproveche esta oportunidad para realizar costuras del área de la cintura, costura en mangas, la parte inferior de las mangas, puños, etc.

Para unos resultados de montaje óptimos en la tela, coloque el ajustador de alimentación diferencial entre las marcas 1.5 y 2.



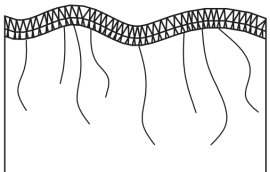
**COSTURA LISA**

Ropa sin líneas onduladas



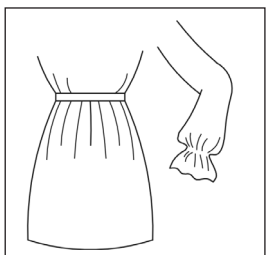
**COSTURA DESIGUAL**

Atasco de tela (sin recolección)



**COSTURA ONDULADA**

Borde ondulado de la tela (sin arrugas)

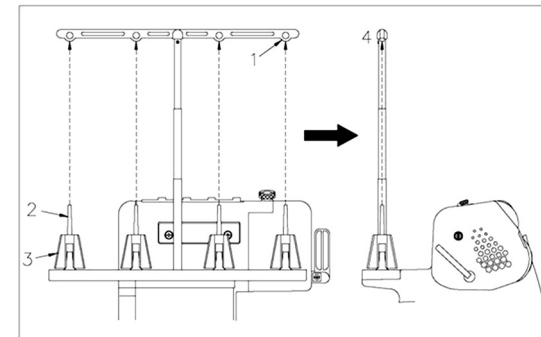


**ENSAMBLES**

Con tela recogida

**INSTALACIÓN DEL BASTIDOR DE GUÍA DE HILO**

El overlock viene con un soporte de guía de hilo en la parte inferior. Levante el soporte de la guía del hilo hasta el extremo superior. Luego ajuste la posición de la guía del hilo.



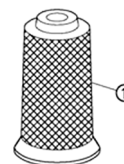
**GUÍAS DE HILO**



El tapón sirve para fijar el carrete de hilo en varilla overlock.

1. Limitador para el carrete de hilo.

**RED DE HILO**



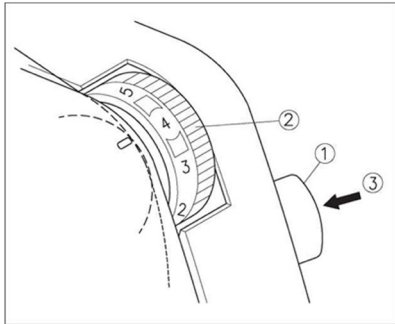
Dejando el carrete, poliéster o nailon los hilos sueltos pierden tensión.

Para mantener una velocidad de alimentación constante de dichos hilos sirve como malla, se coloca sobre la bobina.

1. Malla.

## BOTÓN DE LIBERACIÓN DE TENSION DEL HILO

El overlock está equipado con un botón para liberar instantáneamente la tensión del hilo.

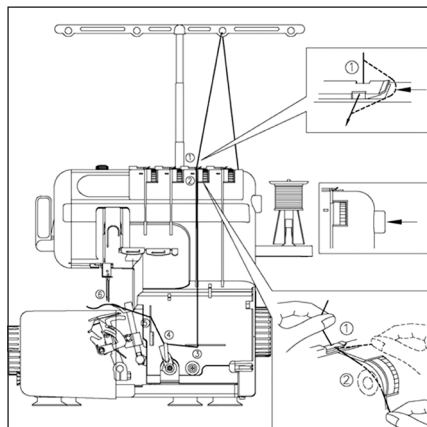


Al enhebrar los hilos, siga estos pasos:

1. Presione el botón de debilitamiento tensión del hilo ubicado a la derecha de la perilla de ajuste de tensión.
2. Pase el hilo por el disco de control de tensión, en la ranura detrás del mango de ajuste de tensión.
3. Presione el botón.

## ENHEBRADO DEL ÁNCORA SUPERIOR

Enhebre el áncora superior como se muestra en el diagrama (posiciones 1-6).

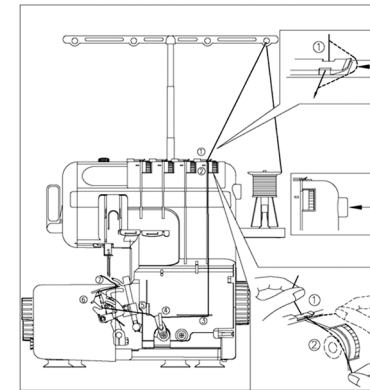


1. Saque el hilo del carrete y tirelo hacia usted a través del agujero de la guía del hilo en el soporte.
2. Pase el hilo por la guía del hilo (artículo 1).
3. Luego, enhebre el hilo en la ranura y deslice el dedo por el dial de control de tensión ubicado junto a la perilla de ajuste de tensión (posición 2).

4. Pase el hilo hacia el áncora superior, pasando a través de las guías de hilo 3-5, marcadas en verde en el caso de overlock.
5. Pase el hilo a través del orificio del áncora superior (ver posición 6).

## ENHEBRADO DEL ÁNCORA INFERIOR

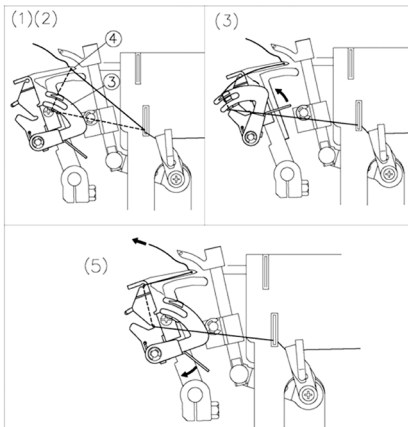
Enhebre el áncora inferior como se muestra en el diagrama (posiciones 1-7).



1. Saque el hilo del carrete hacia usted a través de la guía del hilo en el mostrador.
2. Pase el hilo por la guía del hilo (posición 1).
3. Luego, enhebre el hilo en la ranura y deslice el dedo por el dial de control de tensión ubicado junto a la perilla de ajuste de tensión (posición 2).
4. Guíe el hilo hacia el ojal inferior pasándolo por las guías de hilo 3-7 marcadas en azul en el cuerpo del overlock.

## UTILIZAR EL MECANISMO AUTOMÁTICO ENHEBRADO DE BUCLE INFERIOR

1. Pase el hilo por el orificio del áncora inferior (posición 1-2)
2. Pase el hilo por la palanca del



enhebrador de agujas  
(posición 3).

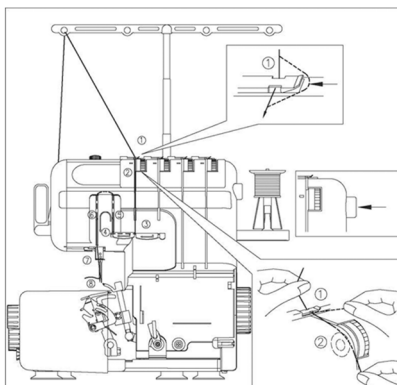
3. Mueva la palanca del garfio inferior (posición 5) a la posición más alta para que el extremo de la palanca esté a la par con la marca azul.
4. Suelte la palanca de la lanzadera inferior (posición 5) y luego tire del hilo por la parte posterior del pie.

### SIGA, QUE LOS HILOS NO SE ENREDAN!

Tire de los hilos para que el hilo del áncora inferior se ubique debajo del hilo del áncora superior.

## ENHEBRADO DE LA AGUJA IZQUIERDA

Enhebre la aguja izquierda como se muestra en el diagrama (posiciones 1-8).

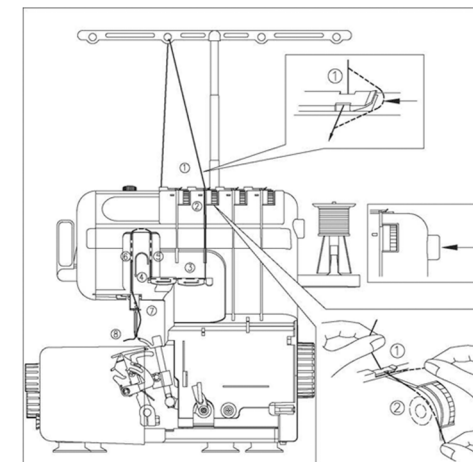


1. Saque el hilo del carrete y tirando hacia usted a través del agujero de la guía del hilo en el soporte.
2. Pase el hilo por la guía del hilo (posición 1).
3. Luego, enhebre el hilo en la ranura y deslice el dedo por el dial de control de Tensión, localizada junto a la perilla de ajuste de tensión (posición 2).

4. Pase el hilo según las posiciones 3-5.
5. A medida que el hilo pasa por la posición 6, tire de él hacia abajo el hilo pasa a través de la guía del hilo (posición 7), luego el hilo pasa a través de la aguja izquierda (posición 8).

## ENHEBRAR LA AGUJA DERECHA

Enhebre la aguja derecha como se muestra en el diagrama (posiciones 1-8).



1. Saque el hilo del carrete y páselo hacia usted a través del agujero de la guía del hilo en el soporte.
2. Pase el hilo por la guía del hilo (posición 1).
3. A continuación, introduzca el hilo en la ranura y páselo por el disco de control de tensión ubicado cerca con botón de ajuste de tensión (posición 2).
4. Pase el hilo según las posiciones 3-5.
5. Mientras pasa el hilo por la posición 6, guíelo hacia abajo para pasarlo por la guía del hilo (posición 7), luego pase el hilo por la aguja izquierda (posición 8).

## TABLA DE COMBINACIONES DE TEJIDOS, HILOS Y AGUJAS

TEJIDOS		TIPO DE PUNTADA	LONGITUD DE LA PUNTADA (MM)	HILOS	AGUJAS
Tejidos ligeros	Punto de crepe de chine georgette lino organza	Costura overlock	2,0 - 3,0	Sintéticos de fibras: Nº 80 algodón: Nº 80, 100 seda: n.º 80, 100	HAX1 Nº70 Nº80
Tejidos ligeros	Crepe de chine georgette batiste organza	Estrecho / dobladillo	Menos de 2.0	Hilo de aguja: poliéster: Nº 80 nailon: Nº 80 Hilo de lanzadera: poliéster: N280 nailon: Nº80 conjunto hilos de lana y nylon	HAX1 Nº70 Nº80
Tejidos de tipo medio	Punto de popelín de guirnalda en gabardina	Costura overlock	2,5 - 3,5	Sintéticos de fibras: No. 60, 80 algodón: Nº60, 80 seda: Nº 50, 80 nailon: Nº 50, 80 poliéster: # 50, 80	HAX1 Nº80 Nº90
Tejidos gruesos	Jersey vaquero de cachemira	Costura overlock	3,0 - 4,0	Algodón: Nº 40, 60 seda: Nº 40, 60 nailon: Nº30, 60 poliéster: # 30, 60	HAX1 Nº90

**△ NOTA:**  
Para la costura decorativa, recomendamos introducir en el áncora superior los hilos decorativos.

## AJUSTE DE LA TENSIÓN DEL HILO

Cuando el ajustador de tensión se gira en la dirección de valores crecientes aumentará la tensión del hilo.

Cuando el ajustador de tensión se gira en la dirección de valores decrecientes la tensión del hilo se aflojará.

Verifique la tensión de cada hilo en la tela que está utilizando para trabajar.



Para realizar la mayoría las operaciones del regulador puede estar establecido en "4".

**△ NOTA:**  
Si no puede ajustar correctamente la tensión del hilo, consulte otras ilustraciones que muestran el orden de acción "en tal caso".

## TABLA DE AJUSTE DE TENSIÓN (OVERLOCK DE DOBLE CABEZAL)

A Lado sórdido

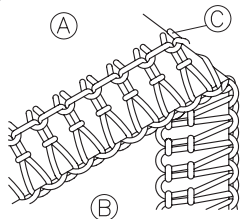
B Anverso

C Hilo de la aguja izquierda

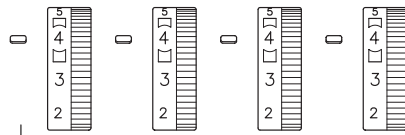
D Hilo de la aguja derecha

E Hilo del áncora superior

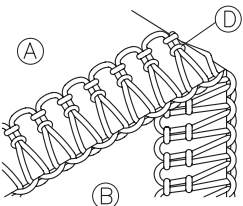
F Hilo del áncora inferior



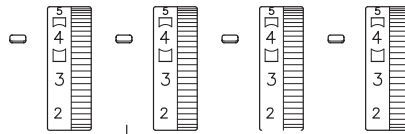
Tensión del hilo insuficiente aguja izquierda



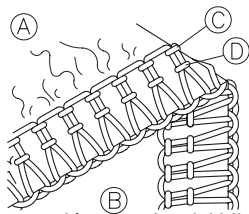
Aumente la tensión del hilo de la aguja izquierda



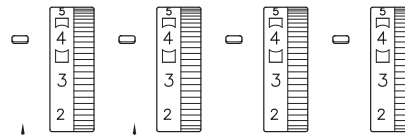
Tensión del hilo insuficiente aguja derecha



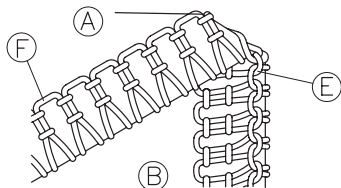
Aumente la tensión del hilo de la aguja derecha



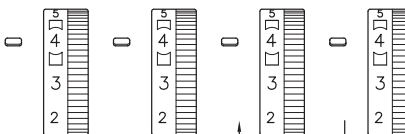
Tensión excesiva del hilo de la aguja izquierda



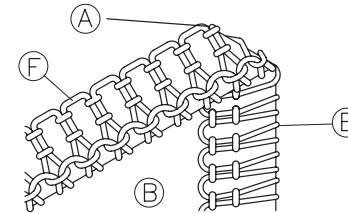
Afloje la tensión del hilo de la aguja izquierda



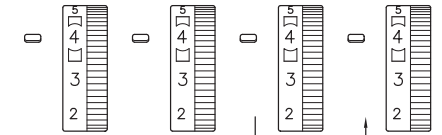
Tensión excesiva del hilo superior.  
Tensión insuficiente del áncora inferior



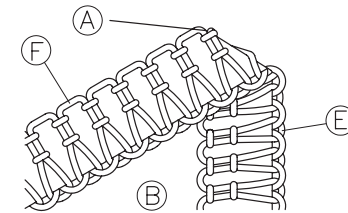
Afloje la tensión del hilo de la parte superior



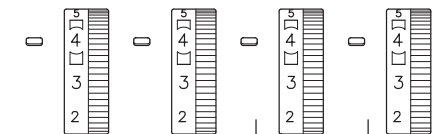
La tensión del hilo del áncora superior no es suficiente. Tensión excesiva del hilo del áncora



Aumente la tensión del hilo áncora superior

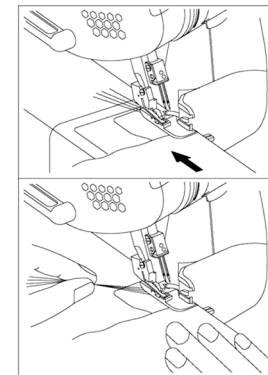


Tensión del hilo insuficiente áncora superior



Aumente la tensión del hilo áncora inferior

## COSTURA DE PRUEBA



Después de enhebrar los hilos correctamente, puede comenzar a hacer la costura de prueba.

1. Levante el prensatelas, coloque una muestra de tela debajo y comience a coser.

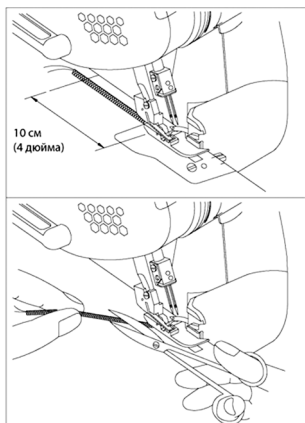
No levante el prensatelas mientras trabaja en overlock, ya que la costura será desigual.

2. Antes de pisar el pedal, gire el volante en el sentido de las agujas del reloj, mientras sostiene extremo del hilo con la mano izquierda. Compruebe el modo de funcionamiento al

mismo tiempo.

3. Presione ligeramente el pedal de control.

## COSTURA DE CADENA



Después de terminar la costura de prueba, mantenga el pedal pisado, para continuar la costura sobre el borde unos 10 cm (4 pulgadas) de tela.

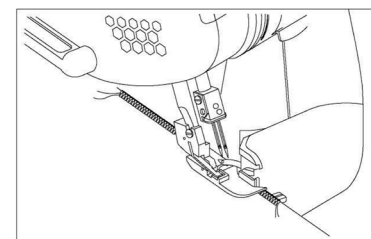
El overlock coserá automáticamente una puntada de cadena.

- La tensión del hilo desigual dará como resultado una puntada de cadena desigual.

En este caso, mientras sostiene el extremo del hilo con la mano, verifique que el hilo esté enhebrado correctamente y ajuste la tensión. Después del ajuste, la puntada de cadena se ejecutará sin problemas

## ROTURA DEL HILO DURANTE EL PROCESO DE COSTURA

- Si el hilo se rompe durante la operación, retire la tela de debajo del prensatelas y luego enhebre en el orden correcto:
  1. Enhebre el ánclora superior, el ánclora inferior y la aguja derecha.
  2. A continuación, enhebre la aguja izquierda y luego coloque la tela debajo del prensatelas de modo que queden 3-5 cm de hilo hasta que se rompa.
  3. Continúe trabajando.



### △ NOTE:

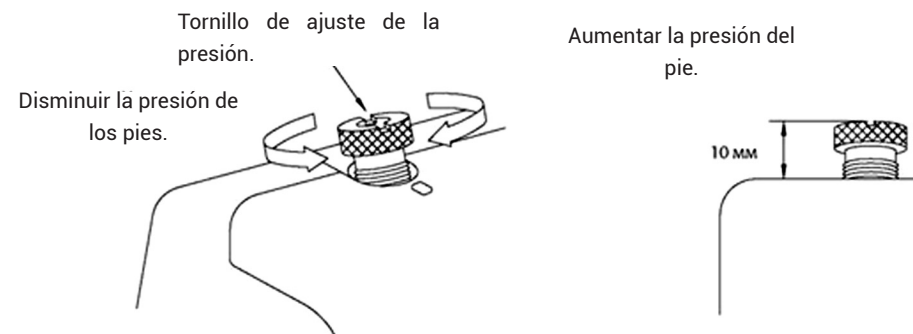
No tire de la tela desde abajo del prensatelas en curso de coser, porque como resultado la aguja se doblará, o se romperá.

## REGULACION DE PRESION DEL PRENSATELAS SOBRE TELA

- La presión del prensatelas sobre la tela se ajusta inicialmente para coser telas medianas
- Dependiendo del tipo de tejido, puedes cambiar la presión prensatelas con el tornillo de ajuste.

Para coser telas ligeras, la presión del prensatelas se debe reducir.

Para coser telas gruesas, la presión del prensatelas se debe incrementar.

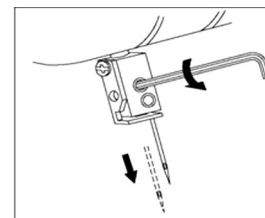


## FALLAS Y SOLUCIÓN DE PROBLEMAS

FALLA	CAUSA	MÉTODO DE SOLUCIÓN
La máquina no avanza la tela	Presión débil del prensatelas en la ropa	Aumente la presión del prensatelas contra la tela girando el tornillo de ajuste
Aguja rota	<ol style="list-style-type: none"> <li>1. La aguja está doblada o la punta de la aguja está desafilada.</li> <li>2. La aguja no está instalada correctamente.</li> <li>3. Forzar la extracción de la tela durante la costura.</li> </ol>	<ol style="list-style-type: none"> <li>1. Cambiar la aguja.</li> <li>2. Inserte correctamente la aguja en la abrazadera.</li> <li>3. Mientras cose, con cuidado guíe la tela con ambas manos.</li> </ol>
Обрыв нити	<ol style="list-style-type: none"> <li>1. Enhebrado incorrectamente.</li> <li>2. El hilo está enredado.</li> <li>3. La tensión del hilo es demasiado fuerte.</li> <li>4. La aguja no está instalada correctamente.</li> <li>5. Aguja mal colocada.</li> </ol>	<ol style="list-style-type: none"> <li>1. Llene la máquina correctamente.</li> <li>2. Compruebe el carrete de hilo, el soporte de la guía del hilo, etc. y retire los hilos enredados.</li> <li>3. Ajuste la tensión del hilo.</li> <li>4. Inserte correctamente la aguja en la abrazadera.</li> <li>5. Utilice las agujas recomendadas.</li> </ol>

Se saltan las puntadas	<ol style="list-style-type: none"> <li>1. La aguja está doblada o la punta de la aguja está desafilada.</li> <li>2. La aguja no está instalada correctamente.</li> <li>3. Aguja mal colocada.</li> <li>4. Enhebrado incorrecto.</li> <li>5. Presión débil del prensatelas en la ropa.</li> </ol>	<ol style="list-style-type: none"> <li>1. Cambiar la aguja.</li> <li>2. Inserte correctamente la aguja en la abrazadera.</li> <li>3. Utilice las agujas recomendadas.</li> <li>4. Reposte la máquina correctamente.</li> <li>5. Gire el tornillo de ajuste en el sentido de las agujas del reloj para aumentar la presión del prensatelas sobre la tela.</li> </ol>
Puntadas irregulares	Tensión incorrecta del hilo	Ajustar la tensión del hilo
Tejido atascado	<ol style="list-style-type: none"> <li>1. La tensión del hilo es demasiado fuerte.</li> <li>2. El hilo no está enhebrado correctamente en la aguja o se enredó.</li> </ol>	<ol style="list-style-type: none"> <li>1. Disminuya la tensión del hilo al coser telas finas y ligeras.</li> <li>2. Retire los hilos enredados y enhebre la máquina correctamente.</li> </ol>

## COSTURAS DE DOBLADILLO ENROLLADAS Y ESTRECHAS

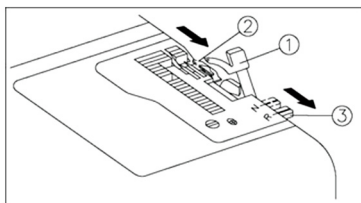


Las costuras de dobladillo enrolladas y estrechas son ideales para coser telas delicadas como crepé georgette, crepe de China, seda, etc.

1. Levante el prensatelas.
2. Retire la aguja izquierda.



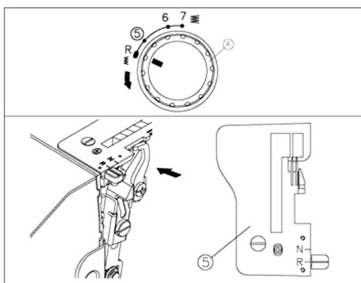
3. Enhebre la aguja derecha para coser una puntada overlock de 3 hilos. Luego mueva la palanca de los dientes de arrastre a la posición "R".



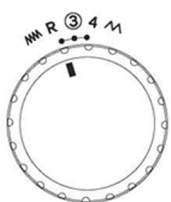
- △ NOTA:**  
Asegúrese de que los dientes de arrastre estén en su lugar antes de coser la puntada overlock estándar.
1. Áncora superior.

2. Cremallera dentada del mecanismo de avance de la tela.
3. Cremallera de palanca.

- (4) Configure el ancho de puntada requerido para coser dobladillo enrollado. Gire la perilla de ajuste del ancho de la puntada, ubicada junto a la cubierta frontal del overlock, a la posición "R".



4. Ajustador para ancho de puntada.
5. Placa de la aguja con los dientes de arrastre retraídos



- (5) Coloque el selector de longitud de puntada en la marca "R" como se muestra en la ilustración

## ESTRECHO BAJO LA COSTURA

Ajuste la tensión del hilo según las siguientes recomendaciones::

- Tensión del hilo del áncora superior - 4-6
- Tensión del hilo del áncora inferior - 4-6
- Tensión del hilo de la aguja derecha - 4-6

Los ajustes pueden variar ligeramente según el tipo de tejido e hilo utilizados.

## ENROLLADO BAJO COSTURA

Ajuste la tensión del hilo como se muestra a continuación.

recomendaciones:

- Tensión del hilo del áncora superior - 4-6
- Tensión del hilo del áncora inferior - 5-7
- Tensión del hilo de la aguja derecha - 4-6

La tensión puede variar ligeramente según el tipo de tejido e hilo utilizado.

## TABLA DE PATRONES DE DOBLADILLO ENROLLADO Y DOBLADILLO ESTRECHO

	COSTURA DE CABEZA OVERLOCK ESTRECHA	ENROLLADO BAJO COSTURA
Tipo de puntada	Revés de la tela	Revés de la tela

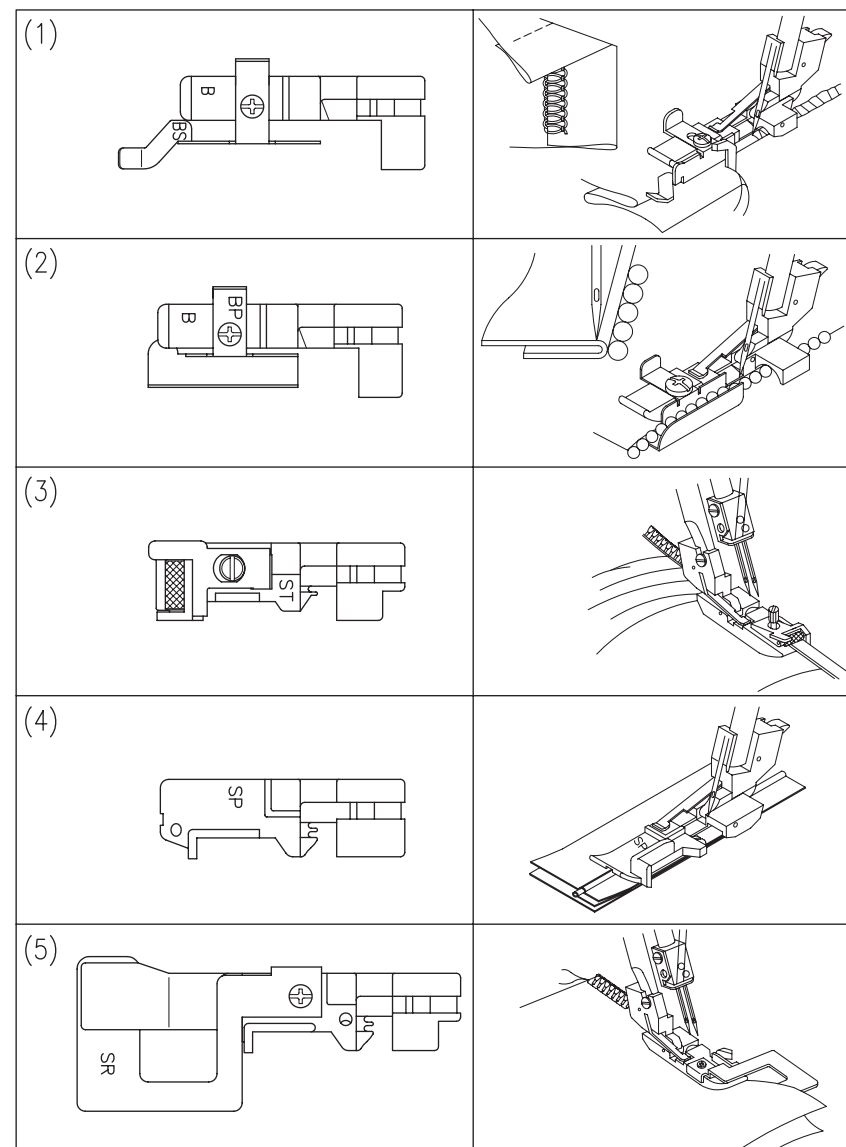
Tipo de tejido	Tejidos ligeros de crepé de China, georgette, lino, organza	Tejidos ligeros de crepé de China, georgette, lino, organza
Hilo de aguja	Hilos de nailon N°50– N° 100 Hilos de poliéster N°50 - N° 100	Hilos de nailon N° 100 Hilos de poliéster N° 100
Hilo del áncora superior	Hilos combinados de lana y nailon Hilo de nailon N° 100 Hilos de poliéster N° 100	Hilos combinados de lana y nailon Hilos decorativos
Hilo del áncora inferior	Hilos de nailon N° 50– N° 100 Hilos de poliéster N° 50- No. 100	Hilos de nailon N° 100 Hilos de poliéster N° 100
Largo de puntada	R	R
Ancho de puntada	R.5 (overlocks de dos agujas)	R.5 (overlocks de dos agujas)
Tensión del hilo	4(4-6)	4 (4-6)
Hilo de aguja	5(4-6)	4 (4-6)
Hilo superior	4 (4-6)	6 (5-7)
Pedal		
Hilo del áncora inferior		

## UTILIZAR DIFERENTES TIPOS DE PIES PRENSATELAS

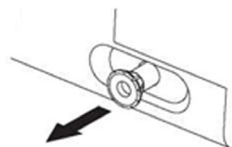
1. Prensateles para puntada invisible / costura a tope
2. Prensateles para cuentas / lentejuelas
3. Prensateles para puntadas elásticas

### 4. Prensateles para ribete oblicuo

### 5. Prensateles de tela recogida



## EXTRACCIÓN DE LA CUCHILLA SUPERIOR



Para trabajar en el overlock sin cortar la tela, mueva la palanca de ajuste de la cuchilla superior desde la marca 1 hasta la marca 2 y la cuchilla superior no se utilizará para trabajar.

## REEMPLAZO DE LA CUCHILLA

Se debe reemplazar la cuchilla desafilada.

### △ PRECAUCIÓN:

Desconecte el overlock antes de comenzar con el reemplazo de la cuchilla de la red, desconectando el cable de alimentación del tomacorriente.

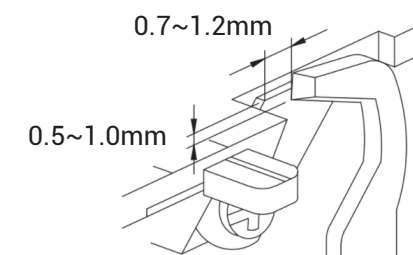
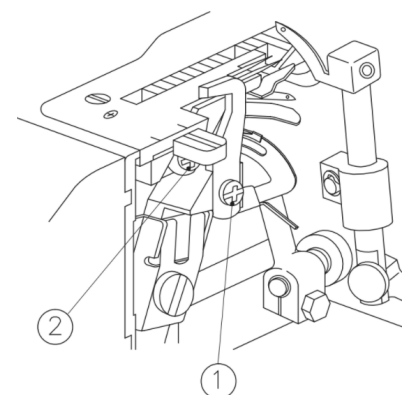
## REEMPLAZO LA CUCHILLA SUPERIOR

- Retire la tapa superior y levante la cuchilla a la posición más alta.
- Afloje el tornillo que sujeta la cuchilla superior y retírela.
- Coloque una cuchilla nueva en el soporte.
- Apriete el tornillo que fija la cuchilla superior.

**AJUSTE LA POSICIÓN DEL CUCHILLO SUPERIOR PARA QUE EL BORDE DE LA HOJA SUPERIOR ESTE A 0.5-1.0 MM FUERA DEL BORDE DE LA CUCHILLA INFERIOR.**

## REEMPLAZO DE LA CUCHILLA INFERIOR

- Afloje el tornillo que fija la cuchilla inferior y retírela.
  - Coloque una cuchilla nueva en el soporte.
  - La cuchilla inferior debe colocarse de manera que el borde de su hoja quede al mismo nivel que la placa.
  - Apriete el tornillo que fija la cuchilla inferior.
1. Tornillo de fijación de la cuchilla superior.
  2. Tornillo de fijación de la cuchilla inferior.



## PARA CONVERTIR EL CORCHETE SUPERIOR DE 2 HILOS

### △ CUIDADO:

Asegúrese de cortar el suministro eléctrico a la máquina al quitar o reemplazar el convertidor.

### PARA USAR EL CONVERTIDOR:

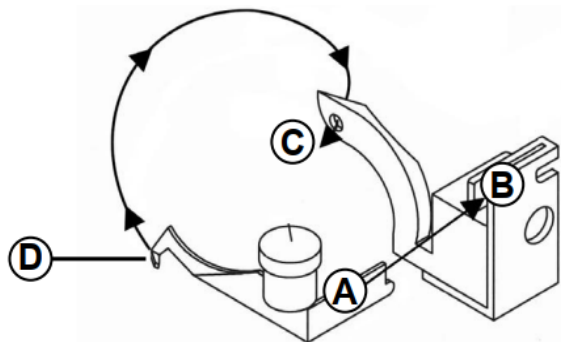
- 1) Abra la cubierta frontal y mueva la manivela para elevar la aguja hasta su posición más alta.
- 2) Deslice la placa (A) del convertidor dentro de la ranura (B) y lleve el convertidor del corchete superior (D) hacia arriba y al otro lado e introdúzcalo en el orificio (C).

**PARA VOLVER AL CORCHETE SUPERIOR:**

Deslice el extremo (D) del convertidor fuera del orificio (C) del corchete superior y quite el convertidor (A) de la ranura (B) del corchete.

**Nota:** Guarde el convertidor en la caja para accesorios cuando nolo use.

El convertidor sólo está disponible en el EFFEKTIV Triumphator 1800X.



**LIMPIEZA Y LUBRICACIÓN**

Para garantizar un rendimiento óptimo de la máquina, se debe limpiar y lubricar periódicamente.

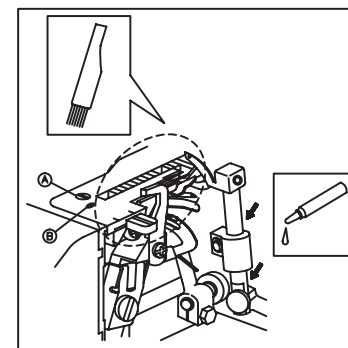
**¡ANTES DE HACER EL MANTENIMIENTO A LA MÁQUINA, DESCONECTE SIEMPRE DE LA FUENTE DE ALIMENTACIÓN RETIRANDO EL CABLE DE ALIMENTACIÓN DEL ENCHUFE!**

1. Quite la cubierta frontal.
2. Aplique una gota de aceite de máquina de coser en los puntos indicados por las flechas.

**UTILICE SIEMPRE ACEITE PARA MÁQUINAS DE COSER DE BUENA CALIDAD. ¡CUANDO UTILICE EL OVERLOCK CON FRECUENCIA, SE DEBE LUBRICAR UNA VEZ A LA SEMANA!**

**LIMPIEZA**

1. Utilice un cepillo para limpiar la placa de agujas.
2. Afloje el tornillo A. Retire la placa de agujas.

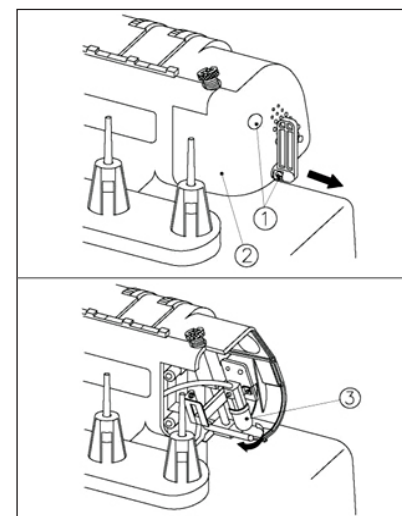


- El tornillo B es solo para reparación y ajuste de overlock. No afloje ni quite este tornillo

**SUSTITUCIÓN DE LA BOMBILLA**

Antes de quitar la cubierta protectora de la lámpara, desenchufe el dispositivo de la red retirando el enchufe de la toma de corriente.

- Afloje el tornillo de fijación de la palanca del prensatelas, levante el alzador del prensatelas y extráigalo del dispositivo.
- Afloje el tornillo que fija la tapa de la lámpara y retire cubrir como se muestra en la figura siguiente.



- Afloje el tornillo que fija la tapa de la lámpara, tire de la tapa y retírelo.
  - Saque la luz de fondo y atornille una nueva.
1. Tornillo de fijación de la palanca del pie prensatela.
  2. Cubierta protectora de la lámpara.
  3. Tornillo que fija la tapa de la lámpara.

## INFORMACIÓN TÉCNICA

Diseñado para funcionar	Con tejidos que van desde ligeros a densos.
Velocidad de funcionamiento	1200 puntadas por minuto
Longitud de la puntada (medida)	1,1 - 4 mm (3/64 - 5/32 pulg.)
Ancho de puntada (medida)	2,3 - 7,0 mm (5/64 - 9/32 pulg.)
Prensateles	Prensateles reemplazable
Ascenso del prensateles	5-6 mm (3/16 - 15/64 pulg.)
Movimiento de la barra de agujas	25 mm (1 pulgada)
Aguja	HAX1
Número de agujas e hilos	Ajuste mediante puntada de tres o cuatro hilos. Trabaja con una o dos agujas.
Peso neto de la maquina	7,0 kilos
Un juego de agujas Hax1	Nº80 (2), Nº90 (2)
Modelo	<b>TRIUMPHATOR 1700X / 1800 X</b>

## OTRA INFORMACIÓN:

### DISPOSICIÓN

Para deshacerse de este producto, le recomendamos que no lo tire junto con la basura doméstica normal.

Para prevenir el impacto potencialmente negativo en el medio ambiente siga los procedimientos de tratamiento, eliminación y reciclaje de productos electrónicos usados.

En caso de reclamaciones de garantía, póngase en contacto con centros de servicio recomendados.

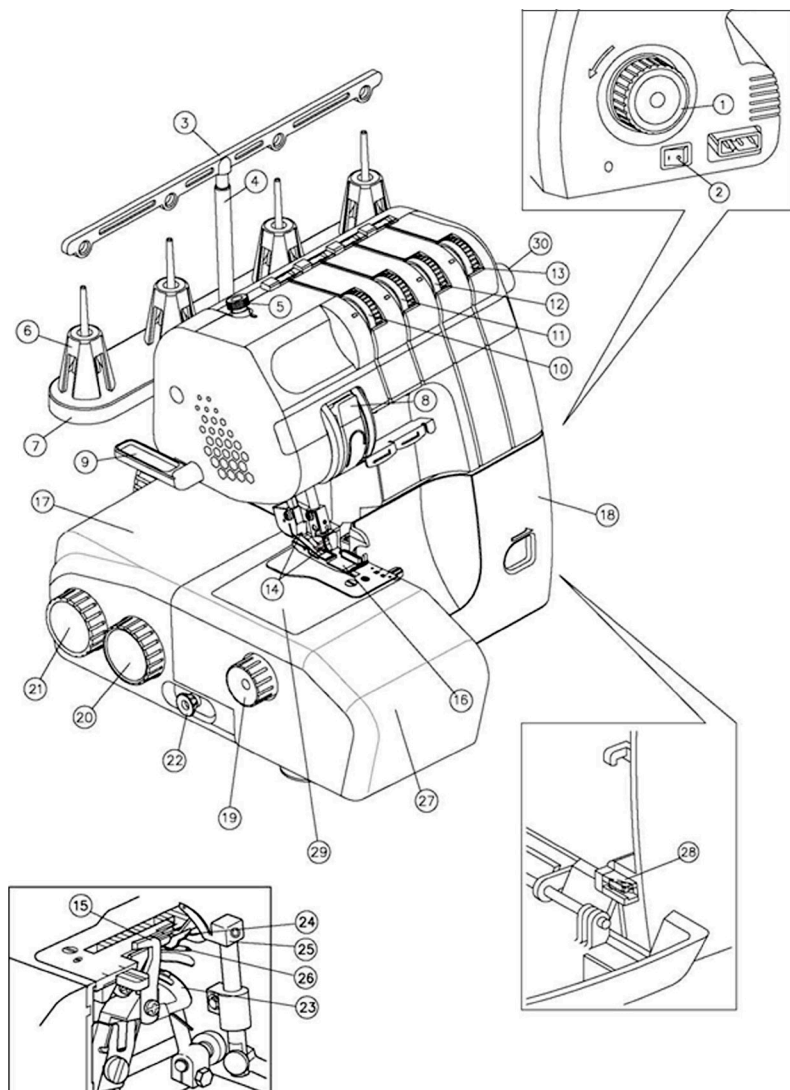
## TABLA DE AJUSTE DEL TIPO DE COSTURA

Nº	Nombre de la costura	Tensión			
		I	II	III	IV
1•	Flatlock de 2 agujas y 3 hilos	1	1	-	8
2•	Enrollado 2 hilos	-	4	-	4
3•	Estrecho 2 hilos	-	4	-	4
4•	Flatlock ancho de 2 hilos	1	-	-	8
5•	2 hilos de ancho con recogida	4	-	-	4
6•	2 hilos de ancho	4	-	-	4
7•	3 hilos 2 agujas con recogida	4	4	-	4
8•	3 hilos 2 agujas	4	4	-	4
9	Enrollado de 3 hilos	-	4	4	4
10	Flatlock estrecho de 3 hilos	-	0	1	8
11	3 hilos estrecho apretado	-	4	4	4
12	3 hilos estrecho con recogida	-	4	4	4
13	3 hilos estrecho	-	4	4	4
14	Flatlock ancho de 3 hilos	0	-	1	8
15	Denso de 3 hilos de ancho	4	-	4	4
16	3 hilos de ancho con recogida	4	-	4	4
17	3 hilos de ancho	4	-	4	4
18	4 hilos apretados	4	4	4	4
19	4 hilos con recogido	4	4	4	4
20	4 hilos	4	4	4	4

Longitud	Ancho	Avance diferencial	Esparcidor	Convector
2-4	5-7	1	N	+
R	R	1	R	+
2-4	5-7	1	N	+
2-4	5-7	1	N	+
2-4	5-7	2	N	+
2-4	5-7	1	N	+
2-4	5-7	2	N	+
2-4	5-7	1	N	+
R	R	1	R	-
2-4	5-7	1	N	-
R	5-7	1	N	-
2-4	5-7	2	N	-
2-4	5-7	1	N	-
2-4	5-7	1	N	-
R	5-7	1	N	-
2-4	5-7	2	N	-
2-4	5-7	1	N	-
R	5-7	1	N	-
2-4	5-7	2	N	-
2-4	5-7	1	N	-

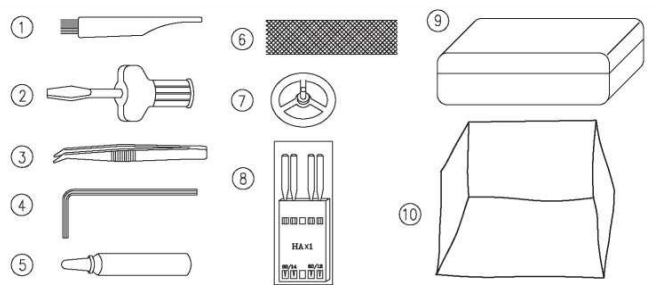
• Los números de costura del 1 al 8 solo están disponibles para Triumphator 1800X

## NOM DES PARTIES PRINCIPALES

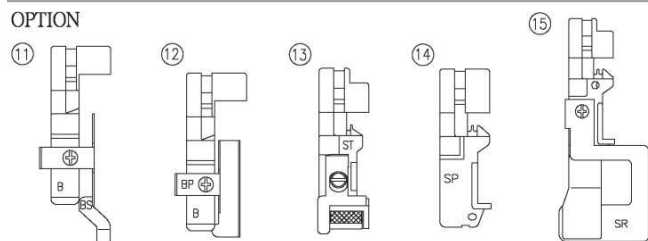


1. Volant
2. Interrupteur marche-arrêt/lumière
3. Guide-fil
4. Support du guide-fil
5. Vis de réglage de la pression du pied presseur sur le tissu
6. Porte-bobine
7. Support de bobine
8. Couvercle du releveur de fil
9. Levier releveur du pied presseur
10. Molette de réglage de tension du fil de l'aiguille gauche
11. Molette de réglage de tension du fil de l'aiguille droite
12. Molette de réglage de tension du fil du boucleur supérieur
13. Molette de réglage de tension du fil du boucleur inférieur
14. Aiguilles
15. Couteau supérieur
16. Pied presseur
17. Plateforme de placement de tissu
18. Capot avant
19. Molette de réglage de largeur de point
20. Molette de réglage de longueur de point
21. Molette de réglage de l'alimentation différentielle
22. Levier de réglage du couteau supérieur
23. Guide-fil du boucleur inférieur
24. Griffes d'entraînement
25. Boucleur supérieur
26. Boucleur inférieur
27. Tablette à tissu
28. Micro fusible
29. Couvercle de la plateforme pour manche
30. Bouton de relâchement instantané de la tension du fil

## ACCESSOIRES FOURNIS AVEC LA SURJETEUSE



### OPTION



Les numéros sur les illustrations correspondent aux numéros des accessoires de couture:

- |  |   |
|--|---|
| 1. Brosse  | 10. Housse de rangement pour surjeteuse                               |
| 2. Tournevis   | Optionnel (non inclus dans les accessoires fournis, vendu séparément) |
| 3. Pincette  | 11. Pied pour point invisible   |
| 4. Clé Allen   | 12. Pied à coudre pour pose de perles / paillettes                    |
| 5. Huile   | 13. Pied de ruban élastique   |
| 6. Filet   | 14. Pied pose biais   |
| 7. Bloque-bobines (4)  | 15. Pied de shirring rassembleur                                      |
| 8. Ensemble d'aiguilles: Hax1.80/12 : 2 pièces. 90/14 : 2 pièces |   |
| 9. Boîte à couture   |   |

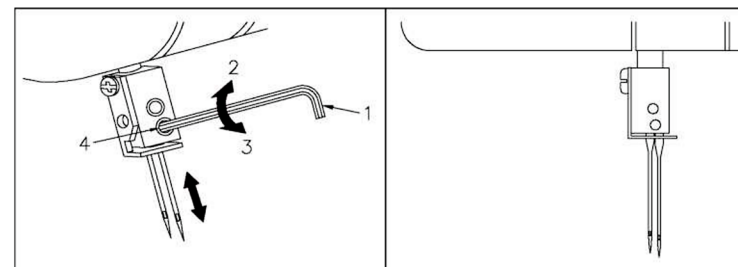
## AIGUILLE

Cette surjeteuse est conçue pour fonctionner avec des aiguilles standard.

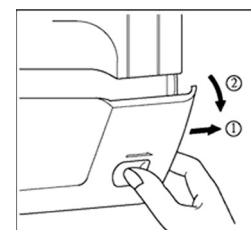
Utilisez des aiguilles Hax1 (130 / 70SH)

Changement d'aiguille

1. Tournez le volant vers vous pour amener l'aiguille dans sa position la plus haute.
2. Désérrez la vis du support de l'aiguille avec la clé Allen fournie.
3. Insérez une nouvelle aiguille dans le porte-aiguille (du côté plat vers l'extérieur) aussi loin que possible.
4. Serrez la vis du porte-aiguille.



## COMMENT RETIRER LE CAPOT AVANT



Pour retirer le capot avant, faites-le glisser le plus possible vers la droite, comme indiqué sur la figure numéro 1.

Tirez le capot vers vous comme indiqué sur la figure numéro 2.



**△ ATTENTION**

Assurez-vous que le capot avant est en place avant de commencer le travail!

**DÉBUT DE LA COUTURE**

Branchez la surjeteuse à une prise électrique. Mettez l'interrupteur d'alimentation de l'appareil sur la position «1». Le voyant lumineux s'allume lorsque la surjeteuse est activée.

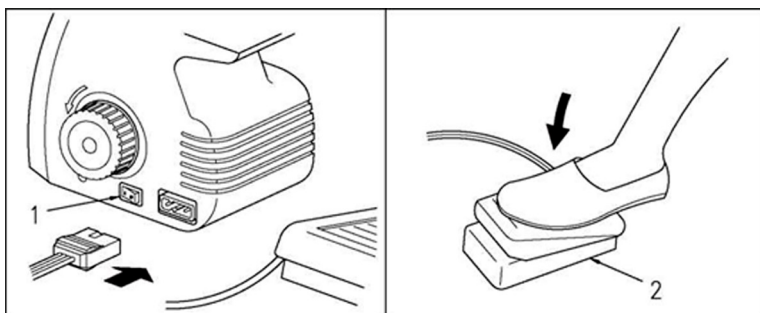
Pour éteindre la surjeteuse, mettez l'interrupteur d'alimentation sur la position «0». Dans ce cas, le voyant lumineux s'éteint.

Le moteur de l'appareil ne peut pas effectuer son travail si le capot avant de la surjeteuse est retiré.

**PÉDALE RHEOSTAT**

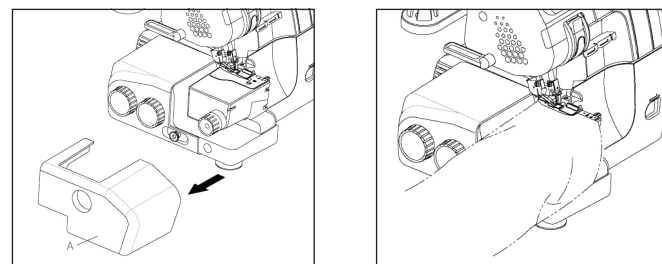
Destinée à réguler la vitesse de couture.

1. Interrupteur d'alimentation
2. Pédale rhéostat



**UTILISATION DE LA PLATEFORME POUR MANCHE**

1. Deslice la cubierta "A" hacia la izquierda.
2. Pour commencer le travail, glissez la manche ou le brassard sur l'étroite plateforme pour manche.



**RÉGLAGE DE LA LONGUEUR DE POINT**



1. Pour la plupart des opérations de couture, la molette de réglage de la longueur de point doit être tournée sur 3 mm (7/64 pouces).
2. Pour les tissus épais, tournez la molette de réglage de la longueur de point sur 4 mm (5/32 pouces).

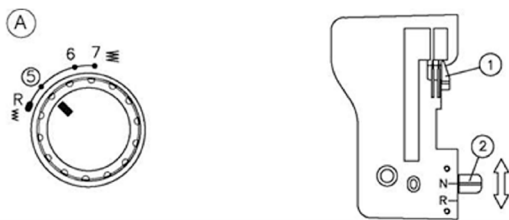
**Réglage de la largeur de point**

**Surjeteuse à deux aiguilles**

- (1) Pour réduire la largeur du point, tournez vers le haut la molette située à côté du couvercle amovible.

Pour élargir la largeur du point, tournez cette molette vers le bas. La largeur du point peut être réglée de R 4,5 mm (11/64 pouces) à 7 mm (9/32 pouces).

La largeur d'un point de surjet standard est de 5 mm (13/64 pouces).

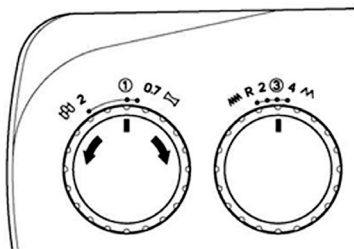


## ALIMENTATION DIFFÉRENTIELLE

Pour atteindre la vitesse d'entraînement de tissu souhaitée, réglez la molette d'alimentation différentielle comme indiqué sur la figure ci-dessous.

L'alimentation différentielle peut être réglée entre 0,7 et 2,0.

La valeur par défaut est 1,0.



BUT ET EFFET ATTEINT	TYPE D'ALIMENTATION DIFFÉRENTIELLE	ALIMENTADOR PRINCIPAL DE TELA (REJILLA TRASERA)	MECANISMO DE ALIMENTACIÓN DIFERENCIAL (CARRIL DELANTERO)	CONFIGURACIÓN
Préventions des coutures ondulés.	Alimentation différentielle à valeur positive			1,0 - 2,0
Collecte de tissu.	Alimentation neutre			1,0
Sans alimentation différentielle	Alimentation différentielle à valeur négative			0,7 - 1,0
Prévention des plis du tissu	Alimentation différentielle à valeur négative			

## ALIMENTATION DIFFÉRENTIELLE

Le mécanisme d'alimentation différentielle est utilisé pour éviter les coutures ondulées et les plis du tissu.

En outre, ce mécanisme vous permet de collecter du tissu.

### PLIS DU TISSU

Les plis se forment quand vous travaillez avec des tissus tissés ou légers. Pour obtenir des coutures lisses, mettez la molette de réglage de l'alimentation différentielle sur un repère inférieur à 1.

### LIGNES ONDULÉES

Les lignes ondulées peuvent se former lors de la couture de tissus tricotés

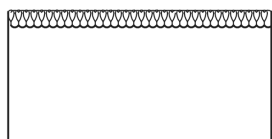
ou élastiques.

Pour éviter la formation des lignes ondulées, mettez la molette de réglage de l'alimentation différentielle sur un repère inférieur à 1.

### COLLECTE DE TISSU

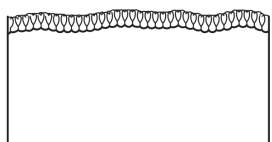
Le mécanisme d'alimentation différentielle facilite la collecte de tissus légers. Utilisez cette option pour faire des coutures au niveau de la taille, des manches, du traitement du bas des manches et des poignets, etc.

Pour de meilleurs résultats lors de la collecte de tissu, mettez la molette de réglage de l'alimentation différentielle sur un repère entre 1,5 et 2.



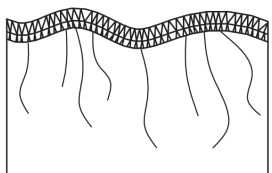
#### COUTURE DROITE

Vêtements sans lignes ondulées



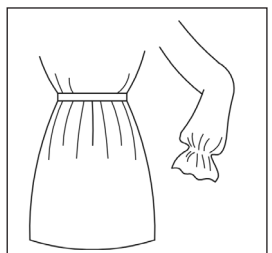
#### COUTURE NON DROITE

Plis du tissu (sans collecte)



#### COUTURE ONDULÉE

Bord ondulé du tissu (sans plis)



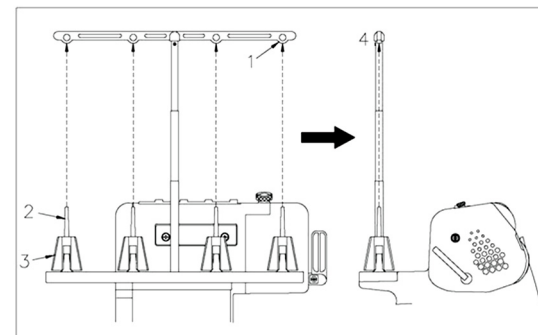
#### COLLECTE

Collecte du tissu

## INSTALLATION DE L'ANTENNE DU GUIDE-FIL

La surjeteuse est livrée avec l'antenne du guide-fil dans une position orientée vers le bas.

Soulevez l'antenne du guide-fil vers le haut (au point culminant). Réglez ensuite la position du guide-fil.



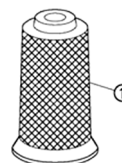
## BLOQUE-BOBINES



Le bloque-bobine sert à fixer la bobine de fil sur la tige de la surjeteuse.

1. Bloque-bobine

## FILET DE PROTECTION POUR BOBINE DE FIL



Les fils de polyester ou de nylon mal enroulés perdent de la tension lorsqu'ils se détachent de la bobine.

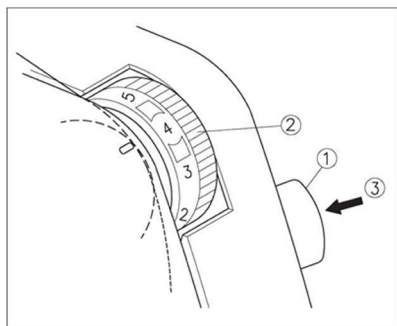
Pour maintenir une vitesse d'alimentation constante de ces fils, un filet est placé sur la bobine.

1. Filet

## MOLETTE DE RELACHEMENT DE LA TENSION DU FIL

La surjeteuse est équipée d'une molette permettant de relâcher instantanément la tension du fil.

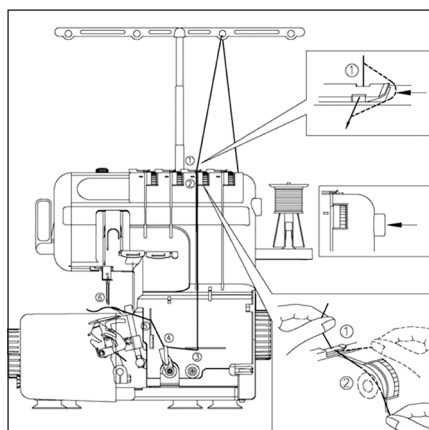
Lors de l'enfilage, veuillez procéder comme suit:



1. Appuyez sur le bouton de relâchement de la tension du fil situé à droite de la molette de réglage de la tension.
2. Passez le fil à travers le cadran de contrôle de tension situé dans la rainure derrière la molette de réglage de tension.
3. Appuyez le bouton.

## ENFILAGE DU BOUCLEUR SUPÉRIEUR

Enfilez le boucleur supérieur comme indiqué sur le schéma (étapes 1 à 6).



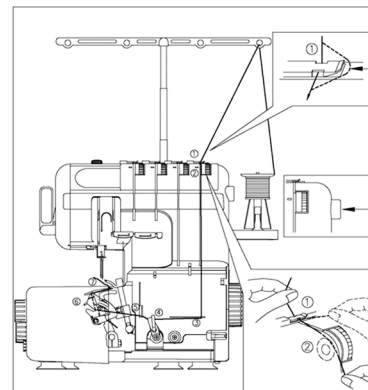
1. Tirez le fil de la bobine et faites-le passer dans votre direction à travers le trou du guide-fil sur l'antenne.
2. Passez le fil à travers le guide-fil (étape 1)
3. Enfilez ensuite le fil dans la rainure et faites-le passer à travers le cadran de contrôle de tension à côté de la molette de

réglage de tension (étape 2).

4. Passez le fil vers le boucleur supérieur à travers les guides-fil 3-5 marqués en couleur verte sur la carcasse de la surjeteuse.
5. Passez le fil à travers le trou du boucleur supérieur dans votre sens opposé (voir étape 6).

## ENFILAGE DU BOUCLEUR INFÉRIEUR

Enfilez le boucleur supérieur comme indiqué sur le schéma (étapes 1 à 7).

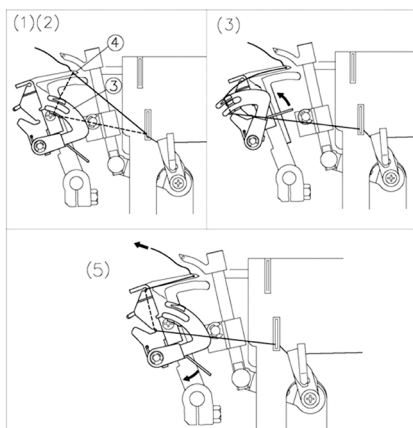


1. Tirez le fil de la bobine et faites-le passer dans votre direction à travers le trou du guide-fil sur l'antenne.
2. Passez le fil à travers le guide-fil (étape 1)
3. Enfilez ensuite le fil dans la rainure et faites-le passer à travers le cadran de contrôle de tension à côté de la molette de réglage de tension (étape 2).

4. Passez le fil vers le boucleur inférieur à travers les guides-fil 3-7 marqués en couleur bleue sur la carcasse de la surjeteuse.

## UTILISATION DU MÉCANISME AUTOMATIQUE D'ENFILAGE DU BOUCLEUR INFÉRIEUR

1. Passez le fil à travers le trou du boucleur inférieur.
2. Passez le fil par le levier de l'enfile-aiguille (étape 3).



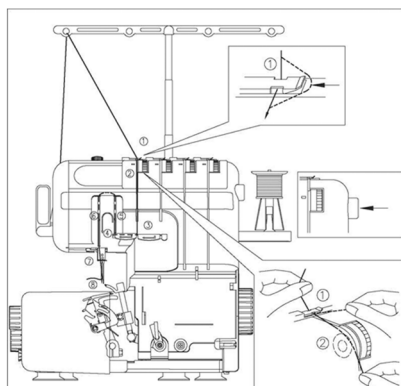
3. Déplacez le levier d'enfilage du boucleur inférieur (étape 5) dans sa position la plus élevée de sorte que l'extrémité du levier soit au même niveau que le repère bleu.
4. Relâchez le levier d'enfilage du boucleur inférieur (étape 5), puis retirez le fil de l'arrière du pied.

### SIGA, QUE LOS HILOS NO SE ENREDAN!

Tirez sur les fils de manière à ce que le fil d'ancrage inférieur soit situé sous le fil d'ancrage supérieur.

## ENFILAGE DE L'AIGUILLE GAUCHE

Enfilez l'aiguille gauche comme indiqué sur le schéma (étapes 1 à 8).

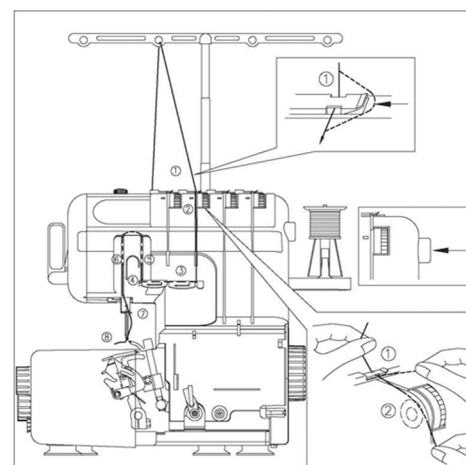


1. Tirez le fil de la bobine et faites-le passer dans votre direction à travers le trou du guide-fil sur l'antenne.
2. Passez le fil à travers le guide-fil (étape 1)
3. Enfilez ensuite le fil dans la rainure et faites-le passer à travers le cadran de contrôle de tension à côté de la molette de réglage de tension (étape 2).

4. Faites passer le fil en suivant les étapes de 3 à 5.
5. Lorsque vous faites passer le fil à l'étape 6, guidez-le vers le bas pour le faire passer à travers le guide-fil (étape 7), puis faites passer le fil à travers l'aiguille gauche (étape 8).

## ENFILAGE DE L'AIGUILLE DROITE

Enfilez l'aiguille droite comme indiqué sur le schéma (étapes 1 à 8).



1. Tirez le fil de la bobine et faites-le passer dans votre direction à travers le trou du guide-fil sur l'antenne.
2. Passez le fil à travers le guide-fil (étape 1)
3. Passez ensuite le fil dans la rainure puis faites-le passer à travers le cadran de contrôle de tension à côté de la molette de réglage de tension (étape 2).
4. Faites passer le fil en suivant les étapes de 3 à 5.
5. Lorsque vous faites passer le fil à l'étape 6, guidez-le vers le bas pour le faire passer à travers le guide-fil (étape 7), puis faites passer le fil à travers l'aiguille gauche (étape 8).

## TABLEAU DE COMPARAISON DES TISSUS, FILS ET AIGUILLES

TISSU		TYPE DE POINT	LONGUEUR DE POINT (EN MM)	FILS	AIGUILLES
Tissus fins	Crêpe de Chine Georgette Lin Organza Tricot	Point de surjet	2,0 - 3,0	Fibres synthétiques: N°80 Coton N°100 Soie: N°80, 100	HAX1 N°70 N°80
Tissus fins	Crêpe de Chine Georgette Batiste Organza	Point de surjet étroit / d'ourlet roulé	Moins de 2.0	Fil d'aiguille: Polyester: N°80 Nylon: N°80 Fil de boucleur: Polyester: N280 Nylon: N°80 Fils nylons laineux	HAX1 N°70 N°80
Tissus moyens	Popeline Guiném Seersucker Gabardine Serge Tricot	Point de surjet	2,5 - 3,5	Fibres synthétiques: N°60, 80 Coton N°60, 80 Soie N°50, 80 Nylon N°50, 80 Polyester N°50, 80	HAX1 N°80 N°90
Tissus épais	Jersey vaquero de cachemira	Point de surjet	3,0 - 4,0	Coton N°40, 60 Soie N°40, 60 Nylon N°30, 60 Polyester N°30, 60	HAX1 N°90

**△ REMARQUE:**

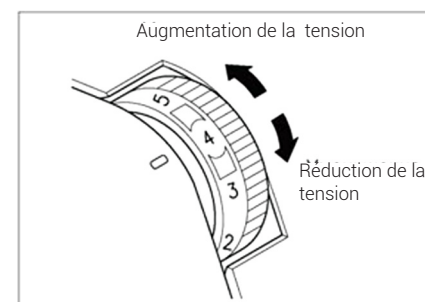
Pour une couture de type décoratif, il est recommandé d'introduire un fil décoratif dans le boucleur supérieur.

## RÉGLAGE DE LA TENSION DU FIL

Lorsque la molette de réglage de la tension est tournée dans le sens des valeurs croissantes des marques, la tension du fil augmente.

Lorsque la molette de réglage de la tension est tournée dans le sens des valeurs décroissantes des marques, la tension du fil est affaiblie.

Vérifiez la tension de chaque fil sur un échantillon du tissu avec lequel vous comptez travailler.



Pour la plupart des opérations, la molette peut être réglée sur «4».

**△ REMARQUE:**

Si vous ne trouvez pas la tension de fil correcte, veuillez faire référence aux illustrations suivantes montrant la procédure «dans ce cas».

## TABLEAU DE RÉGLAGE DE LA TENSION DU FIL (SURJETEUSE A DEUX AIGUILLES)

A Á l'envers

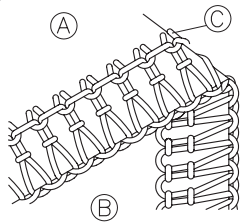
B Face avant

C Fil de l'aiguille gauche

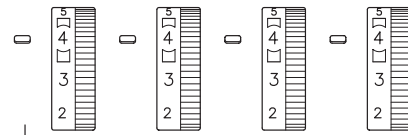
D Fil de l'aiguille droite

E Fil du boucleur supérieur

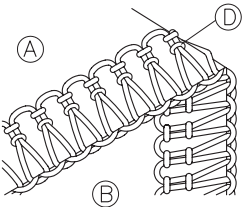
F Fil du boucleur inférieur



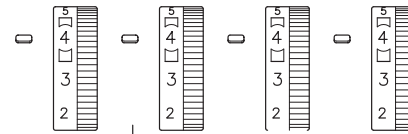
Tension insuffisante du fil de l'aiguille gauche



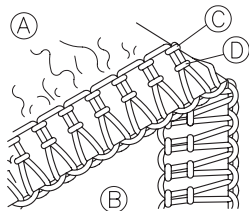
Augmentez la tension du fil de l'aiguille gauche



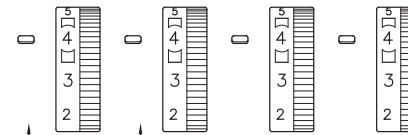
Tension insuffisante du fil de l'aiguille droite



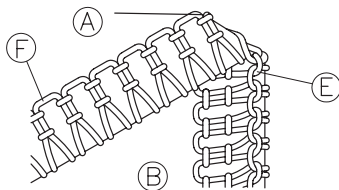
Augmentez la tension du fil de l'aiguille droite



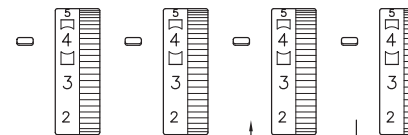
Tension excessive du fil de l'aiguille gauche



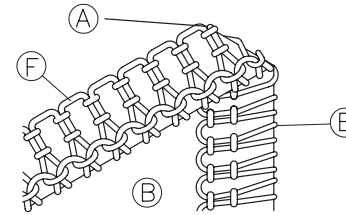
Relâchez la tension du fil de l'aiguille gauche



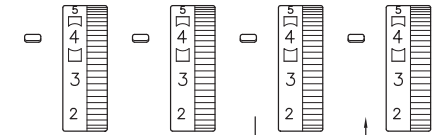
Tension excessive du fil du boucleur supérieur. Tension insuffisante du fil du boucleur inférieur.



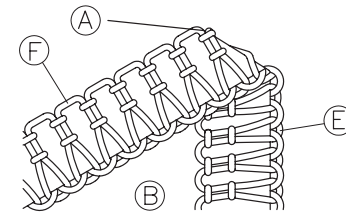
Relâchez la tension du fil du boucleur supérieur.



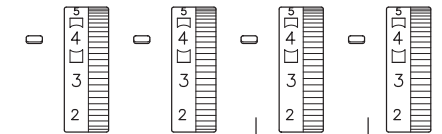
Tension insuffisante du fil du boucleur supérieur. Tension excessive du fil du boucleur inférieur.



Augmentez la tension du fil du boucleur supérieur.

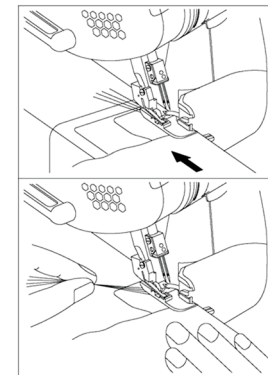


Tension insuffisante du fil du boucleur supérieur.



Augmentez la tension du fil du boucleur inférieur.

## TEST DE COUTURE



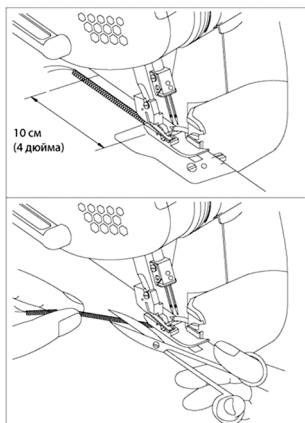
Une fois les fils correctement enfilés, vous pouvez lancer le test de couture.

1. Relevez le pied presseur et placez l'échantillon de tissu en dessous. Abaissez le pied presseur et commencez à coudre. Ne relevez pas le pied presseur pendant le fonctionnement de la surjeteuse, car les points seront inégaux.
2. Avant d'appuyer sur la pédale, tournez le volant avec votre main droite dans le sens antihoraire tout en maintenant l'extrémité du fil avec votre main gauche.

Vérifiez en même temps le mode de fonctionnement de la surjeteuse.

3. Appuyez doucement sur la pédale.

## RÉALISATION D'UN POINT DE CHAINETTE



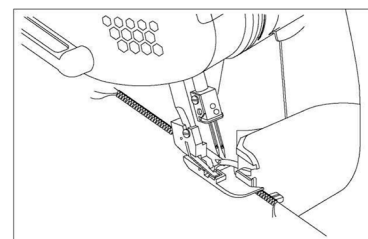
Une fois le test de couture terminé, maintenez la pédale enfoncée pour continuer à coudre sur le bord du tissu à environ 10 cm (4 pouces). La surjeteuse coudra automatiquement un point de chaînette.

- Une tension de fil inégale entraînera un point de chaînette irrégulier. Dans ce cas, tout en tenant l'extrémité du fil avec votre main, vérifiez que le fil est correctement enfilé et réglez la tension. Après le réglage, le point de chaînette sera droit.

## AU CAS OU LE FIL SE CASSERAIT PENDANT LA COUTURE

- Au cas où le fil se casserait pendant la couture, retirez le tissu du pied presseur, puis procédez à l'enfilage dans l'ordre correcte:

1. Enfilez le boucleur supérieur, le boucleur inférieur et l'aiguille droite.
2. Enfilez ensuite l'aiguille gauche, puis placez le tissu sous le pied presseur de sorte que l'espace entre la position actuelle du tissu et celle de la cassure du fil corresponde à 3-5 cm.
3. Continuez la couture.



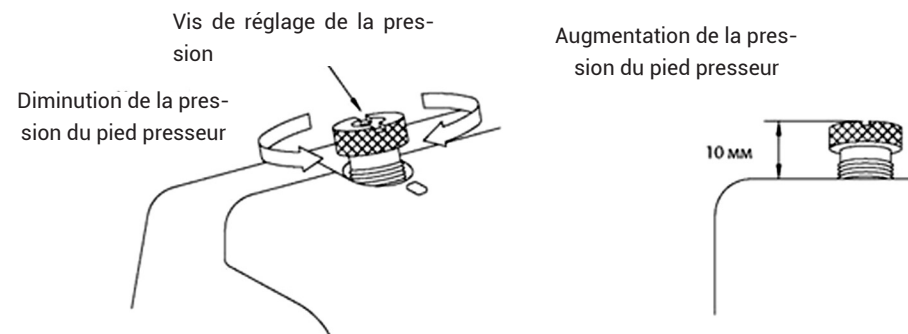
**△ REMARQUE:**  
Pendant la couture, ne tirez pas sur le tissu quand il est sous le pied presseur, car cela pourrait plier ou briser l'aiguille.

## RÉGLAGE DE LA PRESSION DU PIED PRESSEUR SUR LE TISSU

- La pression du pied presseur sur le tissu est initialement ajustée pour coudre des tissus moyens.
- Selon le type de tissu, vous pouvez modifier la pression du pied presseur à l'aide de la vis de réglage.

Diminuez la pression du pied presseur pour coudre des tissus légers.

Augmentez la pression du pied presseur pour coudre des tissus épais.



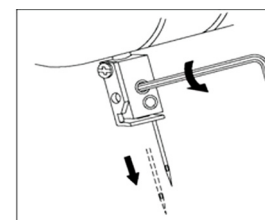


## DYSFONCTIONNEMENTS ET MOYENS DE RÉPARATION

DYSFONCTIONNEMENT	CAUSE	SOLUTION
Pas d'entraînement du tissu	Pression du pied presseur trop faible	Tourner la vis de réglage de la pression dans le sens des aiguilles d'une montre pour augmenter la pression du pied presseur.
Les aiguilles se brisent	<ol style="list-style-type: none"> <li>1. Aiguille tordue ou pas assez pointue</li> <li>2. Aiguille mal installée</li> <li>3. Le tissu a été tiré de force</li> </ol>	<ol style="list-style-type: none"> <li>1. Changer d'aiguille</li> <li>2. Installer correctement l'aiguille</li> <li>3. Orienter délicatement le tissu avec les deux mains pendant la couture</li> </ol>
Les fils se cassent	<ol style="list-style-type: none"> <li>1. Mauvaise mise en place du fil</li> <li>2. Fil emmêlé</li> <li>3. La tension du fil est trop forte</li> <li>4. Aiguille mal installée</li> <li>5. Utilisation d'une aiguille inadaptée</li> </ol>	<ol style="list-style-type: none"> <li>1. Mettre correctement le fil en place</li> <li>2. Vérifier les porte-bobines, le guide-fil etc. , et retirer les fils emmêlés</li> <li>3. Régler la tension du fil</li> <li>4. Installer correctement l'aiguille</li> <li>5. Utiliser des aiguilles recommandées</li> </ol>

Des points sautent	<ol style="list-style-type: none"> <li>1. Aiguille tordue ou pointe abîmée</li> <li>2. Aiguille mal installée</li> <li>3. Utilisation d'une aiguille inadaptée</li> <li>4. Mauvaise mise en place du fil</li> <li>5. Pression du pied presseur trop faible</li> </ol>	<ol style="list-style-type: none"> <li>1. Changer d'aiguille</li> <li>2. Installer correctement l'aiguille</li> <li>3. Utiliser des aiguilles recommandées</li> <li>4. Enfiler correctement la machine</li> <li>5. Tourner la vis de réglage de la pression dans le sens des aiguilles d'une montre pour augmenter la pression du pied presseur sur le tissu</li> </ol>
Les points ne sont pas réguliers	La tension du fil est mal réglée	Régler la tension du fil
Le tissu fronce	<ol style="list-style-type: none"> <li>1. La tension du fil est trop forte</li> <li>2. Mauvaise mise en place du fil ou fil emmêlé</li> </ol>	<ol style="list-style-type: none"> <li>1. Diminuer la tension du fil lors de la couture de tissus légers ou fins</li> <li>2. Couper tous les fils emmêlés et enfiler correctement la machine</li> </ol>

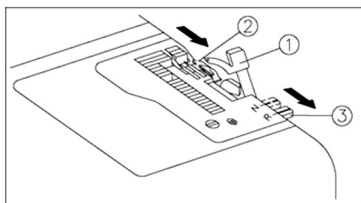
## POINT D'OURLET ROULÉ / DE SURJET ÉTROIT



Les coutures d'ourlet roulées et étroites sont idéales pour coudre des tissus fins tels que le crêpe georgette, le crêpe de Chine, la soie, etc..

1. Soulevez le pied presseur.
2. Retirez l'aiguille gauche.

3. Enflez l'aiguille droite pour un surjet 3 fils. Mettez ensuite le levier des griffes d'entraînement en position «R».

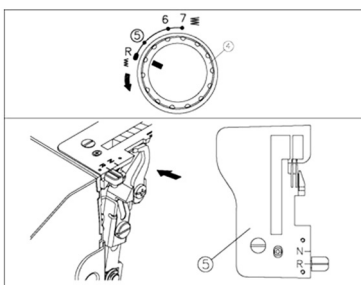


**△ REMARQUE:**  
Assurez-vous que la griffe d'entraînement est en place avant de coudre un point de surjet standard..

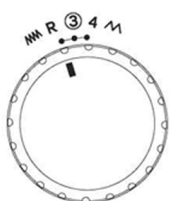
1. Boucleur supérieur  
2. Griffes d'entraînement

3. Levier des griffes d'entraînement

- (4) Réglez la largeur de point requise pour l'ourlet roulé. Tournez sur «R» la molette de réglage de la largeur de point, située à côté du capot avant de la surjeteuse.



4. Molette de réglage de la largeur de point  
5. Plaque à aiguille avec griffe d'entraînement rétractée.



- (5) Mettez la molette de réglage de la largeur de point sur « R » comme indiqué sur l'image.

## POINT DE SURJET ÉTROIT

Ajustez la tension du fil selon les directives ci-dessous:

- Tension du fil du boucleur supérieur: 4 – 6
- Tension du fil du boucleur inférieur: 4 – 6
- Tension du fil de l'aiguille droite: 4 – 6

Les réglages peuvent légèrement varier selon le type de tissu et de fils utilisés.

## POINT D'OURLET ROULÉ

Ajustez la tension du fil selon les directives ci-dessous:

- Tension du fil du boucleur supérieur: 4 – 6
- Tension du fil du boucleur inférieur: 5 – 7
- Tension du fil de l'aiguille droite: 4 – 6

La tension peut légèrement varier selon le type de tissu et de fils utilisés.

## TABLEAU DES POINTS D'OURLET ROULÉ / DE SURJET ÉTROIT

	POINT D'OURLET ROULÉ	POINT DE SURJET ÉTROIT
Style de point	Envers du tissu	Envers du tissu

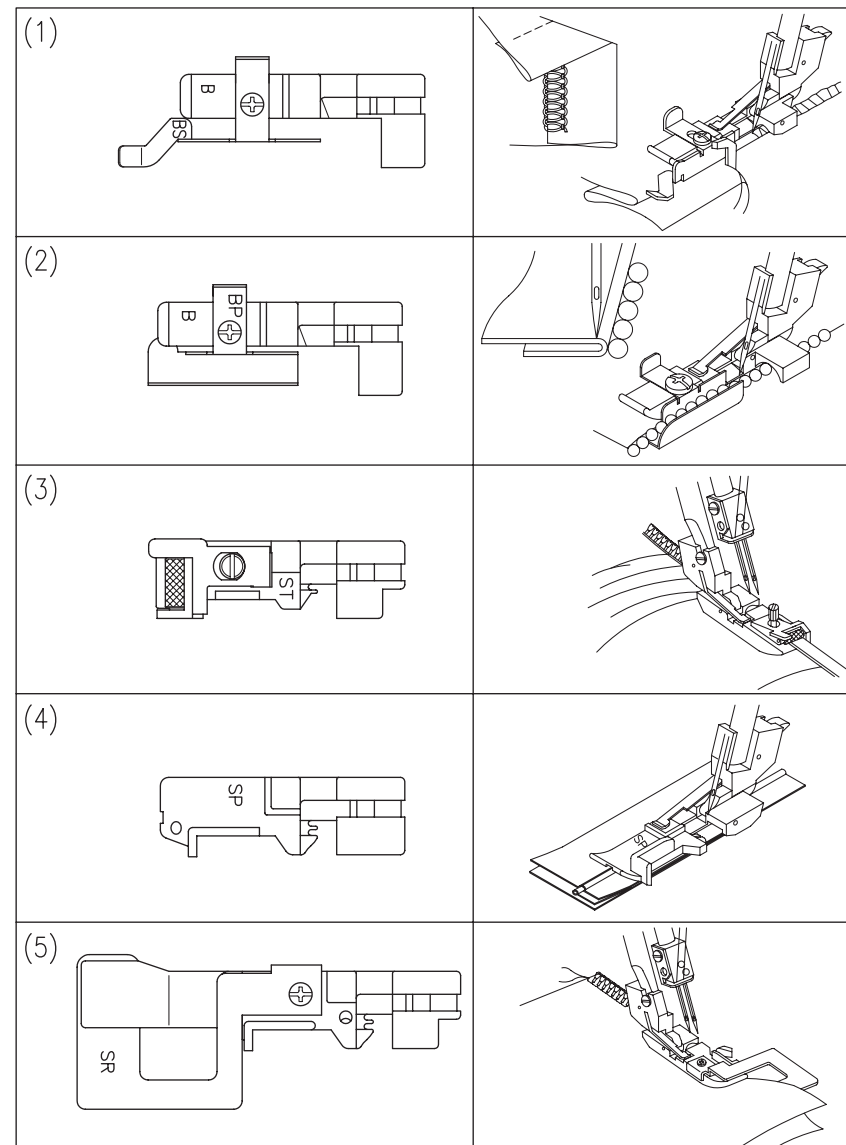
Type de tissu	Tissus légers Crêpe de Chine Georgette Lin Organza	Tissus légers Crêpe de Chine Georgette Lin Organza
Fil de l'aiguille	Fils de nylon N°50 - N°100 Fils de polyester N°50 - N°100	Fils de nylon N°100 Fils de polyester N°100
Fil du boucleur supérieur	Fils nylons laineux Fils de nylon N°100 Fils de polyester N°100	Fils nylons laineux Fils décoratifs
Fil du boucleur inférieur	Fils de nylon N°50 - N°100 Fils de polyester N°50 - N°100	Fils de nylon N°100 Fils de polyester N°100
Longueur de point	R	R
Largeur de point	R.5 (surjeteuse à deux aiguilles)	R.5 (surjeteuse à deux aiguilles)
Tension du fil	4(4-6)	4 (4-6)
Fil de l'aiguille	5(4-6)	4 (4-6)
Fil boucleur supérieur	4 (4-6)	6 (5-7)
Fil du boucleur inférieur		

## UTILISATION DE DIFFÉRENTS PIEDS PRESSEURS

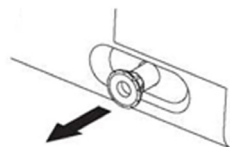
1. Pied pour point invisible / pour couture bout à bout
2. Pied pour pose de perles et paillettes
3. Pied de ruban élastique

### 4. Pied pose biais

### 5. Pied de shirring rassembleur



## RETRAIT DU COUTEAU SUPÉRIEUR



Pour utiliser la surjeteuse sans couper le tissu, déplacez le levier du couteau supérieur de 1 à 2 et ce dernier ne sera pas utilisé.

## CHANGEMENT DU COUTEAU

Un couteau émoussé doit être remplacé.

### △ ATTENTION:

Avant de remplacer le couteau, débranchez la surjeteuse en retirant le cordon d'alimentation de la prise électrique.

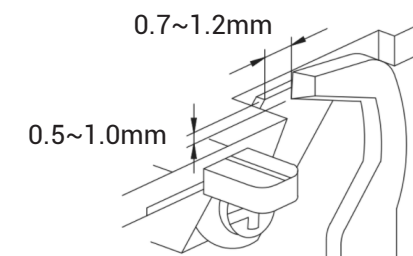
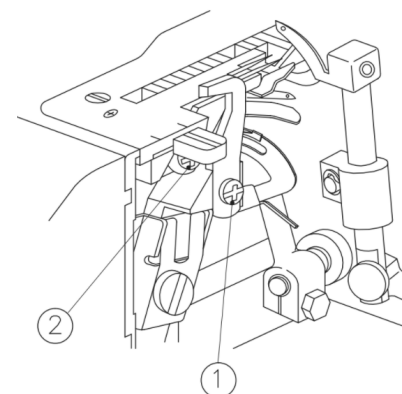
## CHANGEMENT DU COUTEAU SUPÉRIEUR

- Retirez le couvercle supérieur et soulevez le couteau supérieur à la position la plus élevée.
- Désserrez la vis de fixation du couteau supérieur et retirez le couteau.
- Placez le nouveau couteau dans le support.
- Serrez la vis de fixation du couteau supérieur.

**RÉGLEZ LA POSITION DU COUTEAU SUPÉRIEUR DE SORTE QUE LE BORD DE LA LAME SUPÉRIEURE SOIT À 0,5-1,0 MM DE L'EXTÉRIEUR DU BORD DU COUTEAU INFÉRIEUR.**

## CHANGEMENT DU COUTEAU INFÉRIEUR

- Desserrez la vis de fixation du couteau inférieur et retirez le couteau.
  - Placez le nouveau couteau dans le support.
  - Le couteau inférieur doit être réglé de manière à ce que le bord de sa lame soit au même niveau que la plaque à aiguille.
  - Serrez la vis de fixation du couteau inférieur.
1. Vis de fixation du couteau supérieur
  2. Vis de fixation du couteau inférieur



## CONVERTIR L'ENROULEUR SUPÉRIEUR POUR SURJET 2 FILS

### △ Mise en garde:

Assurez-vous d'éteindre l'appareil avant de retirer ou de remplacer le convertisseur.

### UTILISATION DE CONVERTISSEUR:

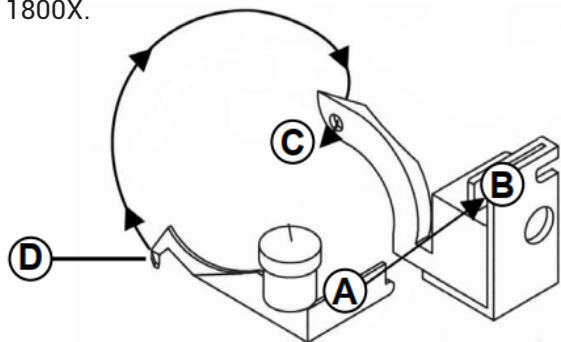
- 1) Ouvrez le panneau frontal et tournez le volant afin d'élever l'aiguille à sa position supérieure.
- 2) Insérez la plaquette(A) du convertisseur dans l'ouverture (B) et amenez le convertisseur vers l'arrière du boucleur supérieur de façon à ce que le crochet (D) s'insère dans l'oeillet (C) du boucleur..

### RÉINSTALLER L'ENFILEUR SUPÉRIEUR:

Poussez vers l'arrière, l'extrémité (D) de convertisseur pour l'extraire de l'oeillet du boucleur supérieur (C) et retirez le convertisseur.

**Remarque:** Mettez le convertisseur dans le boîtier à accessoires lorsqu'il n'est pas utilisé.

Le convertisseur est uniquement disponible sur l'EFFEKTIV Triumphator 1800X.



### NETTOYAGE ET GRAISSAGE

Le nettoyage et le graissage périodiques sont essentiels pour garantir les performances optimales de la machine.

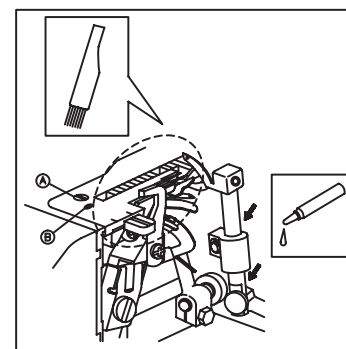
**AVANT LE NETTOYAGE ET LE GRAISSAGE, DÉBRANCHEZ TOUJOURS LA SURJETEUSE EN RETIRANT LE CORDON D'ALIMENTATION DE LA PRISE ÉLECTRIQUE!**

1. Retirez le capot avant.
2. Appliquez une goutte d'huile pour machine à coudre aux points indiqués par les flèches.

**UTILISEZ TOUJOURS DE L'HUILE POUR MACHINE À COUDRE DE BONNE QUALITÉ. EN CAS D'UTILISATION FRÉQUENTE DE LA SURJETEUSE, LE GRAISSAGE DOIT ÊTRE EFFECTUÉ UNE FOIS PAR SEMAINE!**

#### NETTOYAGE

1. Nettoyez la plaque à aiguille avec une brosse.
2. Désserrez la vis A. Retirez la plaque à aiguille.

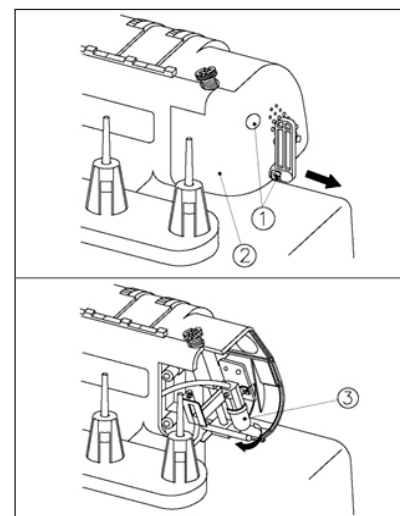


- Vis B : uniquement pour la réparation et le réglage de la surjeteuse. Ne désérrez pas et ne retirez pas cette vis.

### CHANGEMENT DE LA LAMPE D'ÉCLAIRAGE

Avant de retirer le couvercle de protection de la lampe, débranchez la surjeteuse en retirant le cordon d'alimentation de la prise électrique.

- Désérrez la vis de fixation du levier du pied presseur, soulevez le levier et retirez-le de l'appareil.
- Désérrez la vis de fixation du couvercle de protection de la lampe et retirez le couvercle comme indiqué sur la figure ci-dessous.



- Désérrez la vis de fixation du couvercle de la lampe, tirez le couvercle vers le haut et retirez-le.
  - Retirez la lampe et vissez-en une nouvelle.
1. Vis de fixation du levier du pied presseur.
  2. Couvercle de protection de la lampe.
  3. Vis de fixation du couvercle de la lampe.

## CARACTÉRISTIQUES TECHNIQUES

Utilisation	Tissus légers et épais
Vitesse de couture	1200 points par minute
Longueur de point	1,1 à 4 mm (3/64 à 5/32 pouces)
Largeur de point	2,3 à 7,0 mm (5/64 à 9/32 pouces)
Pied presseur	Pied presseur remplaçable
Élévation du pied presseur	5 à 6 mm (3/16 à 15/64 pouces)
Mouvement de la barre à aiguilles	25 mm (1 pouce)
Aiguille	Hax1
Nombre d'aiguilles et de fils	Trois ou quatre fils convertibles. Fonctionne avec deux aiguilles ou une seule
Poids net de la machine	7,0 kg
Ensemble d'aiguilles Hax1	N°80 (2), N°90 (2)
Modèle	<b>TIUMPHATOR 1700X / 1800X</b>

## AUTRES INFORMATIONS:

### DESTRUCTION

Pour se débarrasser de l'appareil, nous vous recommandons de ne pas le jeter avec les ordures ménagères. Pour éviter les effets négatifs potentiels sur l'environnement, veuillez suivre les procédures de traitement, de destruction et de recyclage des produits électroniques usagés.

En cas de réclamation au titre de la garantie, veuillez contacter les centres d'assistance recommandés.

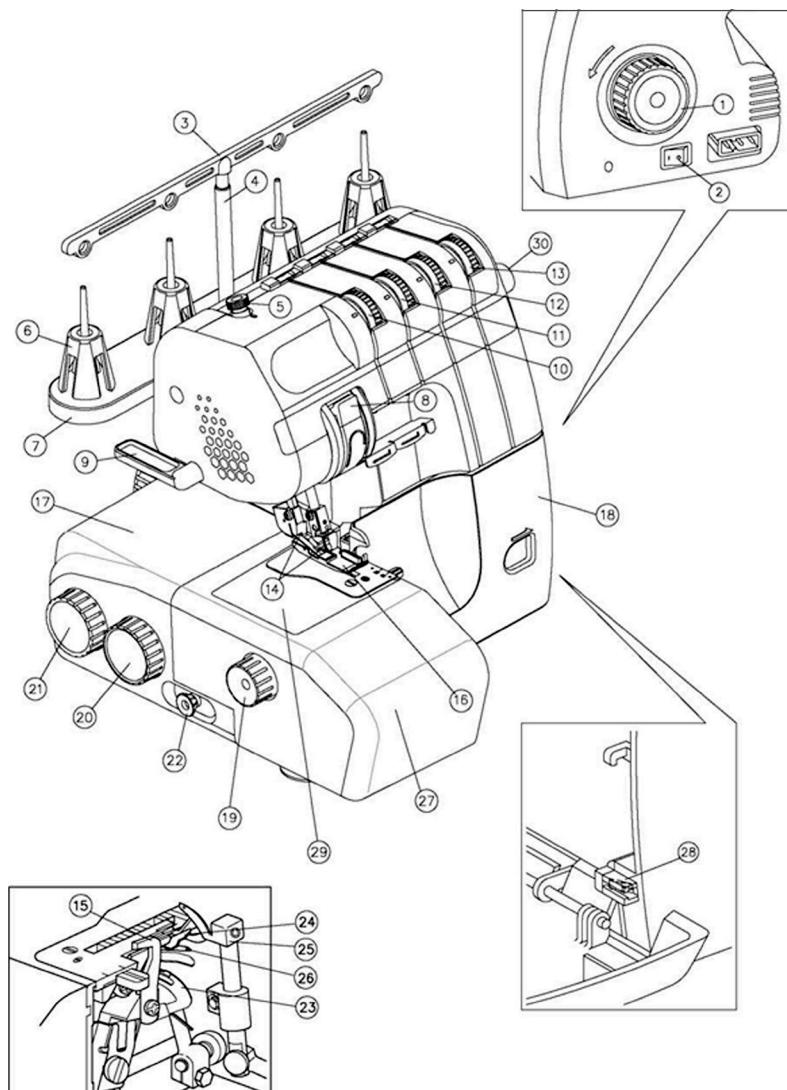
## TABLEAU DE RÉGLAGE DES DIFFÉRENTS TYPES DE COUTURE

N°	Nom de la couture	Tension			
		I	II	III	IV
1•	Flatlock 2 aiguilles 3 fils	1	1	-	8
2•	Ourlet roulé 2 fils	-	4	-	4
3•	Surjet 2 fils étroit	-	4	-	4
4•	Flatlock large 2 fils	1	-	-	8
5•	Surjet 2 fils large avec fronce	4	-	-	4
6•	Surjet 2 fils large	4	-	-	4
7•	Surjet 3 fils, 2 aiguilles avec fronce	4	4	-	4
8•	Surjet 3 fils, 2 aiguilles	4	4	-	4
9	Ourlet roulé 3 fils	-	4	4	4
10	Flatlock étroit 3 fils	-	0	1	8
11	Surjet 3 fils étroit serré	-	4	4	4
12	Surjet 3 fils étroit avec fronce	-	4	4	4
13	Surjet 3 fils étroit	-	4	4	4
14	Flatlock large 3 fils	0	-	1	8
15	Surjet 3 fils large	4	-	4	4
16	Surjet 3 fils large avec fronce	4	-	4	4
17	Surjet 3 fils large	4	-	4	4
18	Surjet 4 fils serré	4	4	4	4
19	Surjet 4 fils avec fronces	4	4	4	4
20	Surjet 4 fils	4	4	4	4

2-4	5-7	1	N	+
R	R	1	R	+
2-4	5-7	1	N	+
2-4	5-7	1	N	+
2-4	5-7	2	N	+
2-4	5-7	1	N	+
2-4	5-7	2	N	+
2-4	5-7	1	N	+
R	R	1	R	-
2-4	5-7	1	N	-
R	5-7	1	N	-
2-4	5-7	2	N	-
2-4	5-7	1	N	-
2-4	5-7	1	N	-
R	5-7	1	N	-
2-4	5-7	2	N	-
2-4	5-7	1	N	-
R	5-7	1	N	-
2-4	5-7	2	N	-
2-4	5-7	1	N	-

• Les numéros de couture 1 à 8 ne sont disponibles que pour le Triumphator 1800X

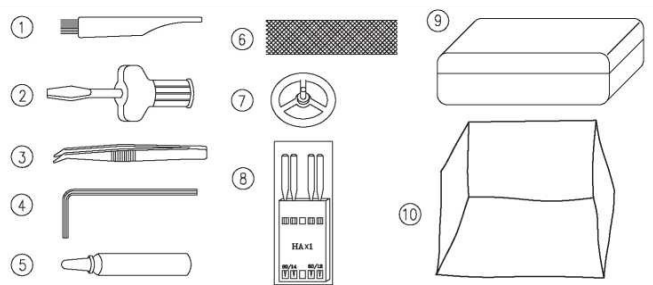
## НАИМЕНОВАНИЕ ОСНОВНЫХ ЧАСТЕЙ



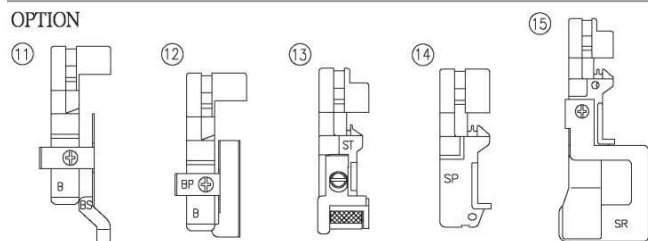
1. Schwungrad
2. Schalter für Stromversorgung und Beleuchtung
3. Fadenführung
4. Fadenführungsstange
5. Einstellungsschraube des Stoffstangedrucks auf den Stoff
6. Rollenhalter
7. Rollenständer
8. Deckel des Fadenaufziehers
9. Stoffstangehubhebel
10. Spannungsregler des Fadens der linken Nadel
11. Spannungsregler des Fadens der rechten Nadel
12. Spannungsregler des Fadens des oberen Schleifenfängers
13. Spannungsregler des Fadens des unteren Schleifenfängers
14. Nadeln
15. Obermesser
16. Stoffstange
17. Plattform für Stoffplatzierung
18. Vordere Abdeckung
19. Nahtbreiteneinsteller
20. Stichlängeneinstellknopf
21. Differenzieller Vorschubregler
22. Obermessereinstellhebel
23. Fadenführung für den unteren Schleifengänger
24. Zahnstange des Stoffvorschubmechanismus
25. Oberer Schleifengänger
26. Unterer Schleifengänger
27. Freiarm
28. Mikro-Sicherung
29. Freiarmabdeckung
30. Sofortige Fadenspannungsentriegelungstaste



## MITGELIEFERTES ZUBEHÖR FÜR DIE OVERLOCK



### OPTION



Die Nummern in den Abbildungen stimmen mit den Nummern des Nähzubehörs überein:

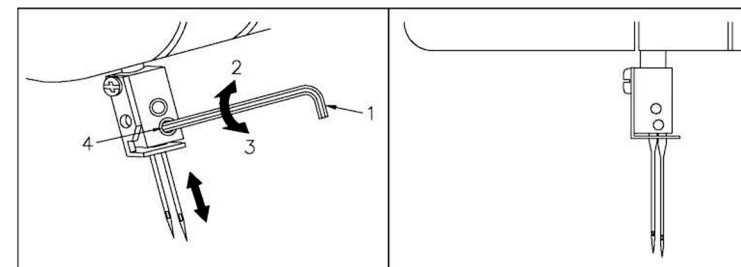
- |   |   |
|---|---|
| 1. Bürste   | (nicht im Lieferumfang enthalten, separat kaufen) |
| 2. Schraubendreher                                |   |
| 3. Pinzette                                       | 11. Blindstichstange                              |
| 4. Inbusschlüssel                                 | 12. Perlen-/Paillettenannähenstange               |
| 5. Öl   | 13. Stange für elastische Naht                    |
| 6. Gitter (4)                                     | 14. Stange für abgeschrägte Abschlusskante        |
| 7. Stopper für die Fadenrolle (4)                 | 15. Stange fürs Aufnähen                          |
| 8. Nadelsatz: HAx1.80/12 : 2 St.<br>90/14 : 2 St. |   |
| 9. Nähzeugkasten                                  |   |
| 10. Overlock-Tasche: optional                     |   |

## NADEL

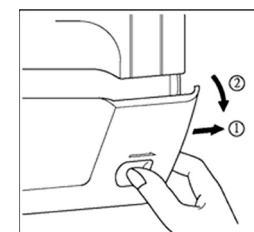
Diese Overlockmaschine ist für die Arbeit mit Standardnadeln ausgelegt. Verwenden Sie HAx1-Nadeln (130/70SH)

Austausch von Nadeln

1. Drehen Sie das Handrad zu sich hin, um die Nadel in ihre höchste Position zu bringen.
2. Lösen Sie die Schraube der Nadelklemme mit dem mitgelieferten Inbusschlüssel.
3. Stecken Sie eine neue Nadel (mit der flachen Seite von innen abgewandt) bis zum Anschlag in die Nadelklemme.
4. Ziehen Sie die Schraube der Nadelklemme fest.



## WIE SIE DIE FRONTABDECKUNG ENTFERNEN



Um die Frontabdeckung zu entfernen, schieben Sie diese so weit wie möglich nach rechts, wie in Abbildung 1 dargestellt.

Ziehen Sie die Abdeckung zu sich hin, wie in Abb. 2 gezeigt

**⚠ WARNUNG!**

Vergewissern Sie sich vor Beginn der Arbeiten, dass die Frontabdeckung angebracht ist!

**BEGINN DES NÄHENS**

Schließen Sie die Overlockmaschine an die Stromversorgung an. Schalten Sie den Netzschalter des Geräts auf Position "1". Wenn der Overlock-Schalter eingeschaltet ist, leuchtet die Kontrollleuchte auf.

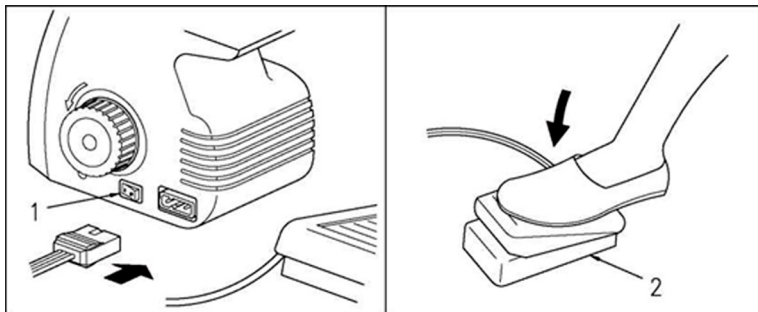
Um die Overlockmaschine auszuschalten, stellen Sie den Netzschalter auf Position "0". Die Kontrollleuchte schaltet sich aus.

Der Motor der Maschine kann seinen Betrieb nicht ausführen, wenn die vordere Abdeckung der Overlockmaschine entfernt wird.

**FUßEDAL**

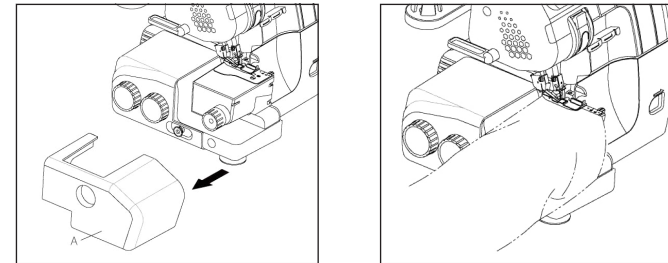
Ist für die Regelung der Nähgeschwindigkeit bestimmt.

1. Netzschalter
2. Fußpedal

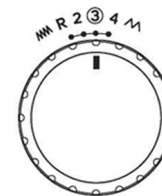


**VERWENDUNG DES FREIARMES**

1. Schieben Sie Abdeckung A nach links.
2. Legen Sie den Arm oder die Manschette auf den schmalen Freiarm, um zu beginnen.



**STICHLÄNGE EINSTELLEN:**



1. Für die meisten Nähvorgänge muss der Stichlängeneinstellknopf auf 3 mm (7/64 Zoll) eingestellt werden.
2. Stellen Sie den Stichlängeneinstellknopf auf 4 mm (5/32 Zoll), wenn Sie mit dichten Stoffen arbeiten.

**NAHTLÄNGE EINSTELLEN**

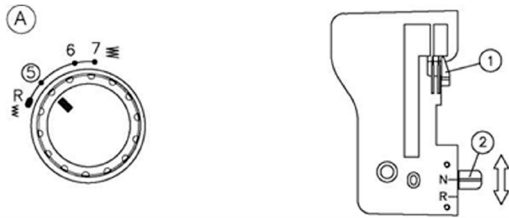
**Zweinadeloverlockmaschinen**

(1) Um die Nahtbreite zu verringern, drehen Sie das Nahtbreitenrad neben der abnehmbaren Abdeckung nach oben. Um die Nahtbreite zu

vergrößern, drehen Sie dieses nach unten.

Nahtbreite kann von R 4,5 mm (11/64 Zoll) bis 7 mm (9/32 Zoll) eingestellt werden.

Die Standardnahtbreite für normale Overlocknähte beträgt 5 mm (13/64").

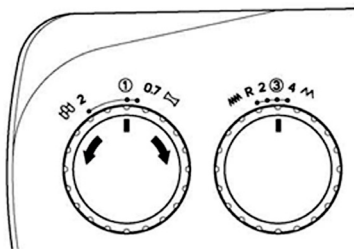


## DIFFERENZIALER STOFFTRANSPORT

Um die gewünschte Stoffvorschubgeschwindigkeit zu erreichen, stellen Sie den Differentialtransportregler wie in der Abbildung unten gezeigt ein.

Der differentielle Stofftransport kann zwischen 0,7 und 2,0 eingestellt werden.

Der verwendete Standardwert ist 1,0.



ZWECK UND ERZIELTE WIRKUNG	TRANSPORT-TYP	HAUPTMECHANISMUS DES STOFFTRANSPORTS (HINTERE SCHIENE)	MECHANISMUS DES DIFFERENTIALEN STOFFTRANSPORTS (VORDERE SCHIENE)	EINSTELLUNG
Prävention der Bildung der gewellten Naht. Anreihen des Stoffes.	Differentialer Transport mit positivem Wert			1,0 - 2,0
Ohne differentialen Transport	Neutraler Transport			1,0
Verhindern des Stoffverklemmens	Differentieller Transport mit negativem Wert			0,7 - 1,0

## DIFFERENTIELLER STOFFTRANSPORT

Der Differentialtransportmechanismus wird eingesetzt, um Wellennähte und Stoffstaus zu vermeiden. Außerdem kann der Stoff damit angereicht werden.

### VERKLEMMEN VON GEWEBE

Das Verklemmen kann ist bei gewebten oder leichten Stoffen entstehen. Um glatte Nähte zu erhalten, stellen Sie den Differentialtransportregler auf eine Stufe unter Stufe 1.

### WELLENSNÄHTE

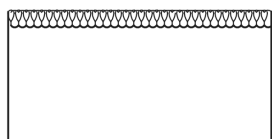
Bei der Arbeit mit gestrickten oder dehnbaren Stoffen können sich Wellennähte bilden.

Um Wellennähte zu vermeiden, stellen Sie den Differentialtransportregler auf eine Stufe unter Stufe 1.

### ANREIHEN DES STOFFES

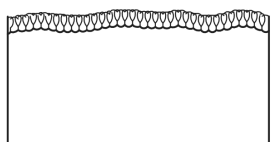
Der Differentialtransportmechanismus erleichtert das Anreihen der leichten Stoffe. Verwenden Sie dies, um den Taillenbereich einzunähen, die Ärmel einzufädeln, Ärmel und Manschetten zu säumen usw.

Um optimale Ergebnisse beim Einreihen zu erzielen, stellen Sie den Einstellknopf für den Differentialtransport zwischen den Markierungen 1,5 und 2 ein.



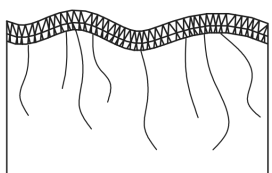
#### EBENE NAHT

Kleidung ohne Wellennähte



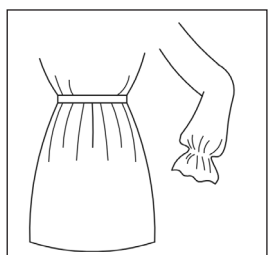
#### UNEBENE NAHT

Stoffstau (keine Falten)



#### GEWELLTE NAHT

Gewellte Stoffkante (kein Stau)

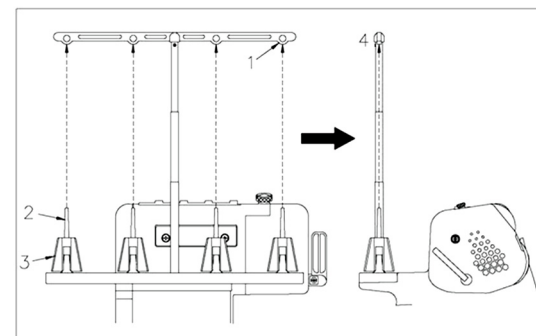


#### ANREIHEH

Anreihen des Gewebes

## EINSTELLEN DER FADENFÜHRUNGSTRAGSTANGE

Die Overlock-Maschine wird mit der Fadenführungstragstange in der unteren Position ausgeliefert. Bringen Sie die Fadenführungstragstange in die höchste Position. Stellen Sie dann die Position der Fadenführung ein.



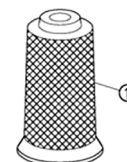
## STOPPER FÜR DIE FADENROLLE



Der Stopper wird verwendet, um die Fadenrolle an der Overlockstange zu sichern.

1. Anschlag der Fadenrolle.

## GITTER FÜR FADENROLLE

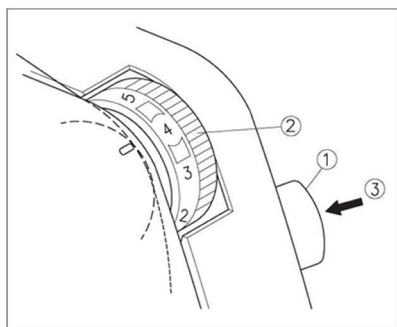


Ein loser Polyester- oder Nylonfaden verliert an Spannung, wenn er von der Spule mit der undichten Aufwicklung kommt. Ein Gitter über der Spule wird verwendet, um eine konstante Transportgeschwindigkeit dieses Fadentyps aufrechtzuerhalten.

1. Gitter.

## FADENSPIGUNGSLÖSEKNOPF

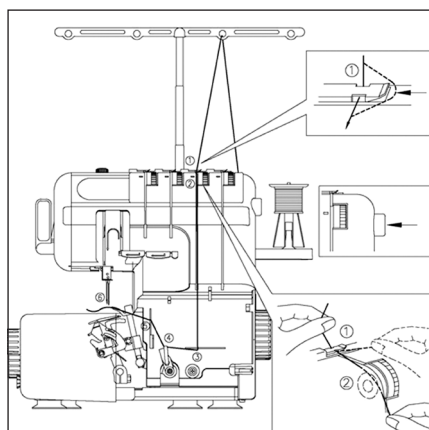
Die Overlockmaschine ist mit einer Taste zum sofortigen Lösen der Fadenspannung ausgestattet. Gehen Sie beim Einfädeln der Maschine wie folgt vor:



1. Drücken Sie den Fadenspannungslöseknopf rechts neben dem Spannungseinstellknopf.
2. Führen Sie den Faden durch den Spannungsregler, der sich im Steg hinter dem Spannungseinstellknopf befindet.
3. Drücken Sie die Taste.

## BESTÜCKEN DES OBEREN SCHLEIFENGÄNGERS

Ziehen Sie den Faden des oberen Schleifengängers wie in der Abbildung gezeigt ein (Positionen 1-6).

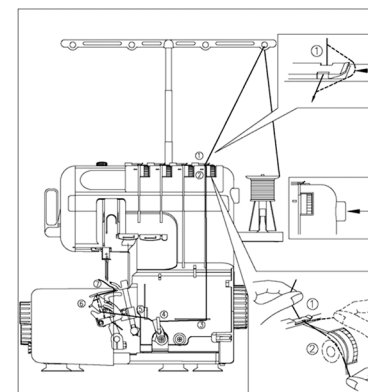


1. Ziehen Sie den Faden von der Rolle ab und führen Sie ihn zu sich hin durch das Loch in der Fadenführung am Ständer.
2. Führen Sie den Faden durch die Fadenführung (Pos. 1).
3. Führen Sie dann den Faden in den Steg und führen Sie ihn durch das Spannungseinstellrad neben dem Spannungseinstellknopf (Position 2).

4. Führen Sie den Faden zum oberen Schleifengänger, indem Sie ihn durch die Fadenführungen 3 bis 5 führen, die auf dem Overlockkörper grün markiert sind.
5. Führen Sie den Faden durch die Öffnung des oberen Schleifengängers zu sich selbst (siehe Position 6).

## BESTÜCKEN DES UNTEREN SCHLEIFENGÄNGERS

Ziehen Sie den Faden des unteren Schleifengängers wie in der Abbildung gezeigt ein (Positionen 1-7).

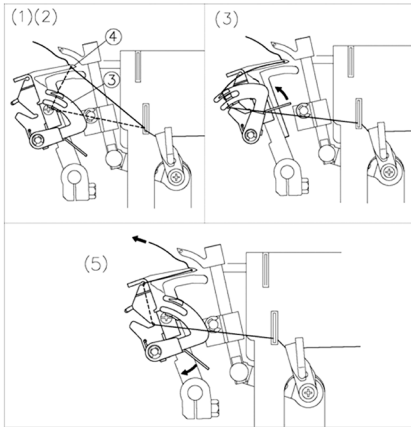


1. Ziehen Sie den Faden von der Rolle ab und führen Sie ihn zu sich hin durch das Loch in der Fadenführung am Ständer.
2. Führen Sie den Faden durch die Fadenführung (Pos. 1).
3. Führen Sie dann den Faden in den Steg und führen Sie ihn durch das Spannungseinstellrad neben dem Spannungseinstellknopf (Position 2).

4. Führen Sie den Faden in Richtung des unteren Schleifengängers, indem Sie ihn durch die blau markierten Fadenführungen 3-7 am Overlockkörper führen.

## BENUTZUNG DES AUTOMATISCHEN BESTÜCKUNGSSYSTEMS DES UNTEREN SCHLEIFENFÄNGERS

1. Führen Sie den Faden durch das Loch des unteren Schleifengängers (Position 1,2).



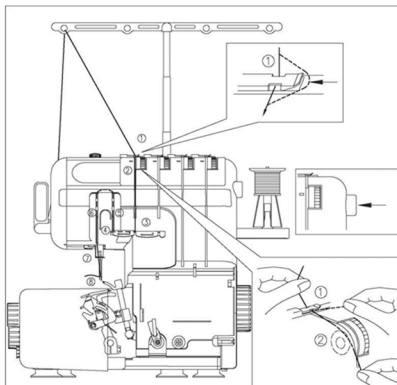
2. Führen Sie den Faden durch den Nadeinfädlerhebel (Position 3).
3. Bringen Sie den unteren Knopflocheinfädlerhebel (Pos. 5) in seine höchste Position, so dass das Ende des Hebels mit der blauen Markierung bündig ist.
4. Lösen Sie den unteren Knopflocheinfädlerhebel (Position 5) und ziehen Sie dann den Faden aus der Rückseite des Nähfußes heraus.

**ACHTEN SIE DARAUF, DASS SICH DIE FÄDEN NICHT VERHEDDERN!**

Ziehen Sie die Fäden so, dass der Faden des unteren Schleifengängers unter dem Faden des oberen Schleifengängers liegt.

**EINFÄDELN DER LINKEN NADEL**

Fädeln Sie die linke Nadel wie in der Abbildung gezeigt ein (Positionen 1 bis 8).

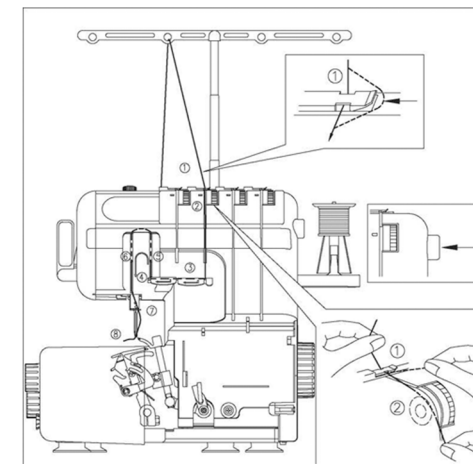


1. Ziehen Sie den Faden von der Spule ab und führen Sie ihn zu sich hin durch das Loch in der Fadenführung am Ständer.
2. Führen Sie den Faden durch die Fadenführung (Pos. 1).
3. Führen Sie dann den Faden in den Steg und führen Sie ihn durch das Spannungseinstellrad neben dem Spannungseinstellknopf (Position 2).

4. Führen Sie den Faden gemäß den Positionen 3 bis 5 durch.
5. Wenn Sie den Faden durch Position 6 führen, führen Sie ihn nach unten, so dass der Faden durch die Fadenführung (Position 7) läuft, und führen Sie dann den Faden durch die linke Nadel (Position 8).

**EINFÄDELN DER RECHTEN NADEL**

Fädeln Sie die rechte Nadel wie in der Abbildung gezeigt ein (Positionen 1 bis 8).



1. Ziehen Sie den Faden von der Spule ab und führen Sie ihn zu sich hin durch das Loch in der Fadenführung am Ständer.
2. Führen Sie den Faden durch die Fadenführung (Pos. 1).
3. Führen Sie dann den Faden in den Steg und führen Sie ihn durch das Spannungseinstellrad neben dem Spannungseinstellknopf (Position 2).
4. Führen Sie den Faden gemäß den Positionen 3 bis 5 durch.
5. Wenn Sie den Faden durch Position 6 führen, führen Sie ihn nach unten, so dass der Faden durch die Fadenführung (Position 7) läuft, und führen Sie dann den Faden durch die linke Nadel (Position 8).

## TABELLE DER STOFF-, FADEN- UND NADELKOMBINATIONEN

GEWEBE		NAHTTYP	STICHLÄNGE (mm)	FADEN	NADELN
Leichte Stoffe	Crep de Chine, Georgette Leinen, Organza, Trickotage	Overlock-Naht	2,0 - 3,0	Synthetik aus Fasern: Nr. 80 Baumwolle: Nr. 80, 100 Seiden: Nr. 80, 100	HAx1 Nr. 70 Nr. 80
Leichte Stoffe	Crep de Chine, Georgette Leinen, Organza, Trickotage	Schmale / Roll-Saumnaht	Weniger als 2,0	Nadelfaden: Polyester: Nr. 80 Nylon: Nr. 80 Faden des Schleifenfängers: Polyester: Nr. 280 Nylon: Nr. 80 kombinierte Faden aus Wolle und Nylon	HAx1 Nr. 70 Nr. 80
Stoffe mit durchschnittlicher Dichte	Popeline, Ginem Stoff, Seersucker, Gabardine, Trickotage	Overlock-Naht	2,5 - 3,5	Synthetik aus Fasern: Nr. 60, 80 Baumwolle: Nr. 60, 80 Seiden: Nr. 50, 80 Nylon: Nr. 50, 80 Polyester: Nr. 50, 80	HAx1 Nr. 80 №90
Dichte Stoffe	Cashemire Tweed, Jeans-Stoff Jersey	Overlock.Naht	3,0 - 4,0	Baumwolle: Nr. 40, 60 Seiden: Nr. 40, 70 Nylon: Nr. 30, 60, Polyester: Nr. 30, 60	HAx1 Nr.90

**△ HINWEIS:**

Zum dekorativen Nähen wird empfohlen, Zierfäden in den oberen Schleifenfänger einzufädeln.

## EINSTELLEN DER FADENSPIANNUNG

Wenn Sie den Spannungsknopf in Richtung der Markierungswerte drehen, wird die Fadenspannung erhöht.

Durch Drehen des Spannungsknopfes in Richtung der abnehmenden Markierungswerte wird die Fadenspannung reduziert.

Prüfen Sie die Spannung jedes Fadens auf dem Musterstoff, mit dem Sie arbeiten werden.

Erhöhung der Spannung - Reduzierung der Spannung



Für die meisten Operationen kann der Drehknopf auf "4" eingestellt werden.

**△ HINWEIS:**

Wenn Sie nicht in der Lage sind, die richtige Fadenspannung zu wählen, sehen Sie sich die weiteren Abbildungen an, die das Vorgehen "in diesem Fall" zeigen.

## SPANNUNGSEINSTELLTABELLE (DOPPELNADEL-OVERLOCK-MASCHINEN)

A Rückseite

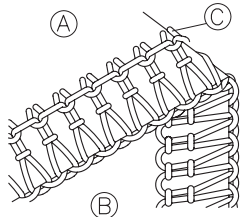
B Frontseite

C Faden der linken Nadel

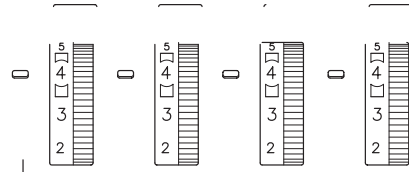
D Faden der rechten Nadel

E Faden des oberen Schleifenfängers

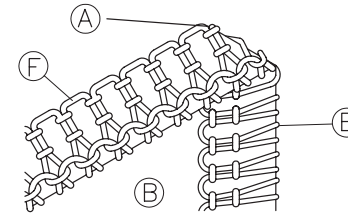
F Faden des unteren Schleifenfängers



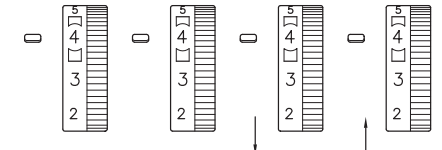
Unzureichende Fadenspannung der linken Nadel



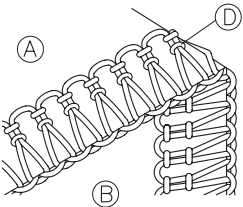
Erhöhen Sie die Fadenspannung der linken Nadel



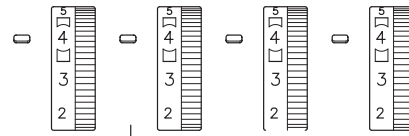
Unzureichende Fadenspannung des oberen Schleifenfängers. Zu hohe Fadenspannung des Schleifenfängers



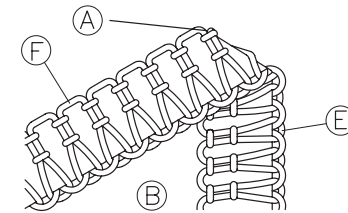
Erhöhen Sie Fadenspannung des oberen Schleifenfängers



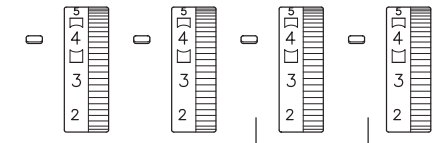
Unzureichende Fadenspannung der rechten Nadel



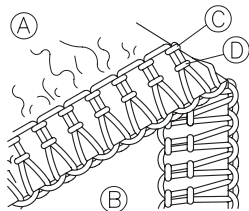
Erhöhen Sie die Fadenspannung der rechten Nadel



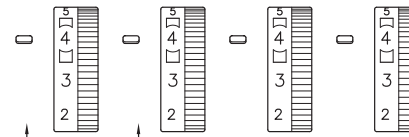
Unzureichende Fadenspannung des oberen Schleifenfängers



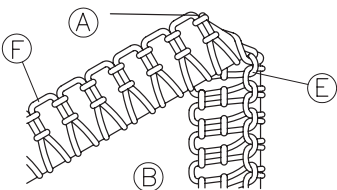
Erhöhen Sie Fadenspannung des unteren Schleifenfängers



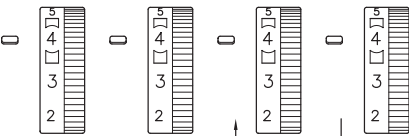
Überhöhte Fadenspannung der linken Nadel



Lösen Sie die Fadenspannung der linken Nadel

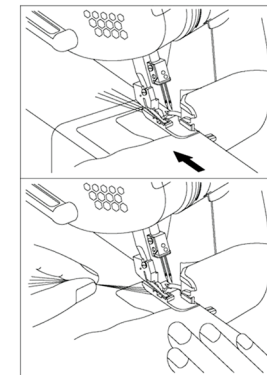


Zu hohe Fadenspannung am oberen Schleifenfänger. Unzureichende Spannung am unteren Schleifenfänger



Lösen Sie die Fadenspannung des oberen Schleifenfängers

## VERSUCHSNÄHEN



Wenn die Fäden richtig eingefädelt sind, können Sie mit dem Versuchsnähen beginnen.

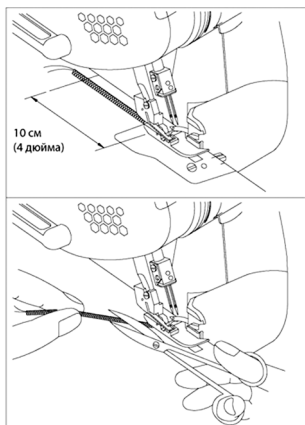
1. Heben Sie die Stoffstange an und legen Sie das Stoffmuster darunter. Senken Sie die Stoffstange ab und beginnen Sie dann mit dem Nähen. Heben Sie die Stoffstange nicht an, während die Overlock-Maschine läuft, da die Nähte sonst ungleichmäßig werden.
2. Bevor Sie den Fußanlasser mit der rechten Hand drücken, drehen Sie das Handrad gegen den Uhrzeigersinn, während Sie das



Fadenende mit der linken Hand festhalten. Überprüfen Sie gleichzeitig den Modus der Overlock-Maschine.

3. Drücken Sie das Fußpedal vorsichtig herunter.

## NÄHEN EINES KETTENSTICHS

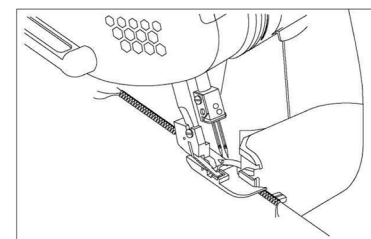


Halten Sie nach Beendigung des Versuches den Fußanlasser so gedrückt, dass der Stich etwa 10 cm (4 Zoll) über die Stoffkante hinausgeht. Die Overlock-Maschine näht automatisch einen Kettenstich.

- Wenn die Fadenspannung ungleichmäßig ist, wird der Kettenstich ungleichmäßig sein. Halten Sie in einem solchen Fall das Fadenende mit der Hand fest, prüfen Sie, ob der Faden richtig eingefädelt ist, und stellen Sie dann die Fadenspannung ein. Nach der Einstellung wird der Kettenstich gleichmäßig genäht.

## FADENBRUCH BEIM NÄHEN

- Wenn während des Betriebs ein Fadenbruch auftritt, entfernen Sie den Stoff unter der Stoffstange und fädeln Sie dann in der richtigen Reihenfolge ein:
  1. Fädeln Sie den oberen Schleifenfänger, den unteren Schleifenfänger und die rechte Nadel ein.
  2. Fädeln Sie dann die linke Nadel ein, und legen Sie den Stoff so unter die Stoffstange, dass die Fadenbrüche 3 bis 5 cm entfernt sind.
  3. Setzen Sie die Arbeit fort.



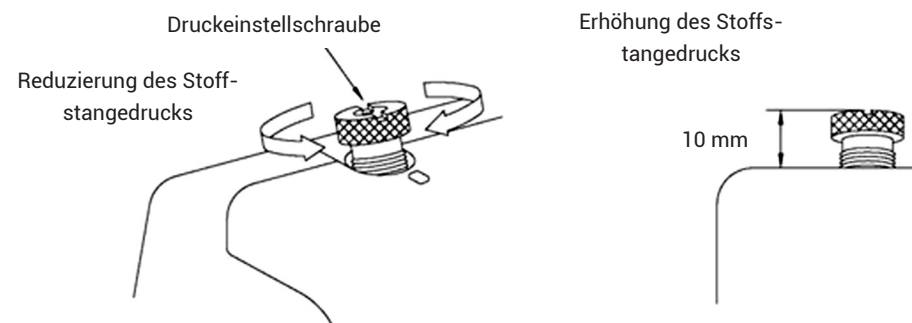
- △ HINWEIS:**  
Ziehen Sie den Stoff beim Nähen nicht unter der Stoffstanfe hervor, da dies die Nadel verbiegt oder bricht.

## EINSTELLEN DES ANDRUCKS DER STOFFSTANGE

- Der Stoffstangedruck auf den Stoff ist zunächst für mittlere Stoffarten eingestellt.
- Je nach Stoffart können Sie den Stoffstangedruck mit der Einstellschraube verändern.

Für die Arbeit mit leichten Stoffen muss Stoffstangedruck reduziert werden.

Bei der Arbeit mit dichten Stoffen muss der Stoffstangedruck erhöht werden.

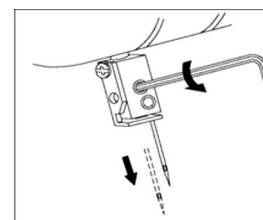


## STÖRUNGEN UND FEHLERSUCHE

STÖRUNG	URSACHE	BESEITIGUNG
Maschine fördert nicht den Stoff	Schwacher Stofftangedruck auf den Stoff	Erhöhen Sie den Stofftangedruck auf den Stoff durch Drehen der Einstellschraube
Nadelbruch	<ol style="list-style-type: none"> <li>1. Die Nadel ist verbogen oder die Nadelspitze ist stumpf</li> <li>2. Die Nadel ist nicht korrekt installiert</li> <li>3. Erzwungenes Dehnen des Stoffes beim Nähen</li> </ol>	<ol style="list-style-type: none"> <li>1. Die Nadel austauschen</li> <li>2. Installieren Sie die Nadel ordnungsgemäß in die Nadelklemme</li> <li>3. Führen Sie den Stoff beim Nähen vorsichtig mit beiden Händen.</li> </ol>
Fadenbruch	<ol style="list-style-type: none"> <li>1. Der Faden ist falsch eingefädelt</li> <li>2. Der Faden ist verheddert</li> <li>3. Die Fadenspannung ist zu hoch</li> <li>4. Die Nadel ist nicht korrekt installiert</li> <li>5. Falsche Nadelauswahl</li> </ol>	<ol style="list-style-type: none"> <li>1. Bestücken Sie die Maschine richtig</li> <li>2. Überprüfen Sie den Fadenspulenstift, die Fadenführungsstange usw., entfernen Sie verwickelte Fäden.</li> <li>3. Stellen Sie Fadenspannung ein</li> <li>4. Positionieren Sie Nadel richtig in der Klemme</li> <li>5. Verwenden Sie die empfohlenen Nadeln.</li> </ol>

Fehlende Stiche	<ol style="list-style-type: none"> <li>1. Die Nadel ist verbogen oder die Nadelspitze ist stumpf</li> <li>2. Die Nadel ist nicht korrekt installiert</li> <li>3. Falsche Nadel gewählt</li> <li>4. Falsches Einfädeln</li> <li>5. Schwacher Druck der Stoffstange auf den Stoff</li> </ol>	<ol style="list-style-type: none"> <li>1. Die Nadel austauschen</li> <li>2. Installieren Sie die Nadel ordnungsgemäß in die Nadelklemme</li> <li>3. Verwenden Sie die empfohlenen Nadeln</li> <li>4. Die Maschine richtig bestücken.</li> <li>5. Drehen Sie die Einstellschraube im Uhrzeigersinn, um den Druck der Stoffstange auf den Stoff zu erhöhen.</li> </ol>
Ungleichmäßige Stiche	Falsche Fadenspannung	Einstellen der Fadenspannung
Stiche	<ol style="list-style-type: none"> <li>1. Zu hohe Fadenspannung</li> <li>2. Die Nadel ist nicht richtig eingefädelt oder hat sich verheddert</li> </ol>	<ol style="list-style-type: none"> <li>1. Reduzieren Sie die Fadenspannung für leichte und dünne Stoffe</li> <li>2. Entfernen Sie verhedderte Fäden und fädeln Sie die Maschine richtig ein</li> </ol>
Stoffstau		

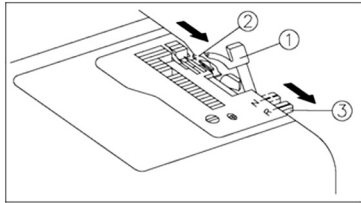
## ROLL- UND SCHMALE SAUMNAHT



Die Roll- und schmale Saumnaht sind ideal für das Arbeiten mit dünnen Materialien wie Crepe-Georgette, Crepe de Chine, Seiden usw.

1. Heben Sie die Stoffstange an.
2. Entfernen Sie die linke Nadel.

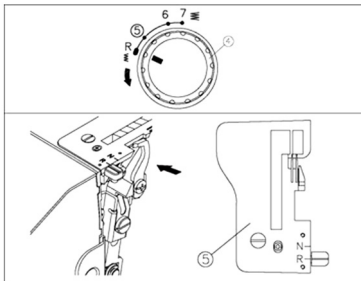
- Führen Sie den Faden in die rechte Nadel ein, um einen dreifädigen Overlockstich zu nähen. Bewegen Sie dann den Zahnstangehebel des Stoffvorschubmechanismus in die Position "R".



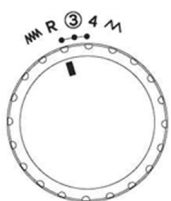
**△ HINWEIS:**  
Bevor Sie einen Standard-Overlockstich nähen, vergewissern Sie sich, dass die Zahnstange eingesetzt ist.

- Oberer Schleifenfänger.
- Zahnstange des Stoffvorschubmechanismus.
- Zahnstangehebel.

- Stellen Sie die gewünschte Stichbreite für den Rollsaumstich ein. Drehen Sie den Einstellknopf für die Stichbreite, der sich in der Nähe der vorderen Abdeckung der Overlock-Maschine befindet, auf die Position "R".



- Stichbreiteregler.
- Nadelplatte mit eingezogener Zahnstange.



- Stellen Sie das Stichlängeregler auf "R", wie in der Abbildung gezeigt.

## SCHMALE SAUMNAHT

Stellen Sie die Fadenspannung gemäß den unten stehenden Empfehlungen ein

- Fadenspannung des oberen Schleifenfängers - 4-6
- Fadenspannung des unteren Schleifenfängers - 4-6
- Fadenspannung der rechten Nadel 4-6

Die Einstellungen können je nach Art des verwendeten Stoffs und Fadens leicht variieren.

## ROLLSAUMNAHT

Stellen Sie die Fadenspannung gemäß den unten stehenden Empfehlungen ein:

- Fadenspannung des oberen Schleifenfängers - 4-6
- Fadenspannung des unteren Schleifenfängers - 5-7
- Fadenspannung der rechten Nadel 4-6

Die Spannung kann je nach Art des Stoffs und der verwendeten Faden leicht variieren.

## BEISPIELTABELLE FÜR ROLL- UND SCHMALE SAUMNAHT

	SCHMALE SAUMNAHT	ROLLSAUMNAHT
Stichart	Die Rückseite des Stoffes	Rückseite des Stoffes

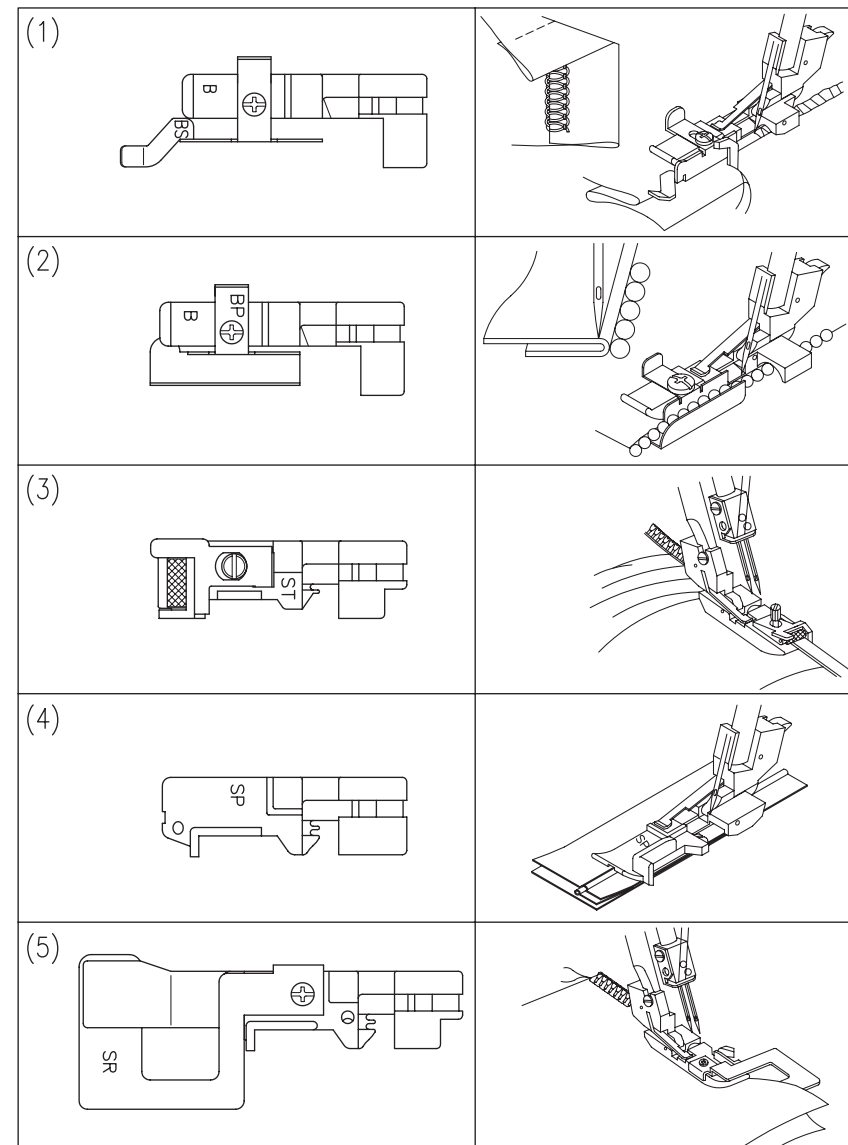
Typ des Stoffes	Leichte Stoffe Crepe de Chine Georgette Leinen Organza	Leichte Stoffe Crepe de Chine Georgette Leinen Organza
Nadelfaden	Nylonfäden Nr. 50 – Nr. 100 Polyesterfäden Nr. 50 – Nr. 100	Nylonfaden Nr. 100 Polyester-Fäden Nr. 100
Faden der oberen Schleifstange	Kombinierte Fäden aus aus Wolle und Nylon Nylonfäden Nr. 100 Polyester-Fäden Nr. 100	Kombinierte Fäden aus Wolle und Nylon Dekorative Fäden
Faden der unteren Schleifstange	Nylonfäden Nr. 50 – Nr. 100 Polyesterfäden Nr. 50- Nr. 100	Nylon-Fäden Nr. 100 Polyester-Fäden Nr. 100
Stichlänge	R	R
Stichbreite	R.5 (Doppelnadel-Overlock-Maschinen)	R.5 (Doppelnadel-Overlock-Maschinen) (Doppelnadel-Overlock-Maschinen)
Fadenspannung	4(4-6)	4 (4-6)
Nadelfaden	5(4-6)	4 (4-6)
Faden des oberen Schleifenfängers Faden des unteren Schleifenfängers	4 (4-6)	6 (5-7)

## VERWENDUNG UNTERSCHIEDLICHER STOFFSTANGEN

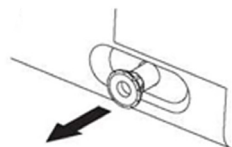
1. Stoffstange für Blindstich / bündiges Nähen
2. Stoffstange für Einrichtung der Glasperlen / Pailletten
3. Stoffstange für elastischen Stich

## 4. Stoffstange für Abkanten mit Schrägstrich

## 5. Stoffstange für Fälbel der Stoffe



## ENTFERNEN DES OBERMESSERS



Um die Overlockmaschine zu betreiben, ohne den Stoff zu unterschneiden, bewegen Sie den Hebel zur Einstellung der Position des Obermessers von Markierung 1 auf Markierung 2. Dann wird Obermesser nicht betrieben.

## MESSERERSATZ

Ein stumpfes Messer muss ersetzt werden.

### ⚠ WARNUNG!

Trennen Sie vor dem Auswechseln des Messers die Overlock-Maschine von der Stromversorgung ab, indem Sie den Stecker des Netzkabels aus der Steckdose ziehen.

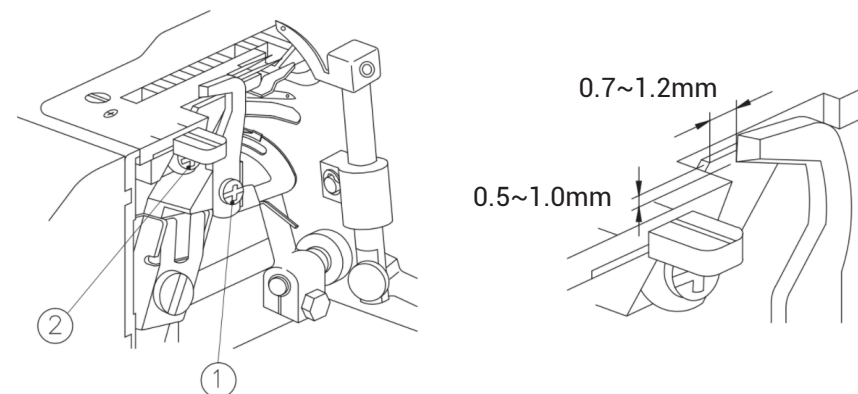
## ERSATZ DES OBERMESSERS

- Entfernen Sie die obere Abdeckung und heben Sie das Obermesser in seine höchste Position.
- Lösen Sie die Schraube, mit der die obere Klinge befestigt ist, und entfernen Sie die Klinge.
- Setzen Sie ein neues Messer in den Halter ein.
- Ziehen Sie die Schraube an, mit der das Obermesser befestigt ist.

**STELLEN SIE DIE POSITION DES OBERMESSERS SO EIN, DASS DIE KANTE DES OBERMESSERS 0,5-1,0 MM ÜBER DIE KANTE DES UNTERMESSERS HERAUSRAGT.**

## ERSATZ DES UNTERMESSERS

- Lösen Sie die Schraube, mit der das untere Messer befestigt ist, und entfernen Sie das Messer.
  - Setzen Sie ein neues Messer in den Halter ein.
  - Das Untermesser muss so positioniert werden, dass die Kante seiner Klinge bündig mit der Stichplatte ist.
  - Ziehen Sie die Schraube an, mit der das Untermesser befestigt ist
1. Befestigungsschraube des Obermessers.
  2. Befestigungsschraube des Untermessers.



## OBERER SCHLEIFENGÄNGERKONVERTER FÜR 2-FADEN SÄUMEN DES STOFFES

### ⚠ ACHTUNG!

Wenn Sie den Konverter ausbauen oder austauschen, müssen Sie unbedingt den Netzstecker des Geräts ziehen.

### VERWENDUNG DES KONVERTERS:

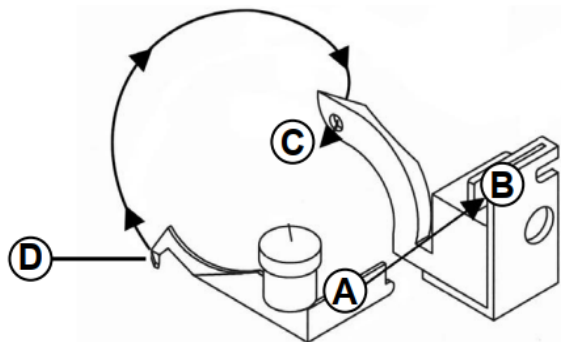
- 1) Öffnen Sie die vordere Abdeckung und heben Sie die Nadel in die höchste Position..
- 2) Schieben Sie die Konverterplatte (A) in den Schlitz (B) und stecken Sie das Konverterende (D) in die Öffnung des oberen Schleifengängers (C).

### ENTFERNUNG DES KONVERTERS:

Ziehen Sie das Konverterende (D) aus dem oberen Knopfloch (C) und entfernen Sie den Konverter aus dem Schlitz (B).

**Hinweis:** Bewahren Sie den Konverter bei Nichtgebrauch im Karton mit dem Zubehör auf.

Der Konverter ist nur für den EFFEKTIV Triumphator 1800X verfügbar.



### REINIGUNG UND SCHMIERUNG

Eine regelmäßige Reinigung und Schmierung ist notwendig, um eine optimale Leistung der Maschine zu gewährleisten.

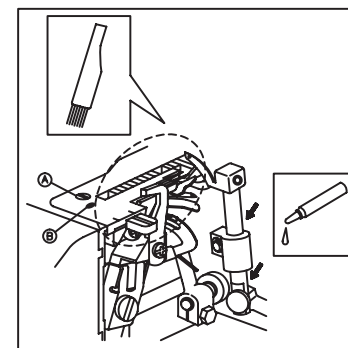
**TRENNEN SIE DIE MASCHINE VOR WARTUNGSARBEITEN IMMER VOM STROMNETZ, INDEM SIE DEN NETZSTECKER AUS DER STECKDOSE ZIEHEN!**

1. Entfernen Sie die Frontabdeckung.
2. Tragen Sie einen Tropfen Nähmaschinenöl an den durch die Pfeile gekennzeichneten Stellen auf.

**VERWENDEN SIE IMMER NUR HOCHWERTIGES NÄHMASCHINENÖL. WENN DIE OVERLOCK-MASCHINE HÄUFIG BENUTZT WIRD, MUSS SIE EINMAL PRO WOCHE GESCHMIERT WERDEN!**

#### REINIGUNG

1. Reinigen Sie die Stichplatte mit einer Bürste.
2. Lösen Sie die Schraube A. Entfernen Sie die Stichplatte.

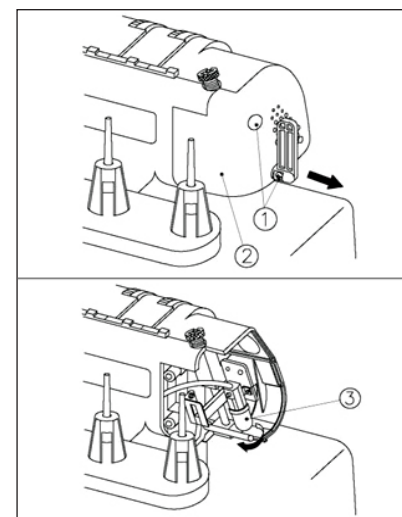


- Schraube B. Nur für Overlockmaschine-Reparatur und -Einstellung. Lösen oder entfernen Sie diese Schraube nicht.

### AUSWECHSELN DER BELEUCHTUNGSLAMPE

Bevor Sie die Lampenschutzabdeckung entfernen, ziehen Sie den Stecker des Netzkabels aus der Netzsteckdose.

- Lösen Sie die Sicherungsschraube der Fußstange, heben Sie den Hebel der Fußstange an und nehmen Sie ihn dann von der Maschine ab.
- Lösen Sie die Schraube, mit der die Lampenschutzabdeckung befestigt ist, und entfernen Sie die Abdeckung wie in der Abbildung unten gezeigt.



- Lösen Sie die Schraube, mit der die Lampenabdeckung befestigt ist, ziehen Sie die Abdeckung nach oben und nehmen Sie sie ab.
  - Entfernen Sie die Beleuchtungslampe und schrauben Sie eine neue ein
1. Befestigungsschraube der Fußstange.
  2. Lampenschutzabdeckung.
  3. Befestigungsschraube des Lampenabdeckung.

## MASCHINENSPEZIFIKATION

Entwickelt für die Arbeit	Mit Stoffen, die von leicht bis dicht reichen
Betriebsgeschwindigkeit	1200 Stiche pro Minute
Stichlänge (Teilung)	1,1 bis 4 mm (3/64 bis 5/32 Zoll)
Stichbreite (Teilung)	2,3 bis 7,0 mm (5/64 bis 9/32 Zoll)
Fußstange	Auswechselbare Fußstange
Anheben der Fußstange	5 - 6 mm (3/16 - 15/64 in.)
Nadelführerhub	25 mm (1 Zoll)
Nadel	HAX1
Anzahl von Nadeln und Fäden	Umbau zum Drei- oder Vierfadenstich. Funktion mit einem oder zwei Nadeln.
Nettogewicht der Maschine	7,0 kg.
Nadelsatz HAX1	Nº80 (2), Nº90 (2)
Typ	<b>TRIUMPHATOR 1700X / 1800 X</b>

## ÜBRIGE INFO:

### ENTSORGUNG

Bei der Entsorgung dieser Erzeugnisse empfehlen wir Ihnen, dieses Produkt nicht mit dem normalen Hausmüll zu entsorgen. Um mögliche negative Auswirkungen auf die Umwelt zu vermeiden, befolgen Sie die Verfahren für die Behandlung, Entsorgung und das Recycling von gebrauchten elektronischen Produkten.

Im Falle von Garantiefällen - wenden Sie sich an die empfohlenen Servicestellen.

## STICHTYP EINSTELLTABELLE

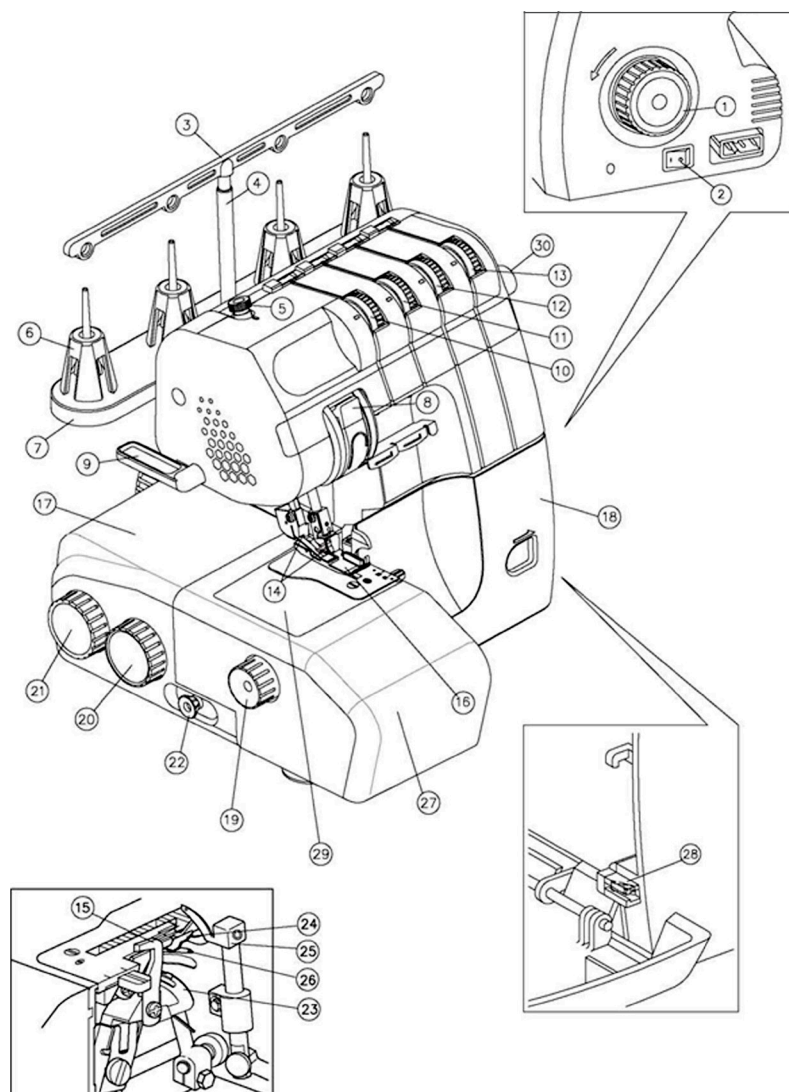
Nº	Name der Naht	Spannung			
		I	II	III	IV
1•	2-Nadel-3-Faden-Flatlock	1	1	-	8
2•	2-Faden-Rollnaht	-	4	-	4
3•	2-Faden schmale Naht	-	4	-	4
4•	2 Faden breite Flatlock	1	-	-	8
5•	2-Faden breite Naht mit Aufnähen	4	-	-	4
6•	2-Faden breit	4	-	-	4
7•	3 Faden 2-Nadel Naht mit Aufnähen	4	4	-	4
8•	3 Faden 2 Nadelnaht	4	4	-	4
9	3-Faden-Rollnaht	-	4	4	4
10	3-Faden schmale Flatlock	-	0	1	8
11	3-Faden schmale dichte Naht	-	4	4	4
12	3-Faden schmale Naht mit Aufnähen	-	4	4	4
13	3 Faden schmale Naht	-	4	4	4
14	3 Faden breite Flatlock	0	-	1	8
15	3 Faden breite dichte Naht	4	-	4	4
16	3-Faden breite Naht mit Aufnähen	4	-	4	4
17	3-Faden breite Naht	4	-	4	4
18	4-Faden-dichte Naht	4	4	4	4
19	4 Faden Naht mit Fälbeln	4	4	4	4
20	4 Faden Naht	4	4	4	4

Länge	Breite	Differentialer Vorschub	Breithalter	Konvektor
2-4	5-7	1	N	+
R	R	1	R	+
2-4	5-7	1	N	+
2-4	5-7	1	N	+
2-4	5-7	2	N	+
2-4	5-7	1	N	+
2-4	5-7	2	N	+
2-4	5-7	1	N	+
R	R	1	R	-
2-4	5-7	1	N	-
R	5-7	1	N	-
2-4	5-7	2	N	-
2-4	5-7	1	N	-
2-4	5-7	1	N	-
R	5-7	1	N	-
2-4	5-7	2	N	-
2-4	5-7	1	N	-

• Die Stichnummern 1 bis 8 sind nur für den Triumphator 1800X verfügbar

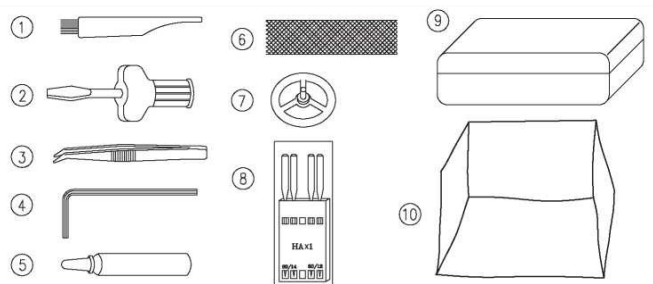


## I NOMI DELLE PARTI PRINCIPALE

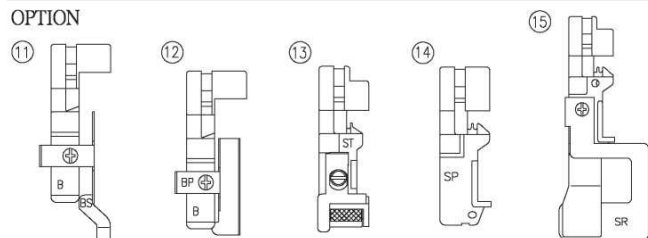


1. La ruota
2. L'interruttore di alimentazione e l'illuminazione
3. Guidafile
4. Supporto al guidafile
5. La vite di regolazione della pressione del piedino sul tessuto
6. Il supporto della bobina
7. Supporto per le bobine
8. Copertura tirafilo
9. Leva di sollevamento del piedino premistoffa
10. Regolatore di tensione del filo a sinistra dell'ago
11. Regolatore di tensione del filo con un ago
12. Regolatore di tensione del filo superiore bobina
13. Regolatore di tensione del filo bobina inferiore
14. Ago
15. Lama superiore
16. Piedino
17. Piattaforma per il posizionamento del tessuto
18. Il coperchio anteriore
19. Regolatore di larghezza di cucitura
20. Manopola di regolazione lunghezza punto
21. Regolatore differenziale di alimentazione
22. La leva di regolazione superiore del coltello
23. Guida per la bobina inferiore
24. La fascia del meccanismo di promozione del tessuto
25. Bobina superiore
26. Bobina inferiore
27. Braccio libero della piattaforma
28. Salvataggio
29. Cover della piattaforma
30. Premere il pulsante di scatto allentamento della tensione del filo

## ACCESSORI IN DOTAZIONE CON OVERLOCK



OPTION



Le immagini corrispondono ai numeri di accessori:

- |   |  |
|---|--|
| 1. Spazzola                                       | 10. Custodia per overlock:<br>Opzionale (non incluso nel<br>kit; venduto<br>separatamente) |
| 2. Cacciavite                                     | 11. Piedino per orlo invisibile punto  |
| 3. Pinzetta                                       | 12. Piedino per cucire perline/<br>paillettes  |
| 4. Chiave esagonale                               | 13. Piedino per cucitura elastica  |
| 5. Olio   | 14. Piedino per orli<br>bakey  |
| 6. Maglia (4)                                     | 15. Piedino per eseguire assem-<br>blaggi  |
| 7. Limitatore della bobina<br>filo (4)            |  |
| 8. Set di aghi: HAX1.80/12 : 2 pz<br>90/14 : 2 pz |  |
| 9. Scatola per cucito<br>accessori                |  |

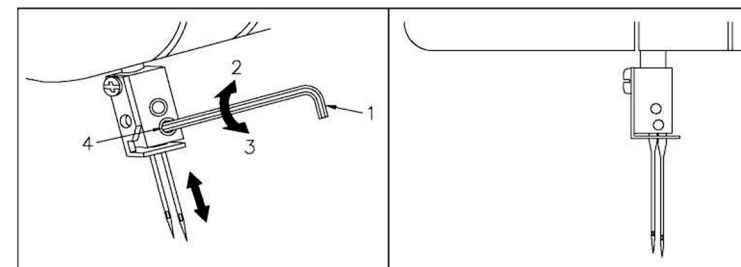
## AGO

Questa macchina è stato progettato per funzionare con gli aghi standard.

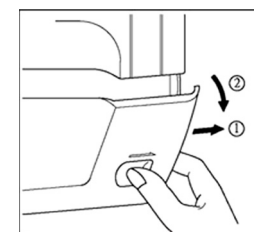
Utilizzare l' ago HAX1 (130/70SH)

Sostituzione dell'ago

1. Ruotare la ruota verso se stessi, per portare l'ago nella posizione più alta.
2. Allentare la vite di bloccaggio dell'ago con la chiave in dotazione.
3. Inserire in portaaghi nuovo ago (con il lato piatto) fino in fondo.
4. Serrare la vite di bloccaggio dell'ago.



## COME TOGLIERE IL COPERCHIO ANTERIORE



Per rimuovere il coperchio anteriore, scorrere verso destra come mostrato in figura. 1.

Tirare il coperchio su di sé, come mostrato in figura. 2

**⚠ ATTENZIONE!**

Prima di iniziare, assicurarsi che il coperchio anteriore è installato sul posto!

**L'INIZIO DI CUCITURA**

Collegare la macchina alla rete elettrica. Portare l'interruttore di alimentazione il dispositivo in posizione "1". Con questo la spia si spegne.

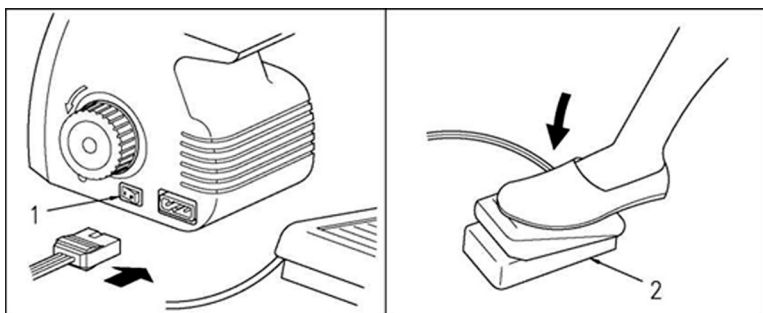
Per spegnere l'overlock portare l'interruttore di alimentazione in posizione "0". Così la spia si spegne.

Il motore del dispositivo non può esercitare il suo lavoro, se il coperchio anteriore è tolto.

**INTERRUTTORE A PEDALE**

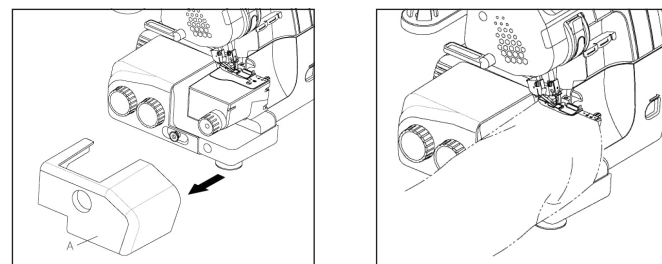
È stato progettato per il controllo della velocità di cucitura.

1. L'interruttore di alimentazione
2. Interruttore a pedale



**L'USO DELLA PIATTAFORMA**

1. Far scorrere il coperchio E a sinistra.
2. Per entrare indossare una manica in piattaforma.



**REGOLAZIONE DELLA LUNGHEZZA DEL PUNTO:**



1. Per eseguire la maggior parte delle operazioni del cucito manopola di regolazione lunghezza punto deve essere installata sul segno 3 mm (7/64 pollici).
2. Quando si lavora con tessuti densi impostare la manopola regolazione della lunghezza del punto a segno 4 mm (5/32 pollici).

**REGOLAZIONE DELLA LUNGHEZZA DEL PASSO**

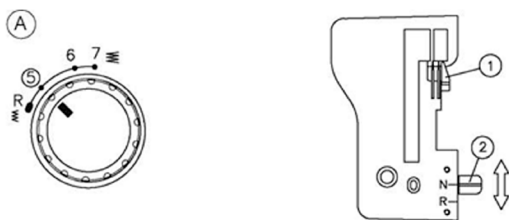
**Ago overlock**

- (1) Per diminuire la larghezza del punto ruotare verso l'alto regolatore

larghezza del punto, situato vicino con coperchio. Per aumentare la larghezza di cucitura, ruotare il regolatore verso il basso.

La larghezza di cucitura può essere regolata in un intervallo di R 4,5 mm (11/64 pollici) fino a 7 mm (9/32 pollici).

La larghezza standard del punto per effettuare una normale zig zag cucitura è di 5 mm (13/64 pollici).

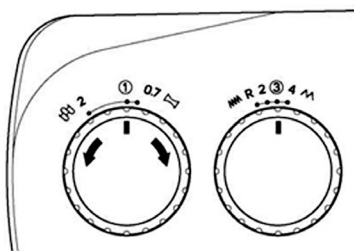


## DIFFERENZIALE DI AVANZAMENTO DEL TESSUTO

Per raggiungere le velocità di avanzamento del tessuto impostare il regolatore differenziale di alimentazione così come è illustrato nella figura seguente.

Differenziale con il flusso di tessuto può essere regolato in un range 0,7-2,0.

Di serie viene utilizzato il valore di 1,0.



IL NOME E L'OBIETTIVO RAGGIUNTO	TIPO DI ALIMENTAZIONE	IL MECCANISMO POSTERIORE DEL RILASCIO TESSUTO	MECCANISMO anterioredifferenziale	CONFIGURAZIONE
Prevenzione cucitura ondulata Tessuto raccolto	Alimentazione con il valore positivo			1,0 - 2,0
Senza dare le differenze	Alimentazione neutra			1,0
Prevenzione inceppamento del tessuto	Alimentazione differenziale negativo			0,7 - 1,0

## AVANZAMENTO DIFFERENZIATO DEL TESSUTO

Il meccanismo differenziale di alimentazione viene utilizzato per prevenire la formazione di linee ondulate e un inceppamento del tessuto.

Anche questo meccanismo consente di raccogliere tessuto.

### INCEPPAMENTO del TESSUTO

Inceppamento è tipico di quando si lavora con tessuti o prodotti o leggeri. Per ottenere cuciture impostare il regolatore differenziale di alimentazione indicatore al di sotto del livello 1.

### LINEE ONDULATE

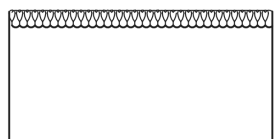
Le linee ondulate possono formarsi quando si lavora con tessuti di maglia o tessuti elastici.

Per evitare la formazione di linee ondulate impostare il regolatore differenziale di alimentazione indicatore al di sotto del livello 1.

### RACCOLTA TESSUTO

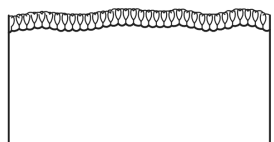
Meccanismo differenziale di flusso facilita la raccolta dei leggeri tessuti. Utilizzare questa opzione per eseguire cuciture in girovita, delle maniche, trattamento di fondo, polsini, ecc.

Per ottenere risultati ottimali quando si esegue assemblaggi sul tessuto impostare il regolatore differenziale di flusso tra gli indicatori 1,5 e 2.



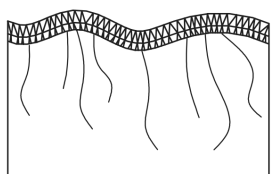
#### CUCITURA REGOLARE

Vestiti senza linee ondulate



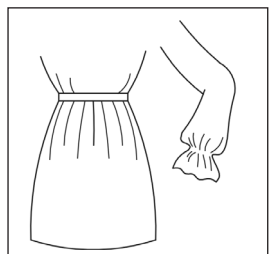
#### IRREGOLARE CUCITURA

Inceppamento del tessuto (senza montaggio)



#### ONDULATO CUCITURA

Orlo ondulato del tessuto (senza inceppamenti)

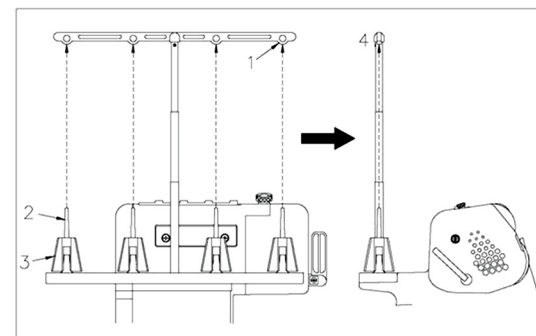


#### RACCOLTA

Raccolta del tessuto

## L'INSTALLAZIONE DI BANCHI AL GUIDAFILO CON

Overlock viene fornito con il supporto al guidafile con in basso la posizione. Sollevare il tasto di guidafile alla posizione superiore estrema. Quindi regolare la posizione di guidafile.



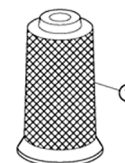
## LIMITATORI PER BOBINE DI FILO



Il limitatore serve per il fissaggio della bobina di filo al termine di overlock.

1. Limitatore per bobine di filo.

## MAGLIA PER BOBINE DI FILO



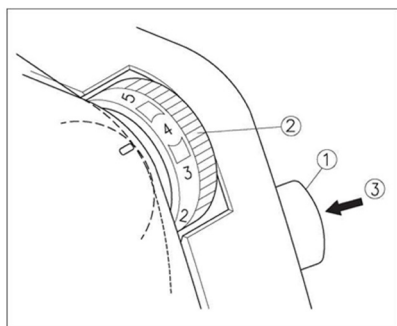
Quando escono dalla bobina i fili di poliestere o di nylon allora i fili perdono la tensione. Per mantenere costante la velocità di avanzamento di tali fili serve maglia, che si mette sopra la bobina.

1. La maglia.

## PULSANTE DI ALLENTAMENTO DELLA TENSIONE DEL FILO

Overlock dotato di un pulsante di momentaneo allentamento della tensione del filo.

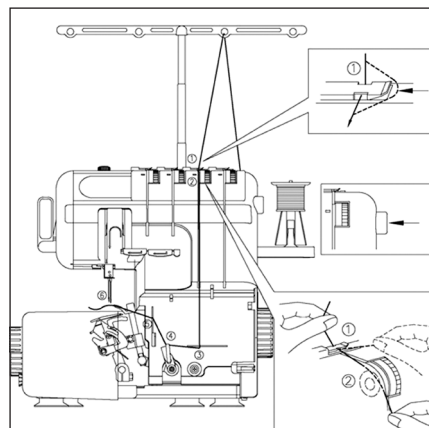
Durante il rifornimento di fili, è necessario eseguire le seguenti operazioni:



1. Premere il tasto di allentamento tensione del filo, che si trova a destra della manopola di regolazione della tensione.
2. Far passare il filo attraverso unità di controllo della tensione, si trova in una scanalatura per la maniglia di regolazione della tensione.
3. Fare clic sul pulsante.

## RICARICA SUPERIORE LOOPER

Infilare il filo superiore della bobina, così come indicato nel diagramma (posizione 1-6).

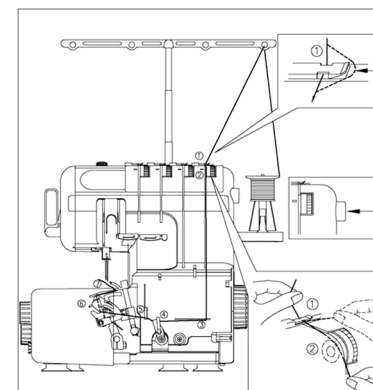


1. Tirare il filo dal rocchetto e Far passare verso se stesso attraverso il foro al guidafile con la base.
2. Far passare il filo attraverso guidafile (posizione 1).
3. Poi prendi il filo nella scanalatura e passare attraverso l'unità di controllo di trazione, situato accanto alla manopola di regolazione della tensione (posizione 2). / 1800X

4. Far scorrere il filo nella direzione verso l'alto, subendo attraverso guidafile 3-5 segnate in verde sul corpo overlock.
5. Far scorrere il filo attraverso il foro superiore della bobina in direzione da se stesso (vedere il punto 6).

## RICARICA BOBINA INFERIORE

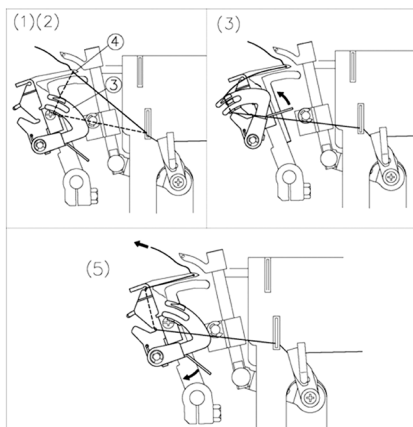
Infilare il filo bobina inferiore come mostrato nel diagramma (posizione 1-7).



1. Tirare il filo dal rocchetto e far passare verso di sé attraverso un foro al guidafile con la base.
2. Far passare il filo attraverso guidafile (posizione 1).
3. Poi prendi il filo nella scanalatura e passare attraverso l'unità di controllo di trazione, situato vicino con la maniglia di regolazione della tensione (posizione 2).
4. Tirare il filo verso il basso, subendo attraverso guidafile 3-7, segnate in blu custodia overlock.

## L'USO DI UN MECCANISMO AUTOMATICO DI RIFORNIMENTO FILO BOBINA INFERIORE

1. Far passare il filo attraverso il foro bobina inferiore (posizione 1,2)
2. Passare il filo dietro la leva infila ago (posizione 3).



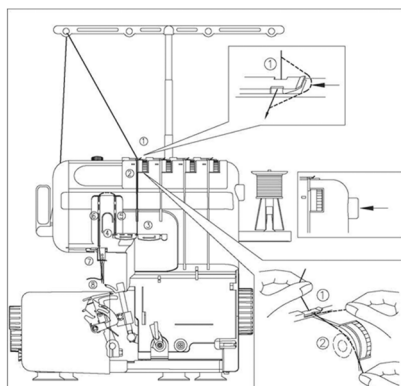
3. Portare la leva di rifornimento bobina inferiore (posizione 5) nella posizione più alta in modo che l'estremità della leva si trovasse su un unico livello con l'indicatore blu.
4. Rilasciare la leva di rifornimento bobina inferiore (posizione 5) e poi tirare il filo con la parte posteriore della zampetta.

### ASSICURARSI CHE I FILI NON SONO AGGROVIGLIATI!

Tirare il filo in modo che il filo bobina inferiore si trova sotto il filo bobina superiore.

## RICARICA DELL'AGO SINISTRO

Mettete l'ago sinistro così come indicato nel diagramma (posizione 1-8).

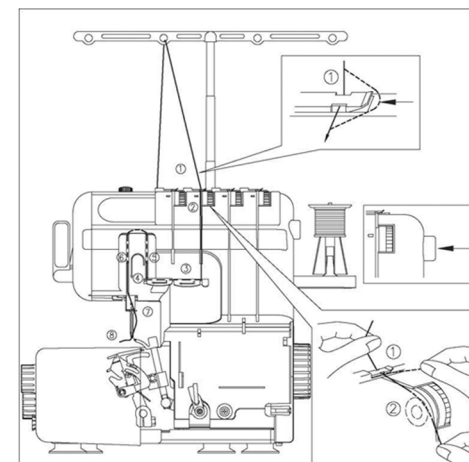


1. Tirare il filo dalla bobina e perdere il verso a se stesso attraverso il foro al guidafile con la base.
2. Far passare il filo attraverso guidafile (posizione 1).
3. Poi prendi il filo nella scanalatura e passare attraverso l'unità di controllo di trazione, situato accanto alla manopola di regolazione della tensione (posizione 2).

4. Far scorrere il filo in linea con le posizioni 3-5.
5. Quando si passa il filo attraverso la posizione 6 puntare verso il basso per il filo è passato attraverso il guidafile (posizione 7), quindi far passare il filo attraverso il lato sinistro ago (posizione 8).

## RICARICA DELL' AGO DESTRO

Mettere l'ago destra, così come indicato nel diagramma (posizione 1-8).



1. Tirare il filo con bobina e far passare verso se stessi attraverso il foro al guidafile con il rack.
2. Far passare il filo attraverso guidafile (posizione 1).
3. Poi prendere il filo in scanalatura e passare attraverso unità di controllo di trazione, situato vicino con la manopola di regolazione tensione (posizione 2).
4. Far scorrere il filo in linea con le posizioni 3-5.
5. Quando si passa il filo attraverso la posizione 6 puntare verso il basso per il filo è passato attraverso il guidafile (posizione 7), quindi far passare il filo attraverso il lato sinistro ago (posizione 8).

## TABELLA COMBINAZIONI DI TESSUTI, FILI E AGHI

TESSUTO		IL TIPO DI CUCITURA	LUNGHEZZA	FILLO	AGO
Tessuto leggero	Crep de chine Georgette di lino Organza maglieria	Cucitura zig zag	2,0 - 3,0	Sintetico di fibre: №80 Cotone: №80, 100 Di seta: №80, 100	HAX1 №70 №80
Tessuto leggero	Crep de chine Georgette di lino Organza	Cucitura al taglio	Meno 2,0	Il filo dell'ago: Poliestere: №80 Nylon: №80 Filo bobina: poliestere: N280 Nylon: №80 combinati il filo di lana e nylon	HAX1 №70 №80
Tessuto medio	Maglieria in popeline gitanam siresaker gabardine twill	Cucitura zig zag	2,5 - 3,5	Sintetico di fibre: №60, 80 Cotone: №60, 80 Seta: №50, 80 Tylon: №50, 80 Poliestere: №50, 80	HAX1 №80 №90
Tessuto denso	Denim Tessuto jersey Tweed Cashemir	Cucitura zig zag	3,0 - 4,0	Cotone: №40, 60 Di seta: №40, 60 Nylon: №30, 60 Poliestere: №30, 60	HAX1 №90

**△ NOTA:**

Per cuciture decorative in bobina superiore si consiglia di mettere dei fili decorativi.

## REGOLAZIONE DELLA TENSIONE DEL FILO

Quando si ruota la manopola di tensione a parte crescente dei valori degli indicatori la tensione del filo aumenterà.

Quando si ruota la manopola di tensione verso decrescente dei valori degli indicatori la tensione del filo si abbasserà.

Controllare la tensione di ogni filamento su un campione di tessuto, con cui si intende lavorare.



Per eseguire la maggior parte delle operazioni regolatore può essere installato sul segno «4».

**△ NOTA:**

Se non si può scegliere la giusta tensione del filo, contattare per ulteriori illustrazioni che mostrano l'ordine di azione «in questo caso».

## TABELLA DI REGOLAZIONE DELLA TENSIONE (DUE AGHI ZIG ZAG)

A Rovescio

D Filo con ago destro

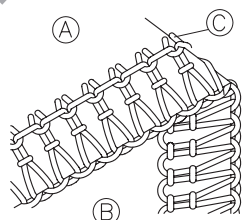
B In fronte

E Filo superiore

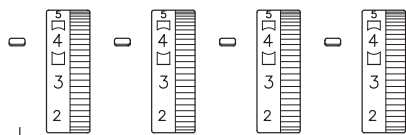
C Con il Filo a sinistra dell'ago

F Filo inferiore

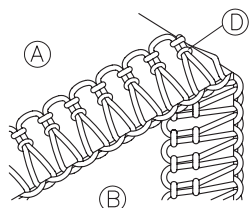




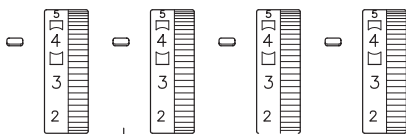
Insufficiente la tensione del filo a sinistra dell'ago



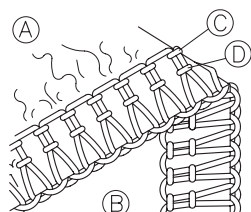
Aumentare la tensione del filo a sinistra dell'ago



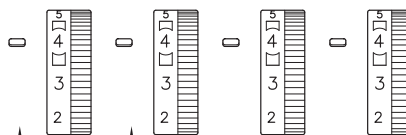
Insufficiente la tensione del filo a destra dell'ago



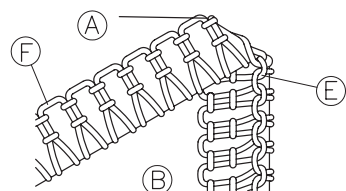
Aumentare la tensione del filo con un ago



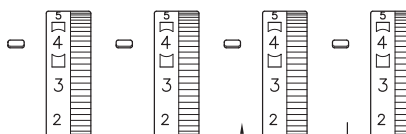
L'eccessiva tensione del filo a sinistra dell'ago



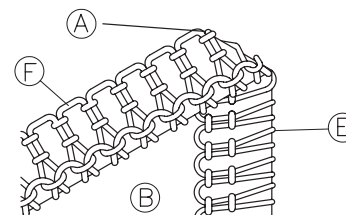
Allentare la tensione del filo a sinistra dell'ago



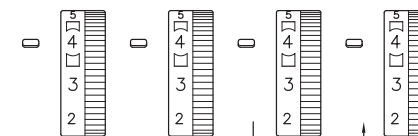
L'eccessiva tensione del filo superiore looper. Insufficiente tensione bobina inferiore



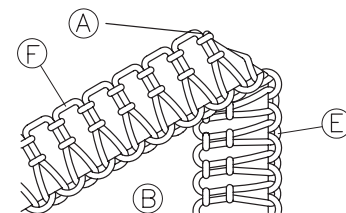
Allentare la tensione del filo superiore



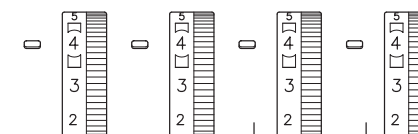
Insufficiente la tensione del filo. Eccessiva la tensione del filo del bobina



Aumentare la tensione del filo superiore looper

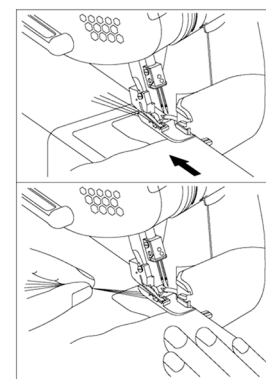


Insufficiente la tensione del filo superiore looper



Aumentare la tensione del filo bobina inferiore

## PROVA CUCITO



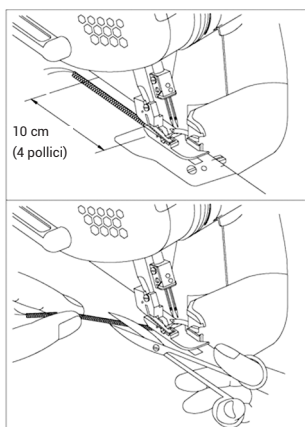
Dopo il corretto rifornimento dei fili è possibile procedere a cucire.

1. Sollevare il piedino e posizionare sotto un campione di tessuto. Abbassare il piedino e cominciare a lavorare. Non sollevare il piedino nel processo di lavoro overlock, altrimenti la cucitura sarà irregolare.
2. Prima di premere il pedale destro ruotare la ruota in senso antiorario, con questo, tenere premuta l'estremità del filo con la mano sinistra. Contemporaneamente controllare la

modalità di funzionamento.

3. Premere delicatamente sul pedale.

## L'ESECUZIONE DI CATENELLA

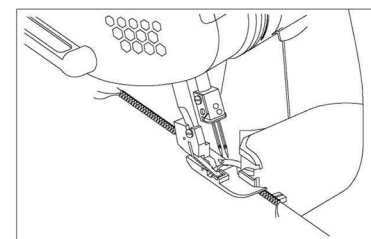


Dopo aver completato una prova di cucito, tenere premuto il pedale, per cucitura continua oltre il bordo del tessuto di circa 10 cm (4 pollici). Macchina esegue automaticamente la catena.

- Se non è uniforme vuol dire che la tensione dei fili di cucitura è errata. In questo caso, tenendo l'estremità del filo con la mano, verificare il corretto rifornimento filo e regolare la tensione. Dopo la regolazione catena di cucitura viene eseguita bene.

## ROTTURA DEL FILO DURANTE LA CUCITURA

- In caso di rottura del filo durante il funzionamento è necessario rimuovere il tessuto da sotto il piedino, dopo di che eseguire il rifornimento di filo nel giusto ordine:
  1. Mettere il top bobina, bobina inferiore e l' ago destro.
  2. Poi infilare l'ago sinistro, dopo di che posizionare il tessuto sotto piedino per raggiungere il luogo di rottura del filo così dove rimangono 3-5 cm.
  3. Continuare il lavoro.



### △ NOTA:

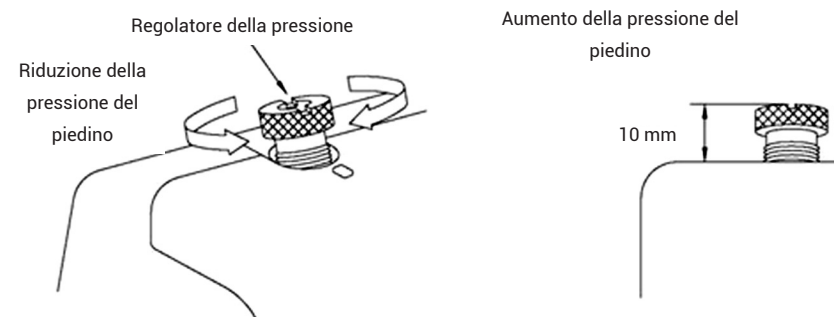
Non tentare di tirare il tessuto sotto il piedino premistoffa nel processo di cucitura, così come a seguito di tali azioni ago si piega, o si rompe.

## REGOLAZIONE DELLA PRESSIONE DEL PIEDINO PREMISTOFFA

- La pressione del piedino premistoffa in tessuto originale regolato per lavorare con i tessuti di tipo medio.
- A seconda del tipo di tessuto è possibile modificare la pressione piedino con vite di regolazione.

Per lavorare con tessuti leggeri è necessario diminuire la pressione del piedino.

Per lavorare con tende e tessuti spessi è necessario aumentare la pressione del piedino.

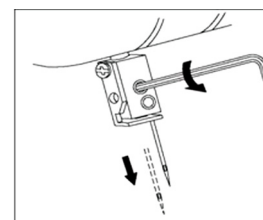


## MALFUNZIONAMENTI E TECNICHE PER LA LORO RISOLUZIONE

PROBLEMA	CAUSA	METODO DI ELIMINAZIONE
La macchina non muove il tessuto	Debole pressione piedino premistoffa il panno	Aumenta la pressione zampe sul tessuto ruotando vite di regolazione
Ago rotto	<ol style="list-style-type: none"> <li>L'ago è piegato, o la punta di un ago smussato</li> <li>L'ago è installato in modo errato</li> <li>La forzatura del il tessuto durante il processo di cucito</li> </ol>	<ol style="list-style-type: none"> <li>Cambiare l'ago</li> <li>Inserire correttamente l'ago morsetto</li> <li>Cucendo con cura guidare il tessuto con entrambe le mani</li> </ol>
Filo rotto	<ol style="list-style-type: none"> <li>L'inserimento del filo errato</li> <li>Il filo è aggrovigliato</li> <li>La tensione del filo troppo forte</li> <li>L'ago è installato In modo errato</li> <li>La scelta dell'ago sbagliato</li> </ol>	<ol style="list-style-type: none"> <li>Rifornire la macchina correttamente</li> <li>Controllare l'asta con bobina guidafile e rimuovere ringhio</li> <li>Regolare tensione del filo</li> <li>Inserire l'ago morsetto</li> <li>Usare il consigliato</li> </ol>

Salta i punti	<ol style="list-style-type: none"> <li>Игла погнута, или острие иглы затупилось</li> <li>Игла установлена неправильно</li> <li>Неправильно подобрана игла</li> <li>Неправильно заправлена нить</li> <li>Слабое давление прижимной лапки на ткань</li> </ol>	<ol style="list-style-type: none"> <li>Cambiare l'ago</li> <li>Inserire correttamente l'ago morsetto</li> <li>Usare consigliato aghi</li> <li>Rifornire la macchina correttamente</li> <li>Ruotare vite di regolazione senso orario per aumentare pressione del piedino premistoffa il panno</li> </ol>
Punti irregolare	Sbagliato tensione del filo	Regolare tensione del filo
Tessuto inceppato	<ol style="list-style-type: none"> <li>Troppo forte tensione del filo</li> <li>Il filo messo in modo sbagliato</li> </ol>	<ol style="list-style-type: none"> <li>Ridurre tensione del filo lavorando tessuti leggeri</li> <li>Elimina tutti i fili aggrovigliati e rifornire la macchina correttamente</li> </ol>

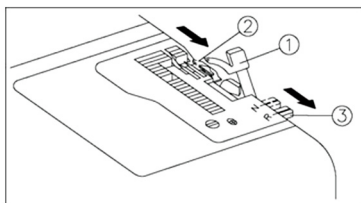
## CUCITURA DI RUOLO E A TAGLIO



Cuciture orlate arrotolate e strette ideale per lavorare con materiali sottili come georgette, crepe de Chine, seta, ecc.

- Sollevare il piedino premistoffa.
- Rimuovere l'ago sinistro.

- Infilare l'ago destro per cucire a 3 fili punto overlock. Quindi spostare la leva del cambio le guide del meccanismo di avanzamento del tessuto in posizione "R".



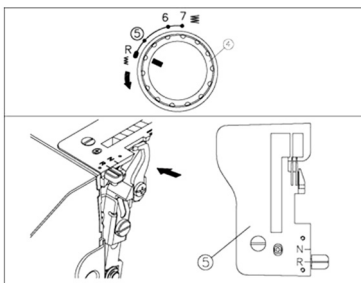
**△ NOTA:**  
Prima di fare lo standard cucitura overlock, assicurarsi che la fascia è montata giusto.

- Bobina superiore.

- La fascia del meccanismo di avanzamento del tessuto.

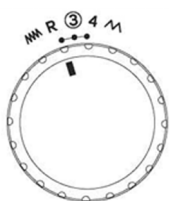
- Leva della fascia.

- Impostare la larghezza del punto richiesta per la cucitura orlo arrotolato. Spostare la manopola di regolazione della larghezza cucitura accanto alla copertina anteriore del punto overlock posizione "R".



- Regolatore per la larghezza del punto.

- Placca ago con la fascia.



- Posizionare la manopola della lunghezza del punto sul segno "R" come mostrato nell'illustrazione.

## CUCITURA STRETTA A TAGLIO

Regolare la tensione del filo come mostrato di seguito raccomandazioni:

- Tensione del filo nella bobina superiore - 4-6
- Tensione del filo della bobina inferiore - 4-6
- Tensione del filo dell'ago destro - 4-6

Le impostazioni possono variare leggermente a seconda del tipo di tessuto e filo usato.

## ARROTOLATO SOTTO CUCITURA

Regolare la tensione del filo come mostrato di seguito raccomandazioni:

- Tensione del filo nella bobina superiore - 4-6
- Tensione del filo nella bobina inferiore - 5-7
- Tensione del filo dell'ago destro - 4-6

La tensione può variare leggermente a seconda del tipo di tessuto e filo usato.

## TABELLA DI CAMPIONE RUOLO E STRETTO CUCITURE TAGLIATE

	OVERLOCK STRETTO	NUOVA CUCITURA
Tipo di punto	Rovescio	Rovescio

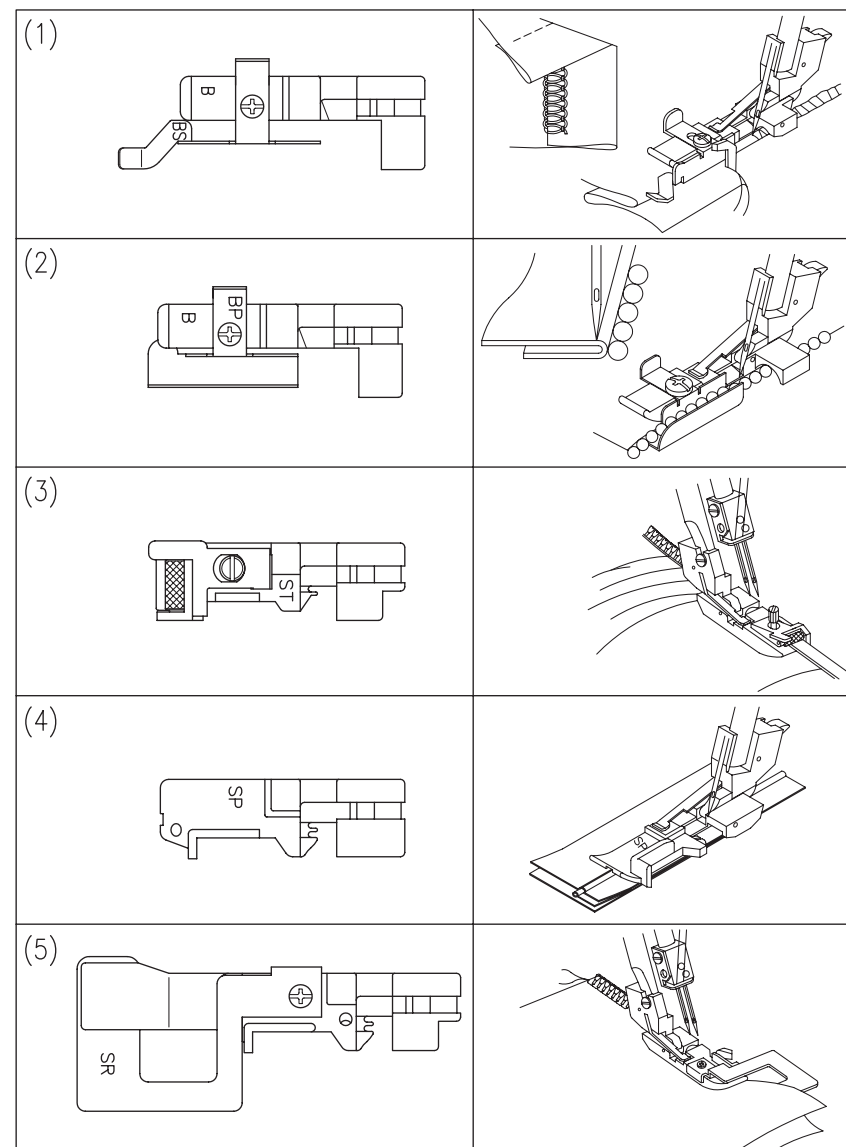
Tipo di tessuto	Tessuti leggeri in crepe de Chine organza di lino georgette	Tessuti leggeri in crepe de Chine organza di lino georgette
Filo dell'ago	Filo di nylon №50 - №100 Fili di poliestere № 50 - № 100	Fili di nylon №100 Fili di poliestere №100
Filo superiore looper	Fili combinati lana e nylon Fili di nylon №100 Fili di poliestere №100	Fili combinati lana e nylon Fili decorativi
Filo inferiore	Filo di nylon №50 - №100 Fili di poliestere №50 - №100	Filo di nylon №100 Fili di poliestere №100
Lunghezza del punto	R	R
Larghezza punto	R.5 (due aghi overlock)	R.5 (due aghi overlock)
Tensione del filo	4(4-6)	4 (4-6)
Filo dell'ago	5(4-6)	4 (4-6)
Filo superiore	4 (4-6)	6 (5-7)
filo della bobina		
Bobina inferiore		

## L'UTILIZZO DI DIVERSI TIPI DI PRESSIONE DEL PIEDINO

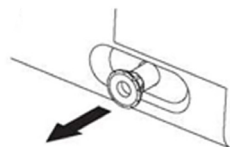
1. Piedino per punto invisibile / cucitura di testa
2. Piedino con perline / paillettes
3. Piedino per punto elastico

## 4. Piedino per rilegatura

## 5. Piedino di raccolta



## RIMOZIONE DEL COLTELLO SUPERIORE



Per lavorare su un overlock senza il taglio del tessuto, spostare la leva posizione del coltello superiore, dalla tacca 1 per segnare 2, e il coltello superiore no utilizzato nel lavoro.

## SOSTITUZIONE DEL COLTELLO

Un coltello smussato deve essere sostituito.

### △ NOTA:

Scollegare la tagliacuci dal cavo di alimentazione dalla presa.

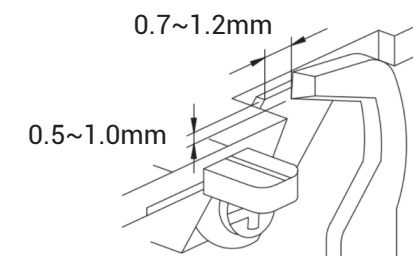
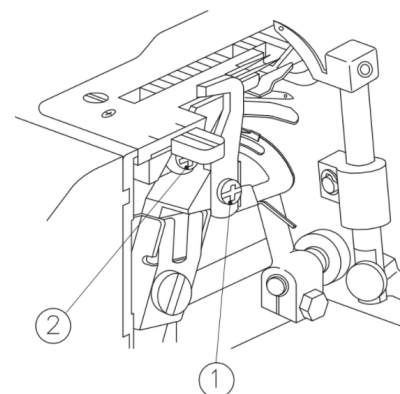
## SOSTITUZIONE DEL COLTELLO SUPERIORE

- Rimuovere il coperchio superiore e sollevare il coltello superiore all'estremo prima posizione.
- Allentare la vite che fissa il coltello superiore e rimuovere il coltello.
- Posiziona un nuovo coltello nel supporto.
- Stringere la vite che fissa il coltello superiore.

**REGOLARE LA POSIZIONE DEL COLTELLO SUPERIORE COSÌ PER IL BORDO DELLA LAMA SUPERIORE SU PROGETTO DA 0,5-1,0 MM PER IL BORDO DEL COLTELLO INFERIORE.**

## SOSTITUZIONE DEL COLTELLO INFERIORE

- Allentare la vite che fissa il coltello inferiore e rimuovere il coltello.
  - Posiziona un nuovo coltello nel supporto.
  - Il coltello inferiore deve essere installato in modo che il bordo della lama sta allo stesso livello del filo.
  - Stringere la vite che fissa il coltello inferiore.
1. Vite di fissaggio del coltello superiore.
  2. Vite per il fissaggio del coltello inferiore.



## IL CONVERTITORE DEL CROCHET SUPERIORE PER ESEGUIRE IL SOPRAGGITTO A 2 FILI

### △ Attenzione!

Per rimuovere o sostituire il convertitore e' necessario staccare il dispositivo dalla presa di corrente.

### USO DEL CONVERTITORE

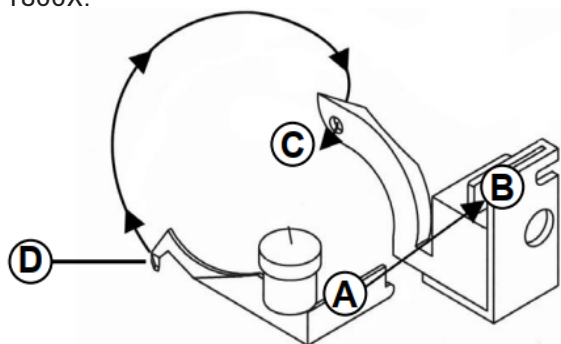
- 1) Aprire il coperchio anteriore ed alzare l'ago nella posizione massima superiore.
- 2) Spostare la piastra (A) del convertitore nella scanalatura (B) ed infilare l'estremità del convertitore (D) nel foro del crochet superiore (C).

### RIMOZIONE DEL CONVERTITORE:

Tirare l'estremità del convertitore (D) dal foro del crochet superiore (C) ed estrarre il convertitore dalla scanalatura (B).

Nota: Se il convertitore non viene usato tenerlo nella scatola degli accessori.

Il convertitore è previsto soltanto per il modello EFFEKTIV Triumphator 1800X.



### PULIZIA E LUBRIFICAZIONE

Per prestazioni ottimali della macchina, è necessario periodicamente pulire e lubrificare.

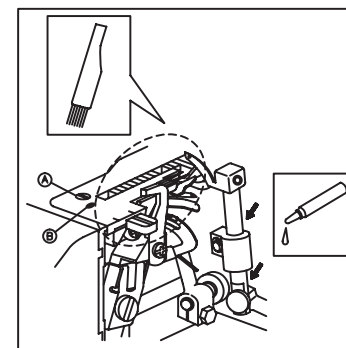
**PRIMA DI CURARE LA MACCHINA SCOLLEGARE SEMPRE ALL'ALIMENTAZIONE ELETTRICA TOGLIENDO IL CAVO DI ALIMENTAZIONE FUORI DALLA PRESA!**

1. Rimuovere il coperchio anteriore.
2. Applicare una goccia di olio per macchine da cucire nei punti indicati dalle frecce.

**USARE SEMPRE SOLO OLIO PER MACCHINE DA CUCIRE DI BUONA QUALITÀ. QUANDO SI UTILIZZA SPESSO LA LUBRIFICAZIONE DEVE ESSERE EFFETTUATA UNA VOLTA ALLA SETTIMANA!**

#### PULIZIA

1. Utilizzare una spazzola per pulire la placca dell'ago.
2. Allentare la vite A. Rimuovere la piastrina di cucitura.

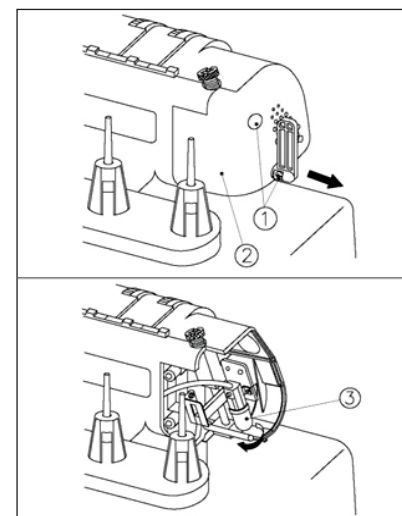


- Vite B. Solo per riparazione e impostazioni overlock. Non indebolire e non rimuovere questa vite.

### SOSTITUZIONE DELLA LAMPADINA

Scollegare l'unità prima di rimuovere il coperchio della lampada dalla rete scollegando la spina di alimentazione dalla presa.

- Allentare la vite di fissaggio della leva del piedino premistoffa, sollevare la leva di sollevamento del piedino premistoffa e rimuoverlo dalla macchina.
- Allentare la vite che fissa il coperchio della lampada e rimuoverlo



coperchio come mostrato nella figura sotto.

- Allentare la vite che fissa il cappuccio della lampada, tirare il cappuccio su e rimuoverlo.
  - Rimuovere la retroilluminazione e avvitare uno nuovo.
1. Vite di fissaggio leva piedino premistoffa.
  2. Coperchio protettivo della lampada.
  3. Vite di fissaggio del tappo lampade.

## INFORMAZIONI TECNICHE

Progettato per funzionare	Con tessuti che vanno da leggeri ai densi
Velocità di lavoro	1200 punti al minuto
Lunghezza punto (passo)	1,1 - 4 mm (3/64 - 5/32 pollici)
Larghezza punto (gradino)	2,3 - 7,0 mm (5/64 - 9/32 pollici)
Piedino premistoffa	Piedino sostituibile
Alzare il piedino premistoffa	5-6 mm (3/16 - 15/64 pollici)
Corsa della barra dell'ago	25 mm (1 pollice)
Ago	HAX1
Numero di aghi e fili	Ricostruzione di tre - o quattro - punto filo. Lavorare con due aghi o un ago
Peso netto della macchina	7,0 kg.
Un set di aghi Hax1	N. 80 (2), N. 90 (2)
Modello	<b>TRIUMPHATOR 1700X / 1800 X</b>

## ALTRE INFORMAZIONI:

### DISPOSIZIONE

Per smaltire questo prodotto, si consiglia di non buttarlo via insieme ai normali rifiuti domestici. Impedire impatto potenzialmente negativo sull'ambiente seguire le procedure per il trattamento, lo smaltimento e il riciclaggio di prodotti elettronici usati.

In caso di reclami in garanzia, contattare centri di assistenza consigliati.

## TABELLA IMPOSTAZIONE TIPO DI PUNTO



N°	Nome cucito	Tensione			
		I	II	III	IV
1•	Flatlock a 2 aghi 3 fili	1	1	-	8
2•	Di ruolo 2 fili	-	4	-	4
3•	2 fili stretto	-	4	-	4
4•	2 fili largo Flatlock	1	-	-	8
5•	2 fili largo raccolto	4	-	-	4
6•	2 fili largo	4	-	-	4
7•	3 fili largo raccolto	4	4	-	4
8•	3 fili 2 aghi	4	4	-	4
9	3 fili di ruolo	-	4	4	4
10	3 fili stretto Flatlock	-	0	1	8
11	3 fili stretto denso	-	4	4	4
12	3 fili stretto raccolto	-	4	4	4
13	3 fili stretto	-	4	4	4
14	3 fili largo Flatlock	0	-	1	8
15	3 fili largo denso	4	-	4	4
16	3 fili largo raccolto	4	-	4	4
17	3 fili largo	4	-	4	4
18	4 fili denso	4	4	4	4
19	4 fili con raccolta	4	4	4	4
20	4 fili	4	4	4	4

Lunghezza	Larghezza	Differenza della presentazione	Spargitore	Convettore
2-4	5-7	1	N	+
R	R	1	R	+
2-4	5-7	1	N	+
2-4	5-7	1	N	+
2-4	5-7	2	N	+
2-4	5-7	1	N	+
2-4	5-7	2	N	+
2-4	5-7	1	N	+
R	R	1	R	-
2-4	5-7	1	N	-
R	5-7	1	N	-
2-4	5-7	2	N	-
2-4	5-7	1	N	-
2-4	5-7	1	N	-
R	5-7	1	N	-
2-4	5-7	2	N	-
2-4	5-7	1	N	-
R	5-7	1	N	-
2-4	5-7	2	N	-
2-4	5-7	1	N	-

• I numeri di cucitura da 1 a 8 sono disponibili solo per Triumphator 1800X



## TRIUMPHATOR 1700X / 1800X

 [www.effektiv.ie](http://www.effektiv.ie)     [info@effektiv.ie](mailto:info@effektiv.ie)



Printed in EU / Напечатано в Евросоюзе